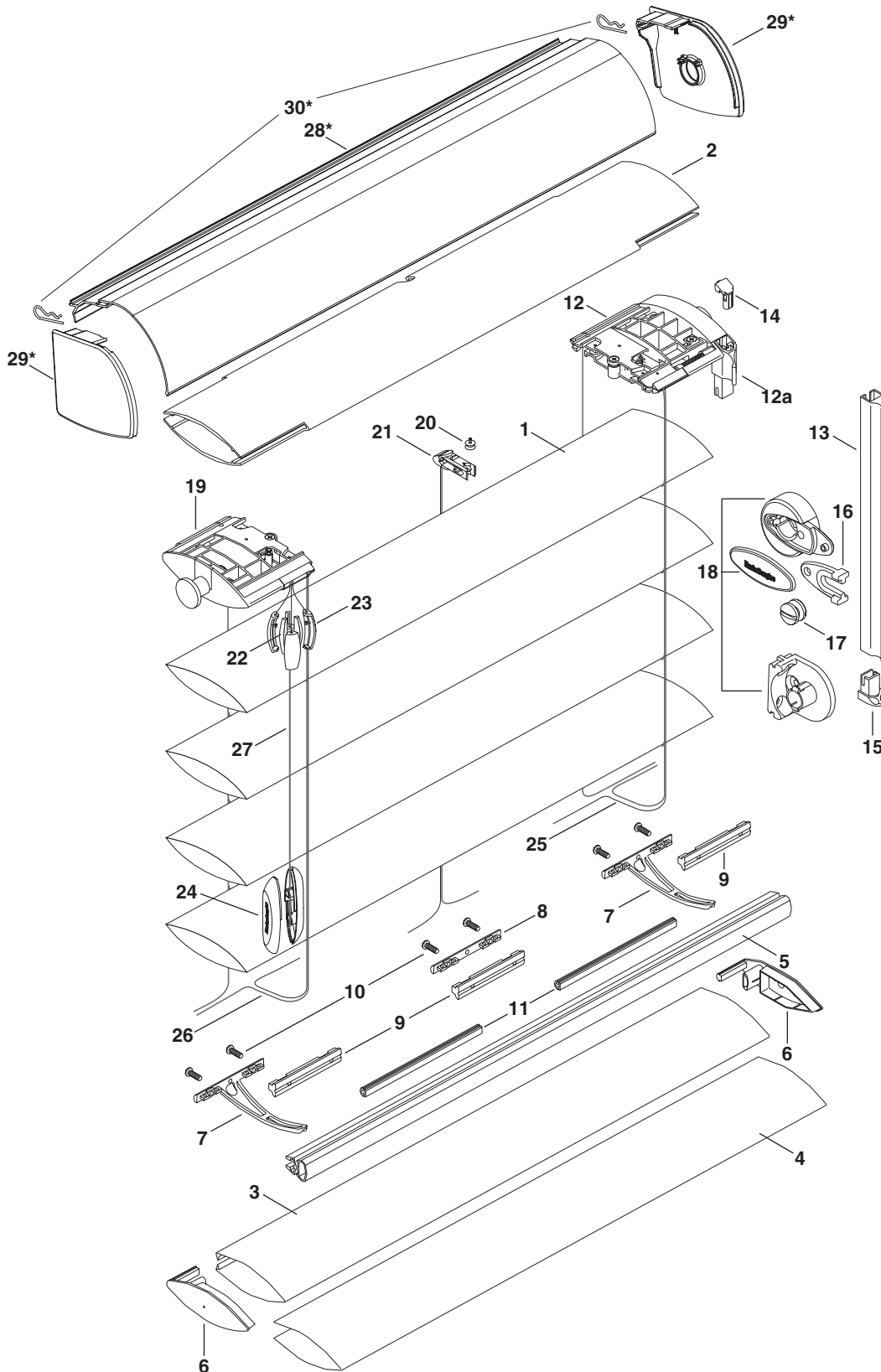


Bar-Cord System (BCS)



Standard Parts

1. Louver
2. Headrail
3. Bottom Rail Cover
4. Bottom Rail Louver Insert
5. Bottom Rail Extrusion
6. Bottom Rail End Cap
7. Bottom Rail Cradle
8. Rear Cord Attachment
9. Bottom Rail Cradle Back
10. Button Head Screw
11. Bottom Rail Filler
12. Bar Tilt End Cap Assembly
- 12a. Control Bar Connector
13. Tilt Bar
14. Tilt Bar Top End Cap Cover
15. Tilt Bar Bottom End Cap
16. Cam Lock Anchor
17. Cam Lock
18. Pivot Arm Bracket Assembly
19. Cordlock End Cap Assembly
20. Cord Guide Pulley
21. Read Cord Guide
22. Lift Cord Connector Post
23. Lift Cord Connector Segment
24. Lift Cord Tassel
25. Lift Cord
26. Ladder Cord
27. Tassel Cord

Covered Valance Assembly - Optional*

- 28*. Covered Valance
- 29*. Covered Valance Endcap
- 30*. Retainer Clip

Bar-Cord System (BCS)

No.	PCN	Description
1.	N/A	Louver - Clair or Clair de Lune™
2.	4312001xxx	Headrail
3.	4315001000	Bottom Rail Cover
4.	N/A	Bottom Rail Lower Insert - Clair or Clair de Lune™
5.	4312004xxx	Bottom Rail Extrusion
6.	4313008xxx	Bottom Rail End Cap
7.	4313019xxx	Bottom Rail Cradle
8.	4313001xxx	Rear Cord Attachment
9.	4313022000	Bottom Rail Cradle Back
10.	4315026000	Button Head Screw
11.	4313023000	Bottom Rail Filler
12.	4314116AAA	Bar Cord End Cap Assembly - RH Tilt (AAA = 320, 328, 661, 785 & 862)
	4314117AAA	Bar Cord End Cap Assembly - LH Tilt (AAA = 320, 328, 661, 785 & 862)
	4314118YYY	Universal Bar Assembly - RH Tilt (YYY = 134, 247, 251, 345, 554, 669, 674, 885 & 895)
	4314119YYY	Universal Bar Assembly - LH Tilt (YYY = 134, 247, 251, 345, 554, 669, 674, 885 & 895)
12a.	4313046xxx	Control Bar Connector - RH
	4313047xxx	Control Bar Connector - LH
13.	4312002xxx	Tilt Bar
14.	4313006xxx	Tilt Bar Top End Cap Cover
15.	4315130xxx	Tilt Bar Bottom End Cap - RH Tilt
	4315131xxx	Tilt Bar Bottom End Cap - LH Tilt
16.	4315008xxx	Cam Lock Anchor
17.	4313016xxx	Cam Lock
18.	4314123xxx	Pivot Arm Bracket Assembly - RH
	4314124xxx	Pivot Arm Bracket Assembly - LH
19.	4314101xxx	Cordlock End Cap Assembly - RH Tilt
	4314102xxx	Cordlock End Cap Assembly - LH Tilt
20.	4315004000	Cord Guide Pulley
21.	4313007xxx	Rear Cord Guide
22.	4313039xxx	Lift Cord Connector Post
23.	4313040xxx	Lift Cord Connector Segment
24.	4313024xxx	Lift Cord Tassel
25.	4316605100	Lift Cord .5mm
26.	4316601xxx	Ladder Cord
27.	4316604xxx	Tassel Cord 1.2mm
Covered Valance Assembly - Optional*:		
28*	N/A	Covered Valance Rail Extrusion
29*	4313060xxx	Covered Valance End Cap - RH
	4313061xxx	Covered Valance End Cap - LH
30*	4315031000	Retainer Clips

For shades wider than 72"

31. N/A Front Cord Guides (Not Shown)

For shades wider than 84"

32. 4313050xxx Center Headrail Support (Not Shown - pictured under Additional Hardware)
 33. 4313125xxx Center Support Install Kit (Not Shown - pictured under Additional Hardware)
 34*. 4312010661 Center Support Bracket for Covered Valance Assembly - White Only
 (Not Shown - pictured under Additional Hardware)

Additional Hardware:

(For pictures & specifics, see Alouette® Standard Additional Hardware)

4314110xxx Installation Bracket Assemblies (RH and LH) with four screws
 4315009xxx Universal Spacer Block
 4314120xxx Magnetic Hold-Down Bracket (Will also need Magnetic Bottom Rail Endcap Assembly)
 4314121xxx Magnetic Bottom Rail Endcap Assembly
 4315010xxx Read Hold-Down Spacer
 4313035xxx Hold-Down Bracket Side Spacer

Used only with the Covered Valance Assembly Option:

3400240000 Installation Bracket with Shim (2-bracket packet with screws)
 3400250000 Installation Bracket with Shim (3-bracket packet with screws)
 2930340000 Extension Bracket
 2930230000 Spacer Block

xxx = 3-digit color code