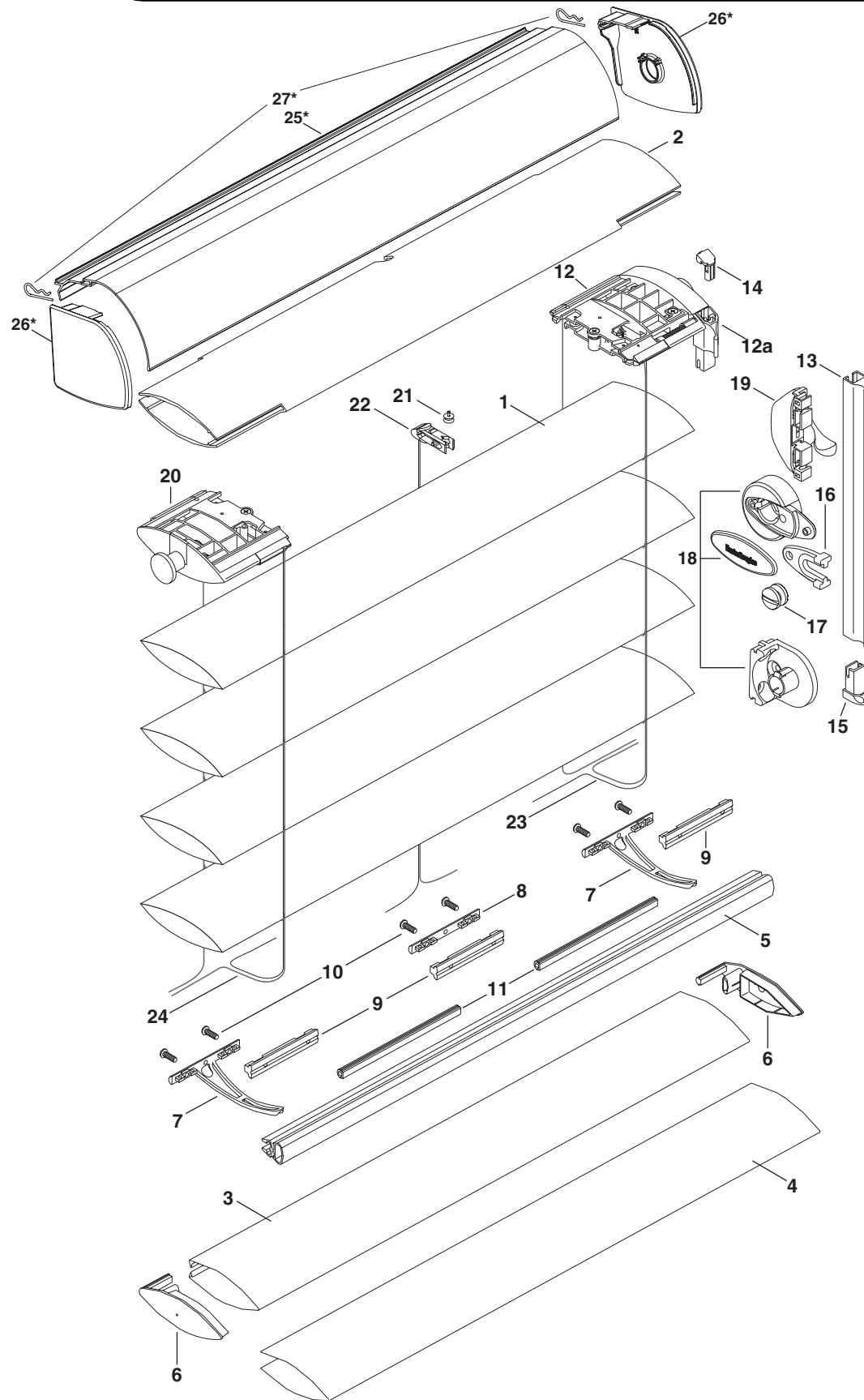


Bar-Tab System (BTS)



Standard Parts

1. Louver
 2. Headrail
 3. Bottom Rail Cover
 4. Bottom Rail Louver Insert
 5. Bottom Rail Extrusion
 6. Bottom Rail End Cap
 7. Bottom Rail Cradle
 8. Rear Cord Attachment
 9. Bottom Rail Cradle Back
 10. Button Head Screw
 11. Bottom Rail Filler
 12. Bar Tilt End Cap Assembly
 - 12a. Control Bar Connector
 13. Tilt Bar
 14. Tilt Bar Top End Cap Cover
 15. Tilt Bar Bottom End Cap
 16. Cam Lock Anchor
 17. Cam Lock
 18. Pivot Arm Bracket Assembly
 19. Lift Tab Assembly
 20. Passive End Cap Assembly
 21. Cord Guide Pulley
 22. Rear Cord Guide
 23. Lift Cord
 24. Ladder Cord
- Covered Valance Assembly - Optional*:**
- 25*. Covered Valance
 - 26*. Covered Valance Endcap
 - 27*. Retainer Clip

Bar-Tab System (BTS)

No.	PCN	Description
1.	N/A	Louver - CLair or Clair de Lune™
2.	4312001xxx	Headrail
3.	4315001000	Bottom Rail Cover
4.	N/A	Bottom Rail Louver Insert - Clair or Clair de Lune™
5.	4312004xxx	Bottom Rail Extrusion
6.	4313008xxx	Bottom Rail End Cap
7.	4313019xxx	Bottom Rail Cradle
8.	4313001xxx	Rear Cord Attachment
9.	4313022000	Bottom Rail Cradle Back
10.	4315026000	Button Head Screw
11.	4313023000	Bottom Rail Filler
12.	4314108AAA	Bar Tab End Cap Assembly - RH Tilt (AAA = 320, 328, 661, 785 & 862)
	4314109AAA	Bar Tab End Cap Assembly - LH Tilt (AAA = 320, 328, 661, 785 & 862)
	4314118YYY	Universal Bar Assembly - RH Tilt (YYY = 134, 247, 251, 345, 554, 669, 674, 885 & 895)
	4314119YYY	Universal Bar Assembly - LH Tilt (YYY = 134, 247, 251, 345, 554, 669, 674, 885 & 895)
12a.	4313046xxx	Control Bar Connector - RH
	4313047xxx	Control Bar Connector - LH
13.	4312002xxx	Tilt Bar
14.	4313006xxx	Tilt Bar Top End Cap Cover
15.	4315130xxx	Tilt Bar Bottom End Cap - RH Tilt
	4315131xxx	Tilt Bar Bottom End Cap - LH Tilt
16.	4315008xxx	Cam Lock Anchor
17.	4313016xxx	Cam Lock
18.	4314123xxx	Pivot Arm Bracket Assembly - RH
	4314124xxx	Pivot Arm Bracket Assembly - LH
19.	4314112xxx	Lift Tab Assembly - RH Tilt
	4314113xxx	Lift Tab Assembly - LH Tilt
20.	4314101xxx	Passive End Cap Assembly - RH Tilt
	4314102xxx	Passive End Cap Assembly - LH Tilt
21.	4315004000	Cord Guide Pulley
22.	4313007xxx	Rear Cord Guide
23.	4316605100	Lift Cord .5mm
24.	4316601xxx	Ladder Cord
Covered Valance Assembly - Optional*:		
25*	N/A	Covered Valance Rail Extrusion
26*	4313060xxx	Covered Valance End Cap - RH
	4313061xxx	Covered Valance End Cap - LH
27*	4315031000	Retainer Clips

Additional Hardware:

(For pictures & specifics, see Alouette® Standard Additional Hardware)

4314110xxx	Installation Bracket Assemblies (RH and LH) with four screws
4315009xxx	Universal Spacer Block
4314120xxx	Magnetic Hold-Down Bracket (Will also need Magnetic Bottom Rail Endcap Assembly)
4314121xxx	Magnetic Bottom Rail Endcap Assembly
4315010xxx	Read Hold-Down Spacer

Used only with the Covered Valance Assembly Option:

3400240000	Installation Bracket with Shim (2-bracket packet with screws)
3400250000	Installation Bracket with Shim (3-bracket packet with screws)
2930340000	Extension Bracket
2930230000	Spacer Block

xxx = 3-digit color code