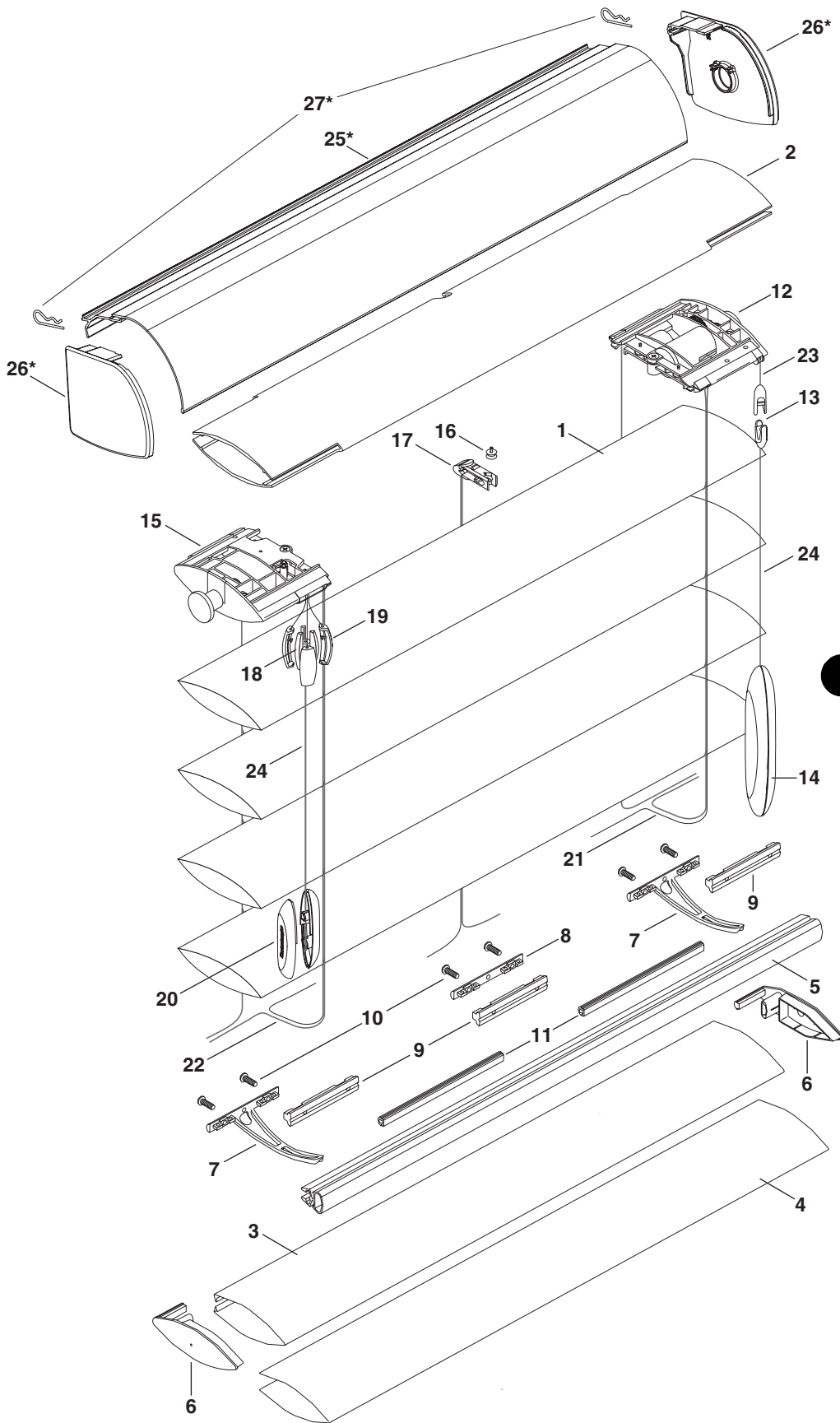


# Cord-Cord System (CCS)



## Standard Parts

1. Louver
2. Headrail
3. Bottom Rail Cover
4. Bottom Rail Louver Insert
5. Bottom Rail Extrusion
6. Bottom Rail End Cap
7. Bottom Rail Cradle
8. Rear Cord Attachment
9. Bottom Rail Cradle Back
10. Button Head Screw
11. Bottom Rail Filler
12. Cord Tilt End Cap Assembly
13. Tilt Cord Connector
14. Tilt Shuttle Assembly
15. Cordlock End Cap Assembly
16. Cord Guide Pulley
17. Rear Cord Guide
18. Lift Cord Connector Post
19. Lift Cord Connector Segment
20. Lift Cord Tassel
21. Lift Cord
22. Ladder Cord
23. Tilt Cord
24. Tassel Cord

## Covered Valance Assembly - Optional\*:

- 25\*. Covered Valance
- 26\*. Covered Valance Endcap
- 27\*. Retainer Clip

# Cord-Cord System (CCS)

<b>No.</b>	<b>PCN</b>	<b>Description</b>
1.	N/A	Louver - Clair or Clair de Lune™
2.	4312001xxx	Headrail
3.	4315001000	Bottom Rail Cover
4.	N/A	Bottom Rail Louver Insert - Clair or Clair de Lune™
5.	4312004xxx	Bottom Rail Extrusion
6.	4313008xxx	Bottom Rail End Cap
7.	4313019xxx	Bottom Rail Cradle
8.	4313001xxx	Rear Cord Attachment
9.	4313022000	Bottom Rail Cradle Back
10.	4315026000	Button Head Screw
11.	4313023000	Bottom Rail Filler
12.	4314105xxx	Cord Tilt End Cap Assembly - RH Tilt
	4314106xxx	Cord Tilt End Cap Assembly - LH Tilt
13.	4313020xxx	Tilt Cord Connector - Top
	4313021xxx	Tilt Cord Connector - Bottom
14.	4314107xxx	Tilt Shuttle Assembly
15.	4314101xxx	Cordlock End Cap Assembly - RH Tilt
	4314102xxx	Cordlock End Cap Assembly - LH Tilt
16.	4315004000	Cord Guide Pulley
17.	4313007xxx	Rear Cord Guide
18.	4313039xxx	Lift Cord Connector Post
19.	4313040xxx	Lift Cord Connector Segment
20.	4313024xxx	Lift Cord Tassel
21.	4316605100	Lift Cord .5mm
22.	4316601xxx	Ladder Cord
23.	4316603xxx	Tilt Cord .9mm
24.	4316604xxx	Tassel Cord 1.2mm

### **Covered Valance Assembly - Optional\*:**

25*	N/A	Covered Valance Rail Extrusion
26*	4313060xxx	Covered Valance End Cap - RH
	4313061xxx	Covered Valance End Cap - LH
27*	4315031000	Retainer Clips

For shades wider than 72"

28.	N/A	Front Cord Guides (Not Shown)
-----	-----	-------------------------------

For shades wider than 84"

29.	4313050xxx	Center Headrail Support (Not Shown - pictured under Additional Hardware)
30.	4313125xxx	Center Support Install Kit (Not Shown - pictured under Additional Hardware)
31*.	4312010661	Center Support Bracket for Covered Valance Assembly - White Only (Not Shown - pictured under Additional Hardware)

### **Additional Hardware:**

**(For pictures & specifics, see Alouette® Standard Additional Hardware)**

4314110xxx	Installation Bracket Assemblies (RH and LH) with four screws
4315009xxx	Universal Spacer Block
4314120xxx	Magnetic Hold-Down Bracket (Will Also Need Magnetic Bottom Rail Endcap Assembly)
4314121xxx	Magnetic Bottom Rail Endcap Assembly
4315010xxx	Read Hold-Down Spacer

### **Used only with the Covered Valance Assembly Option:**

3400240000	Installation Bracket with Shim (2-bracket packet with screws)
3400250000	Installation Bracket with Shim (3-bracket packet with screws)
2930340000	Extension Bracket (Also used for end mounting, <b>ONLY</b> available on the <b>CCS</b> system application)
2930230000	Spacer Block

xxx = 3-digit color code