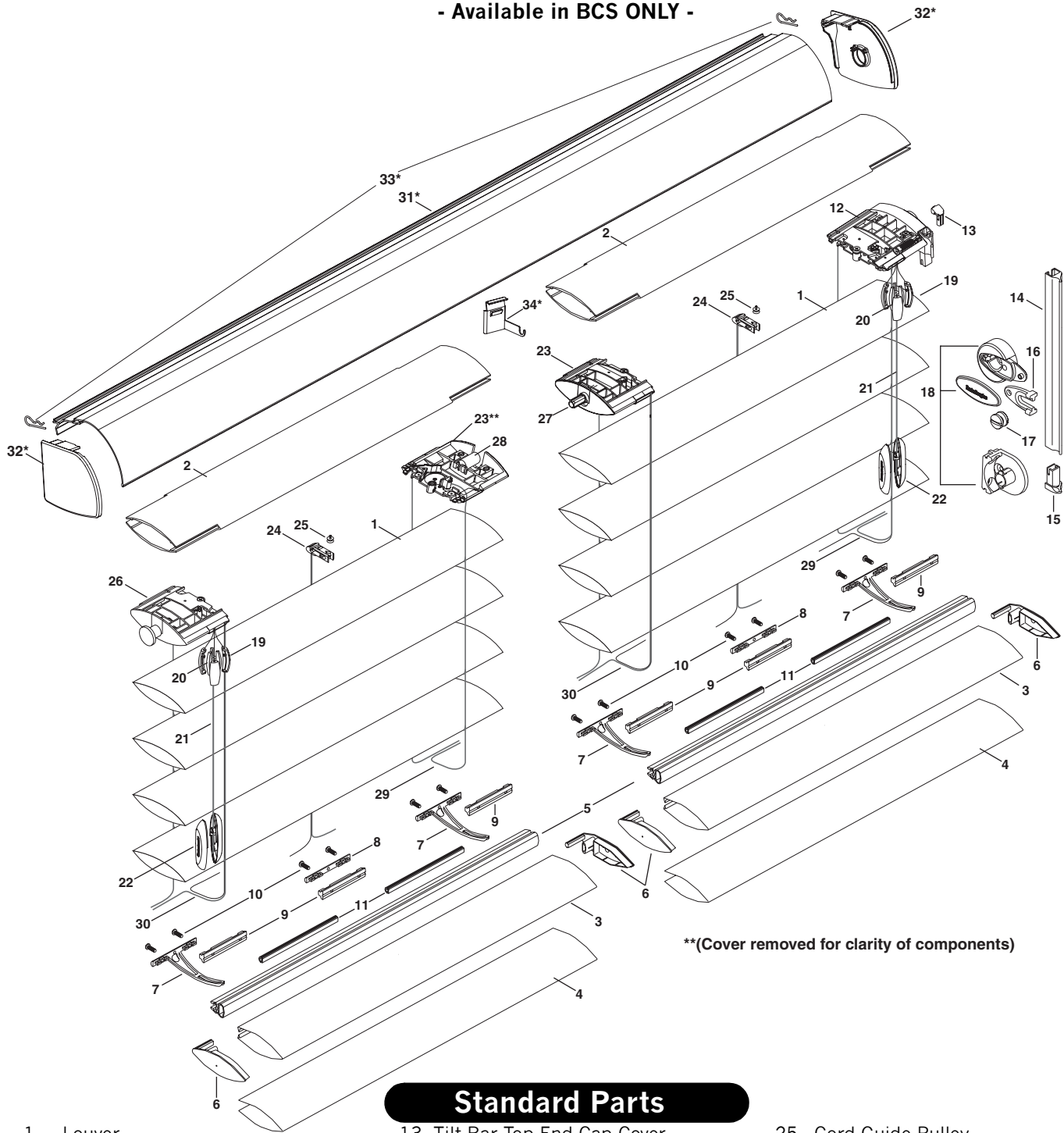


Tandem Side-By-Side System (TSBS)

- Available in BCS ONLY -



**(Cover removed for clarity of components)

Standard Parts

- | | | |
|-------------------------------|---------------------------------|--|
| 1. Louver | 13. Tilt Bar Top End Cap Cover | 25. Cord Guide Pulley |
| 2. Headrail | 14. Tilt Bar | 26. Cordlock End Cap Assembly |
| 3. Bottom Rail Cover | 15. Tilt Bar Top End Cap | 27. Male Connector |
| 4. Bottom Rail Lover Insert | 16. Cam Lock Anchor | 28. Female Connector |
| 5. Bottom Rail Extrusion | 17. Cam Lock | 29. Lift Cord |
| 6. Bottom Rail End Caps | 18. Pivot Arm Bracket Assembly | 30. Ladder Cord |
| 7. Bottom Rail Cradles | 19. Lift Cord Connector Segment | Covered Valance Assembly - Optional*: |
| 8. Rear Cord Attachment | 20. Lift Cord Connector Post | 31*. Covered Valance |
| 9. Bottom Rail Cradle Back | 21. Tassel Cord | 32*. Covered Valance Endcap |
| 10. Button Head Screw | 22. Lift Cord Tassel | 33*. Hairpin Clip |
| 11. Bottom Rail Filler | 23. Passive End Cap Assembly | 34*. Covered Valance Center Support Bracket |
| 12. Bar Tilt End Cap Assembly | 24. Rear Cord Guide | |

© 2006 Hunter Douglas Inc. ® Registered trademark of Hunter Douglas Inc.

™ Trademark of Hunter Douglas Inc. Patented in the U.S. and foreign countries. U.S. and foreign patents pending.

Revision: 09/05/06

Tandem Side-By-Side System (TSBS)

-Available in BCS ONLY-

No.	PCN	Description
1.	N/A	Louver - Clair or Clair de Lune™
2.	4312001xxx	Headrail
3.	4315001000	Bottom Rail Cover
4.	N/A	Bottom Rail Louver Insert - Clair or Clair de Lune™
5.	4312004xxx	Bottom Rail Extrusion
6.	4313008xxx	Bottom Rail End Caps
7.	4313019xxx	Bottom Rail Cradles
8.	4313001xxx	Rear Cord Attachment
9.	4313022000	Bottom Rail Cradle Back
10.	4315026000	Button Head Screw
11.	4313023000	Bottom Rail Filler
12.	4314118xxx	Bar Tilt End Cap Assembly - RH Tilt
	4314119xxx	Bar Tilt End Cap Assembly - LH Tilt
13.	4313006xxx	Tilt Bar Top End Cap Cover
14.	4312002xxx	Tilt Bar
15.	4315130xxx	Tilt Bar Top End Cap - RH Tilt
	4315131xxx	Tilt Bar Top End Cap - LH Tilt
16.	4315008xxx	Cam Lock Anchor
17.	4313016xxx	Cam Lock
18.	4314123xxx	Pivot Arm Bracket Assembly - RH
	4314124xxx	Pivot Arm Bracket Assembly - LH
19.	4313040xxx	Lift Cord Connector Segment
20.	4313039xxx	Lift Cord Connector Post
21.	4316604xxx	Tassel Cord 1.2mm
22.	4313024xxx	Lift Cord Tassel
23.	4314101xxx	Passive End Cap Assembly - RH
		(With no endcap pin & endcap pin spring - replace with female connector)
	4314102xxx	Passive End Cap Assembly - LH
		(With no endcap pin & endcap pin spring - replace with male connector)
24.	4313007xxx	Rear Cord Guide
25.	4315004000	Cord Guide Pulley
26.	4314101xxx	Cordlock End Cap Assembly - RH Tilt
	4314102xxx	Cordlock End Cap Assembly - LH Tilt
27.	4313048000	Male Connector
28.	4313049000	Female Connector
29.	4316605100	Lift Cord .5mm
30.	4316601xxx	Ladder Cord
Covered Valance Assembly - Optional*:		
31*	N/A	Covered Valance Rail Extrusion
32*	4313060xxx	Covered Valance End Cap - RH
	4313061xxx	Covered Valance End Cap - LH
33*	4315031000	Retainer Clips
34*	4312010661	Covered Valance Center Support Bracket
35.	4313125xxx	Center Support Install Kit (Not Shown - pictured under Additional Hardware)

Additional Hardware:

(For pictures & specifics, see Alouette® Standard Additional Hardware)

4314110xxx	Installation Bracket Assemblies (RH and LH) with four screws
4315009xxx	Universal Spacer Block

Used only with the Covered Valance Assembly Option:

3400240000	Installation Bracket with Shim (2-bracket packet with screws)
3400250000	Installation Bracket with Shim (3-bracket packet with screws)
2930340000	Extension Bracket
2930230000	Spacer Block

xxx = 3-digit color code