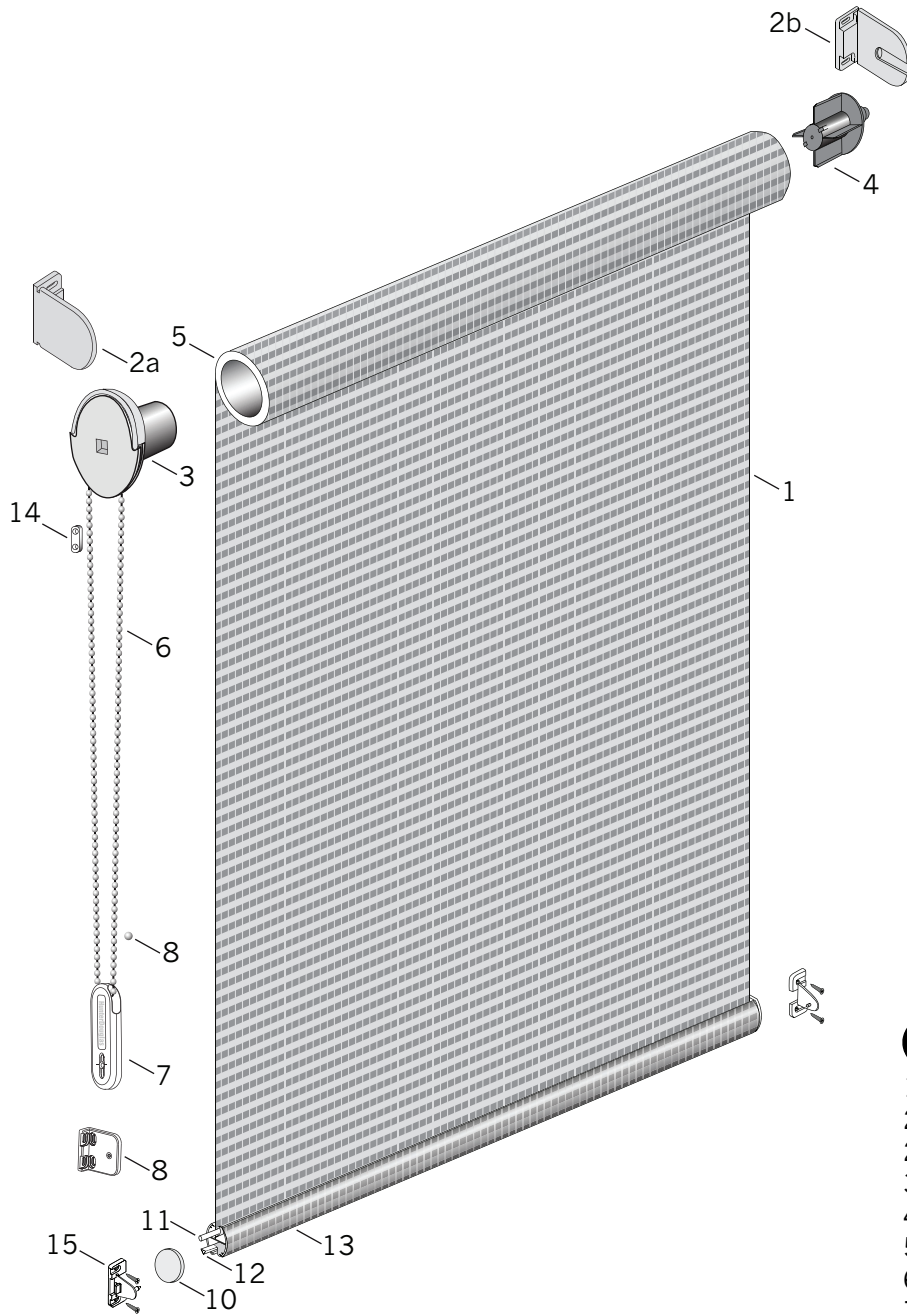


Roller Shade Clutch With Chelsea™



Standard Parts

- 1 Fabric
- 2a. Installation Bracket Control Side
- 2b. Installation Bracket End Plug Side
- 3. Clutch
- 4. End Plug
- 5 Tube with Tape
- 6 Bead Chain Loop
- 7 Universal Cord Tensioner
- 8 UCT Mounting Kit
- 9 Bead Stop
- 10 Flat Metal End Cap
- 11 Round Profile
- 12 Triangle Profile
- 13 Round Bottom Bar
- 14. Bead Chain Connector

Optional Parts

- 15. Hold-Down Brackets

Roller Shade Clutch With Chelsea™

No.	PCN	Description		
1.	RLWTxxx	Woven Textures® Fabric	11.	RC445086 Round Profile
2.	Installation Brackets		12.	RC445087 Triangle Profile
	RC101307	Chelsea™ Bracket Nickel	13.	Round Bottom Bar
	RC101499	Chelsea Bracket Antique Bronze		RC418307 Chelsea Round Bar Nickel
	RC101528	Chelsea Bracket Bronze Shimmer™		RC418492 Chelsea Round Bar Golden Brass
3.	Clutches			RC418528 Bronze Shimmer
	RC105307	Chelsea Clutch Nickel	14.	Bead Chain Connector
	RC105499	Chelsea Clutch Antique Bronze		RC469000 Clear
	RC105528	Chelsea Clutch Bronze Shimmer		444940 Nickel (Stainless Steel)
4.	RC121048	End Plug		RC135499 Antique Gold
5.	44491916	1⅛" Roller Shade Tube w/Tape	Optional Parts	
6.	Bead Chain Spools		15.	PC555270 Hold Down Brackets
	444904	Nickel (Stainless Steel)	Installation Instructions/Labels/Hang Tags	
	RC133499	Antique Gold	*	LIT888238 Alustra® Chelsea Roller Shade Installation Instructions
7.	Universal Cord Tensioner		*	LIT888238F Alustra Chelsea Roller Shade Installation Instructions French
	RC122730	Antique Gold	*	888105 Round Bar Warning Sticker (English/Spanish)
	RC122731	Nickel	*	7106858000 Round Bar Warning Sticker (English/French)
8.	UCT Mounting Kit		*	LIT888094 "Do Not Remove" Wrap
	4150228002	Outside Mounting Kit	*	7107685000 Tension Safety Devise Hang Tag
	4150228001	Flush Mounting Kit	*	5117000248 Alustra Carton Label
9.	Bead Stop		* These items are not shown.	
	444906	Nickel		
	RC134499	Antique Gold		
10.	RC415xxx	Chelsea Round Bar End Cap		

xxx = 3 digit color code.