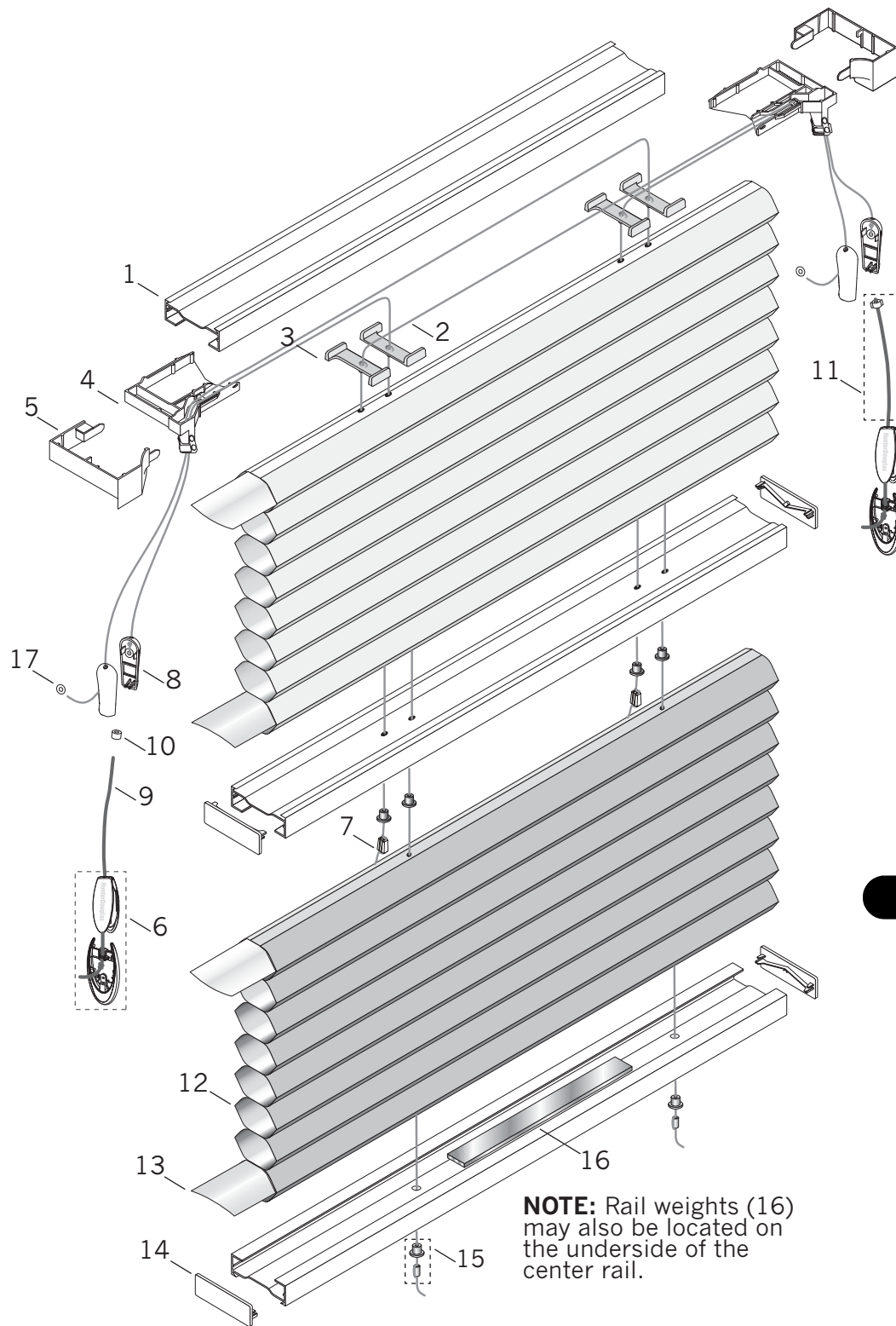


Applause® Cordlock Duolite™



NOTE: Rail weights (16) may also be located on the underside of the center rail.

Standard Parts

1. Headrail/Bottom Rail
2. Ultrawear® Cord
3. Cord Guide
4. Cordlock Body
5. Cordlock Cover
6. Designer Tassel
7. Cord Equalizer
8. Breakaway Cord Stop
9. Safety Tassel
10. Tassel Cord
11. Cord Collar
12. Tassel Cord With Collar Assembly
13. Fabric
14. Filler Strip
15. End Cap
16. Pocket & Ferrule
17. Rail Weight
18. Plastic Washer

Applause® Cordlock Duolite™

No.	PCN	Description
1.	Headrail/Center Rail/Bottom Rail 2950010xxx 2970010xxx	Rail/Bottom Rail 3/8" 3/4" & Double Honeycomb
2.	2680000000	0.9 mm Ultrawear™ Cord
3.	Cord Guide 2950100000 2970300000	3/8" 3/4" & Double Honeycomb
4.	Cordlock Body 2950094000 2950095000 2970094000 2970095000	RH (3/8") LH (3/8") RH (3/4" & Double Honeycomb) LH (3/4" & Double Honeycomb)
5.	Cordlock Cover 2950075xxx 2950085xxx 2970070xxx 2970080xxx	RH (3/8") LH (3/8") RH (3/4" & Double Honeycomb) LH (3/4" & Double Honeycomb)
6.	Designer Tassel 2931556xxx 2931555000	Cover Base
7.	2930220000	Cord Equalizer
8.	2932623xxx	Breakaway Cord Stop Safety Tassel
9.	2930320xxx	2.2 mm Tassel Cord
10.	Cord Collar 2980023000 2980023100	250 pcs. 5000 pcs.
11.	2.2 mm Tassel Cord With Collar Assembly 2931320xxx 2931360xxx	100 yds. 1000 yds.
12.	N/A	Fabric (3/8", 3/4" & Double Honeycomb)
13.	Filler Strip 2954000000 2974000000	3/8" 3/4" & Double Honeycomb
14.	End Cap 2950020xxx 2970020xxx	3/8" 3/4" & Double Honeycomb
15.	3200155xxx	Pocket & Ferrule
16.	2982028000	Rail Weight (used only if needed)
17.	2930130000	Plastic Washer

xxx = 3-digit color code