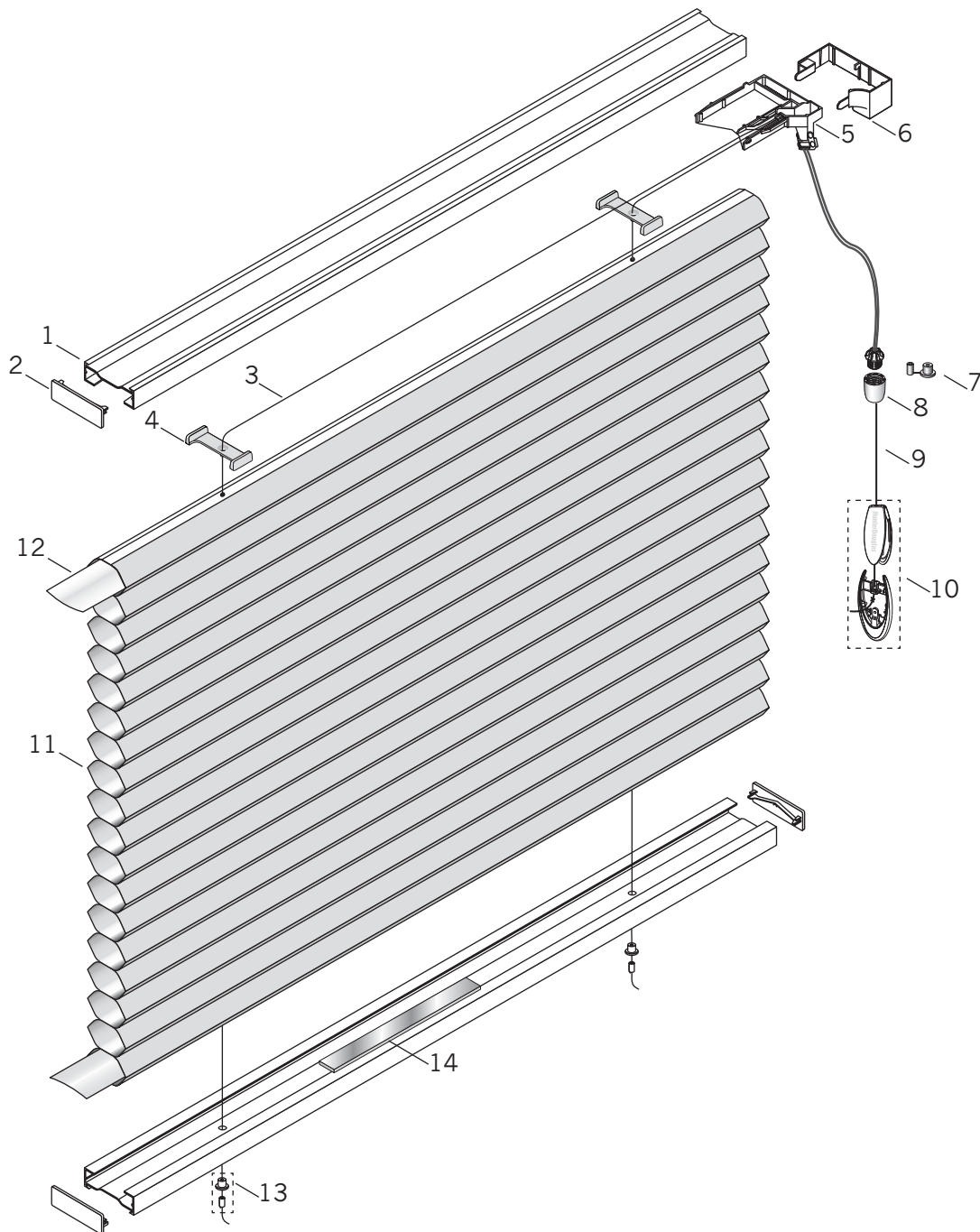


Applause® Cordlock Standard



Standard Parts

- | | | |
|-------------------------|-----------------------------|----------------------|
| 1. Headrail/Bottom Rail | 6. Cordlock Cover | 11. Fabric |
| 2. End Cap | 7. Clear Pocket and Ferrule | 12. Filler Strip |
| 3. Ultrawear® Cord | 8. Clear Stop Ball | 13. Pocket & Ferrule |
| 4. Cord Guide | 9. Tassel Cord | 14. Rail Weight |
| 5. Cordlock Body | 10. Designer Tassel | |

Applause® Cordlock Standard

No.	PCN	Description
1.	Headrail/Bottom Rail	
	2950010xxx	3/8"
	2970010xxx	3/4" & Double Honeycomb
2.	End Cap	
	2950020xxx	3/8"
	2970020xxx	3/4" & Double Honeycomb
3.	2680000000	0.9 mm Ultrawear® Cord
4.	Cord Guide	
	2950100000	3/8"
	2970300000	3/4" & Double Honeycomb
5.	Cordlock Body	
	2950094000	RH (3/8")
	2950095000	LH (3/8")
	2970094000	RH (3/4" & Double Honeycomb)
	2970095000	LH (3/4" & Double Honeycomb)
6.	Cordlock Cover	
	2950075xxx	RH (3/8")
	2950085xxx	LH (3/8")
	2970070xxx	RH (3/4" & Double Honeycomb)
	2970080xxx	LH (3/4" & Double Honeycomb)
7.	3200156000C	Clear Pocket and Ferrule (2-rout Shades Only)
8.	2930562000	Clear Stopball
9.	2930320xxx	2.2 mm Tassel Cord
10.	Designer Tassel	
	2931556xxx	Cover
	2931555000	Base
11.	N/A	Fabric (3/8", 3/4" & Double Honeycomb)
12.	Filler Strop	
	2954000000	3/8"
	2974000000	3/4" & Double Honeycomb
13.	3200155xxx	Pocket & Ferrule
14.	2982028000	Rail Weight (used only if needed)

xxx = 3-digit color code