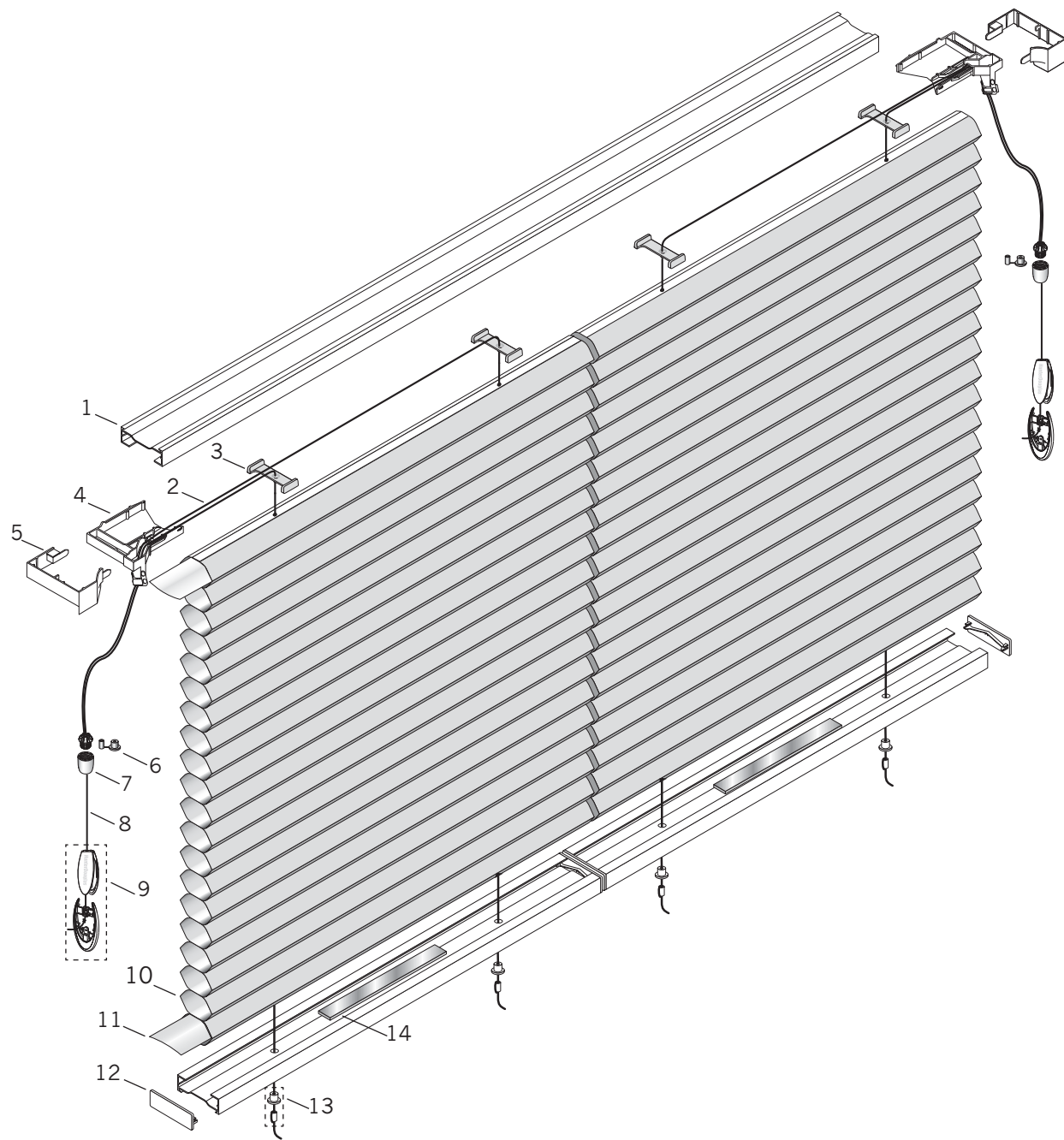


Applause® Cordlock Two-On-One Standard



Standard Parts

- | | | |
|-------------------------|-----------------------------|----------------------|
| 1. Headrail/Bottom Rail | 6. Clear Pocket and Ferrule | 11. Filler Strip |
| 2. Ultrawear® Cord | 7. Clear Stop Ball | 12. End Cap |
| 3. Cord Guide | 8. Tassel Cord | 13. Pocket & Ferrule |
| 4. Cordlock Body | 9. Designer Tassel | 14. Rail Weight |
| 5. Cordlock Cover | 10. Fabric | |

Applause® Cordlock Two-On-One Standard

No.	PCN	Description
1.	Headrail/Bottom Rail	
	2950010xxx	3/8"
	2970010xxx	3/4" & Double Honeycomb
2.	2680000000	0.9 mm Ultrawear® Cord
3.	Cord Guide	
	2950100000	3/8"
	2970300000	3/4" & Double Honeycomb
4.	Cordlock Body	
	2950094000	RH (3/8")
	2950095000	LH (3/8")
	2970094000	RH (3/4" & Double Honeycomb)
	2970095000	LH (3/4" & Double Honeycomb)
5.	Cordlock Cover	
	2950075xxx	RH (3/8")
	2950085xxx	LH (3/8")
	2970070xxx	RH (3/4" & Double Honeycomb)
	2970080xxx	LH (3/4" & Double Honeycomb)
6.	3200156000C	Clear Pocket and Ferrule (2-rout Shades Only)
7.	2930562000	Clear Stopball
8.	2930320xxx	2.2 mm Tassel Cord
9.	Designer Tassel	
	2931556xxx	Cover
	2931555000	Base
10.	N/A	Fabric (3/8", 3/4" & Double Honeycomb)
11.	Filler Strip	
	2954000000	3/8"
	2974000000	3/4" & Double Honeycomb
12.	End Cap	
	2950020xxx	3/8"
	2970020xxx	3/4" & Double Honeycomb
13.	3200155xxx	Pocket & Ferrule
14.	2982028000	Rail Weight (used only if needed)

xxx = 3-digit color code