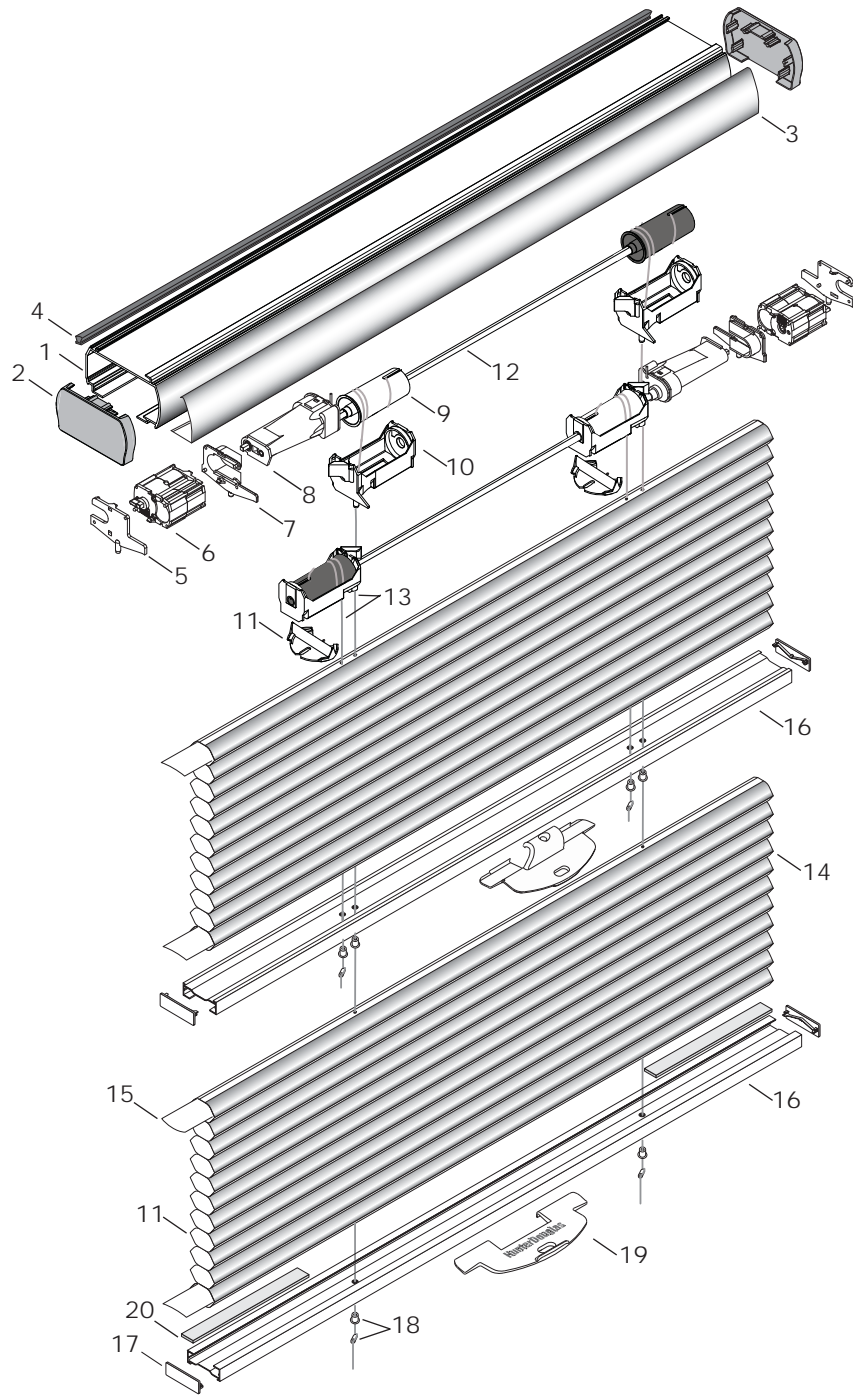


Applause® with LiteRise® - Duolite™



Standard Parts

- | | | |
|--------------------------------------|----------------------------------|-----------------------------------|
| 1. Common Headrail | 7. LiteRise Transmission Adaptor | 15. Filler Strip |
| 2. Common Headrail End Cap | 8. LiteRise Transmission | 16. Bottom Rail/Moving Rail |
| 3. Common Headrail Valance | 9. Common Lift Spool | 17. Bottom Rail End Cap |
| 4. Common Headrail Light-Block Strip | 10. Spool Housing | 18. Pocket & Ferrule |
| 5. Common Headrail Motor Support | 11. Spool Housing Adaptor | 19. Handle |
| 6. LiteRise® Motor | 12. V-Shaft | 20. Rail Weight - Optional |
| | 13. Cord | |
| | 14. Fabric | |

Applause® with LiteRise® - Duolite™

No.	PCN	Description
1.	2770002785	¾" Common Headrail
2.	2780049xxx	¾" Common Headrail End Cap, For Valance
3.	278900xxxx	Common Headrail Valance
4.	2780029000	Common Headrail Light-Block Strip
5.	2780038000	Common Headrail Motor Support
6.	LiteRise Motor	
	7300109000	Beige
	7300110000	Gray
	7300111000	Black
7.	2780043000	LiteRise Transmission Adaptor
8.	LiteRise Transmission	
	7300158000	Green
	7300159000	Blue
9.	Common Lift Spool	
	2780034000	Through Hole (White)
	2780072000	Rod Stop (Black)
10.	2780033000	Spool Housing
11.	2780031000	Spool Housing Adaptor (For ¾" Shades)
12.	2770004000	Steel V-Shaft
13.	2671000000	0.9 mm Cord
14.	N/A	¾" Applause Fabric
15.	2974000000	¾" Filler Strip
16.	2970010xxx	¾" Applause Bottom Rail (Also Used As Moving Rail)
17.	2970020xxx	¾" Applause Bottom Rail End Cap
18.	3200155xxx	Pocket & Ferrule
19.	7300341xxx	¾" Applause Handle
20.	2982028000	Rail Weight – Optional

xxx = 3-digit color code