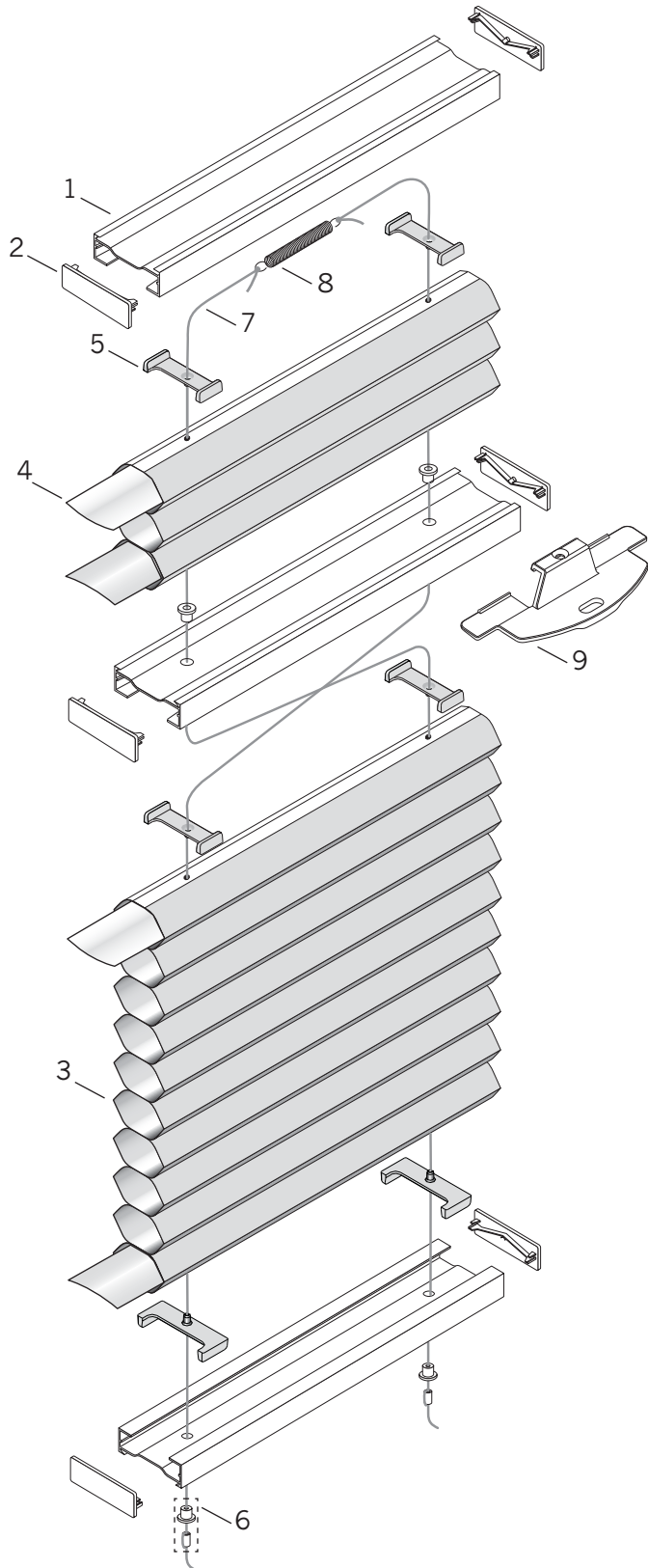


Applause® Operable Sidelight (Top-Down)



Standard Parts

1. Headrail
2. End Cap
3. Fabric
4. Filler Strip
5. Cord Guide
6. Pocket & Ferrule
7. Cord
8. Spring
9. Handle

Applause® Operable Sidelight (Top-Down)

No.	PCN	Description
1.	Headrail/Moving Rail/Bottom Rail	
	2950010xxx	3/8"
	2970010xxx	3/4"
2.	End Cap	
	2950020xxx	3/8"
	2970020xxx	3/4"
3.	N/A	Fabric (3/8" & 3/4")
4.	Filler Strip	
	2954000000	3/8"
	2974000000	3/4"
5.	Cord Guide	
	2950100000	3/8"
	2970300000	3/4"
6.	3200155xxx	Pocket/Ferrule
7.	2680000000	0.9 mm Ultrawear Cord
8.	2980321000	Spring
9.	Handle	
	7300380000	3/8"
	7300341000	3/4" rail

xxx = 3-digit color code