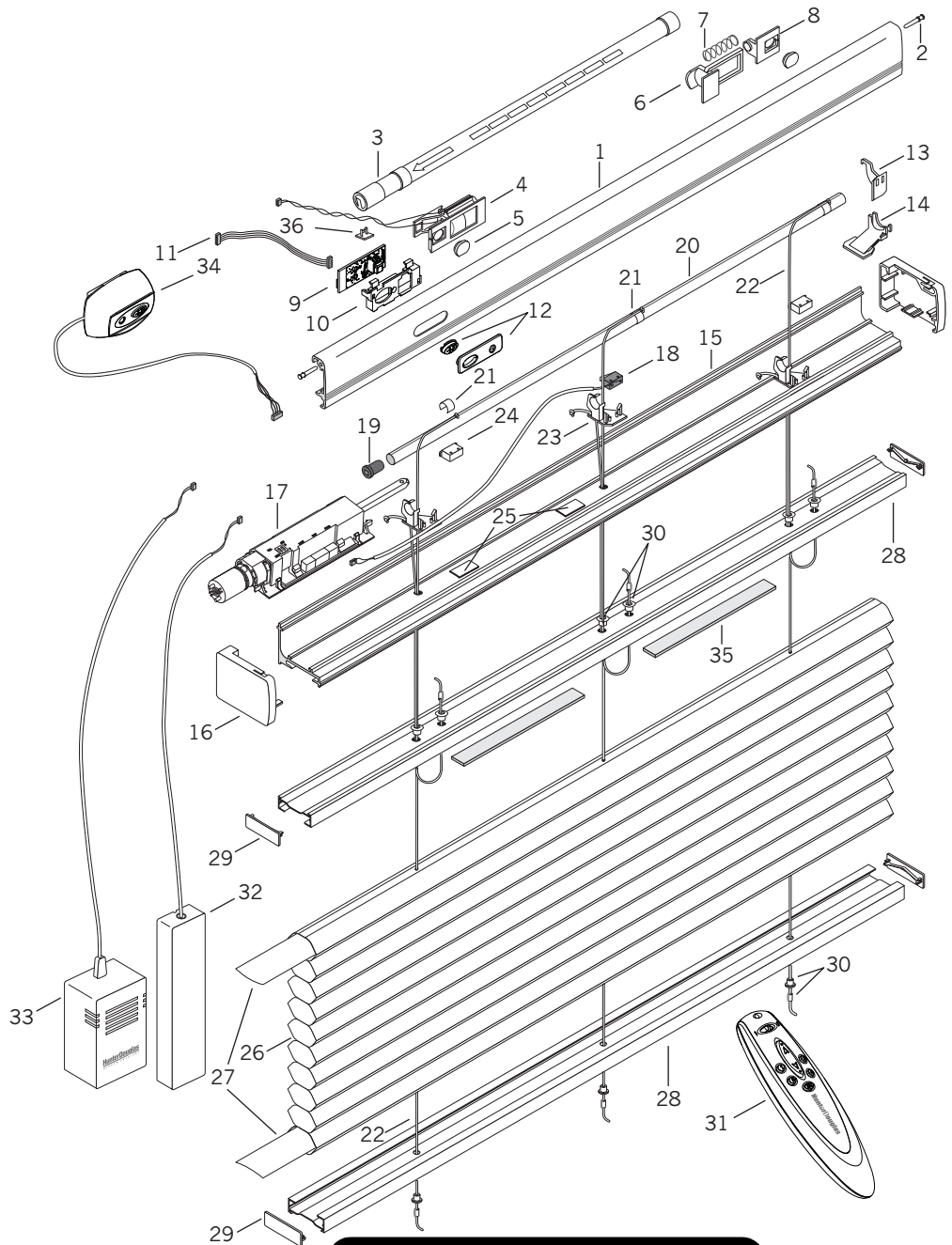


# Applause® PowerRise® With Platinum™ Technology



## Standard Parts

- |                                    |                                  |                                  |
|------------------------------------|----------------------------------|----------------------------------|
| 1. Cover Rail                      | 13. Cover Rail Lock              | 25. PowerRise Wire Cover         |
| 2. Cover Rail Hinge Pin            | 14. Cover Rail Support Bracket   | 26. Fabric                       |
| 3. Battery Wand                    | 15. Headrail                     | 27. Filler Strip                 |
| 4. Battery Bracket                 | 16. Headrail End Caps            | 28. Applause Bottom Rail         |
| 5. Spring Holder Pivot Lock        | 17. Motor Housing Assembly       | 29. Applause Bottom Rail End Cap |
| 6. Battery Tubing Holder           | 18. Limit Switch Cable Assembly  | 30. Pocket/Ferrule               |
| 7. Battery Spring                  | 19. Shaft Adaptor                | 31. IR/RF Remote Transmitter     |
| 8. Battery Spring Holder           | 20. One Groove Shaft             | 32. Satellite Battery Pack       |
| 9. IR/RF Reciever                  | 21. Cord Clip                    | 33. AC Transformer               |
| 10. Manual Switch Housing          | 22. 0.9 mm Cord                  | 34. IR/RF Satellite Eye          |
| 11. Internal IR/RF Satellite Cable | 23. Limit Switch Shaft Support   | 35. Duette Rail Weight           |
| 12. Manual Switch Button/Cover     | 24. Universal Plastic Cord Guard | 36. Wire Saddle                  |

# Applause® PowerRise® With Platinum™ Technology

| No. | PCN        | Description                            |     |            |                                       |
|-----|------------|--|-----|------------|---------------------------------------|
| 1.  | 2981103xxx | Cover Rail                             | 32. | 4153571000 | Satellite Battery Pack with 15" Cable |
| 2.  | 2981123000 | Cover Rail Hinge Pin                   |     | 4153572000 | Satellite Battery Pack with 4' Cable  |
| 3.  | 2981097000 | AA Battery Wand                        |     | 4153573000 | Satellite Battery Pack with 8' Cable  |
|     | 2981163000 | AAA Battery Wand                       |     |            |                                       |
| 4.  | 2981935000 | Battery Bracket Assembly LH            | 33. | 4251200000 | AC Transformer with 12' Cable         |
|     | 2981934000 | Battery Bracket Assembly RH            |     | 4251600000 | AC Transformer with 16' Cable         |
| 5.  | 2981043000 | Spring Holder Pivot Lock               |     | 4252500000 | AC Transformer with 25' Cable         |
| 6.  | 2981045000 | Battery Tubing Holder                  | 34. | 2980000203 | IR/RF Satellite Eye – 20" Cable       |
| 7.  | 2981046000 | Battery Spring                         |     | 2980000225 | IR/RF Satellite Eye – 4 ft. Cable     |
| 8.  | 2981044000 | Battery Spring Holder                  |     | 2980000226 | IR/RF Satellite Eye – 8 ft. Cable     |
| 9.  | 2980000208 | IR/RF Receiver                         | 35. | 2982028000 | Duette Rail Weight                    |
| 10. | 2982051048 | Manual Switch Housing                  | 36. | 2981136000 | Wire Saddle                           |
| 11. | 2981993000 | Internal IR/RF satellite cable         |     |            |                                       |
| 12. | 2982179xxx | Manual Switch Button/Cover (Kit)       |     |            |                                       |
| 13. | 2981186000 | Cover Rail Lock                        |     |            |                                       |
| 14. | 2981184000 | Cover Rail Support Bracket (3/8")      |     |            |                                       |
|     | 2981185000 | Cover Rail Support Bracket (3/4")      |     |            |                                       |
| 15. | 2981101785 | Headrail (3/8")                        |     |            |                                       |
|     | 2981102785 | Headrail (3/4")                        |     |            |                                       |
| 16. | 2981109xxx | Headrail End Caps (3/8")               |     |            |                                       |
|     |            | Motor Side LH                          |     |            |                                       |
|     | 2981108xxx | Headrail End Caps (3/8")               |     |            |                                       |
|     |            | Motor Side RH                          |     |            |                                       |
|     | 2981112xxx | Headrail End Caps (3/4")               |     |            |                                       |
|     |            | Motor Side LH                          |     |            |                                       |
|     | 2981110xxx | Headrail End Caps (3/4")               |     |            |                                       |
|     |            | Motor Side RH                          |     |            |                                       |
| 17. | 2981272048 | Motor Housing Assembly LH              |     |            |                                       |
|     | 2981271048 | Motor Housing Assembly RH              |     |            |                                       |
|     | 2981274048 | Extra Power Motor Housing Assembly LH  |     |            |                                       |
|     | 2981273048 | Extra Power Motor Housing Assembly RH  |     |            |                                       |
| 18. | 2981983000 | Limit Switch Cable Assembly 42"        |     |            |                                       |
|     | 2981984000 | Double Limit Switch Cable Assembly 19" |     |            |                                       |
|     | 2981984100 | Double Limit Switch Cable Assembly 43" |     |            |                                       |
|     | 2981985000 | Limit Switch Cable Assembly 27"        |     |            |                                       |
| 19. | 2981127000 | Shaft Adaptor                          |     |            |                                       |
| 20. | 2981107000 | One Groove Shaft                       |     |            |                                       |
| 21. | 2981126000 | Cord Clip                              |     |            |                                       |
| 22. | 2671000000 | 0.9 mm Cord                            |     |            |                                       |
| 23. | 2981231000 | Limit Switch Shaft Support RH          |     |            |                                       |
|     | 2981232000 | Limit Switch Shaft Support LH          |     |            |                                       |
| 24. | 2981202000 | Universal Plastic Cord Guard           |     |            |                                       |
| 25. | 2981100000 | PowerRise Wire Cover                   |     |            |                                       |
| 26. | N/A        | Fabric                                 |     |            |                                       |
| 27. | 2954000000 | Filler Strip (3/8")                    |     |            |                                       |
|     | 2974000000 | Filler Strip (3/4")                    |     |            |                                       |
| 28. | 2950010xxx | Applause Bottom Rail (3/8")            |     |            |                                       |
|     | 2970010xxx | Applause Bottom Rail (3/4")            |     |            |                                       |
| 29. | 2950020xxx | Applause BR End Cap (3/8")             |     |            |                                       |
|     | 2970020xxx | Applause BR End Cap (3/4")             |     |            |                                       |
| 30. | 3200155xxx | Pocket/Ferrule                         |     |            |                                       |
| 31. | 2982295000 | IR/RF Remote Transmitter               |     |            |                                       |

xxx – Denotes color or product specific detail.