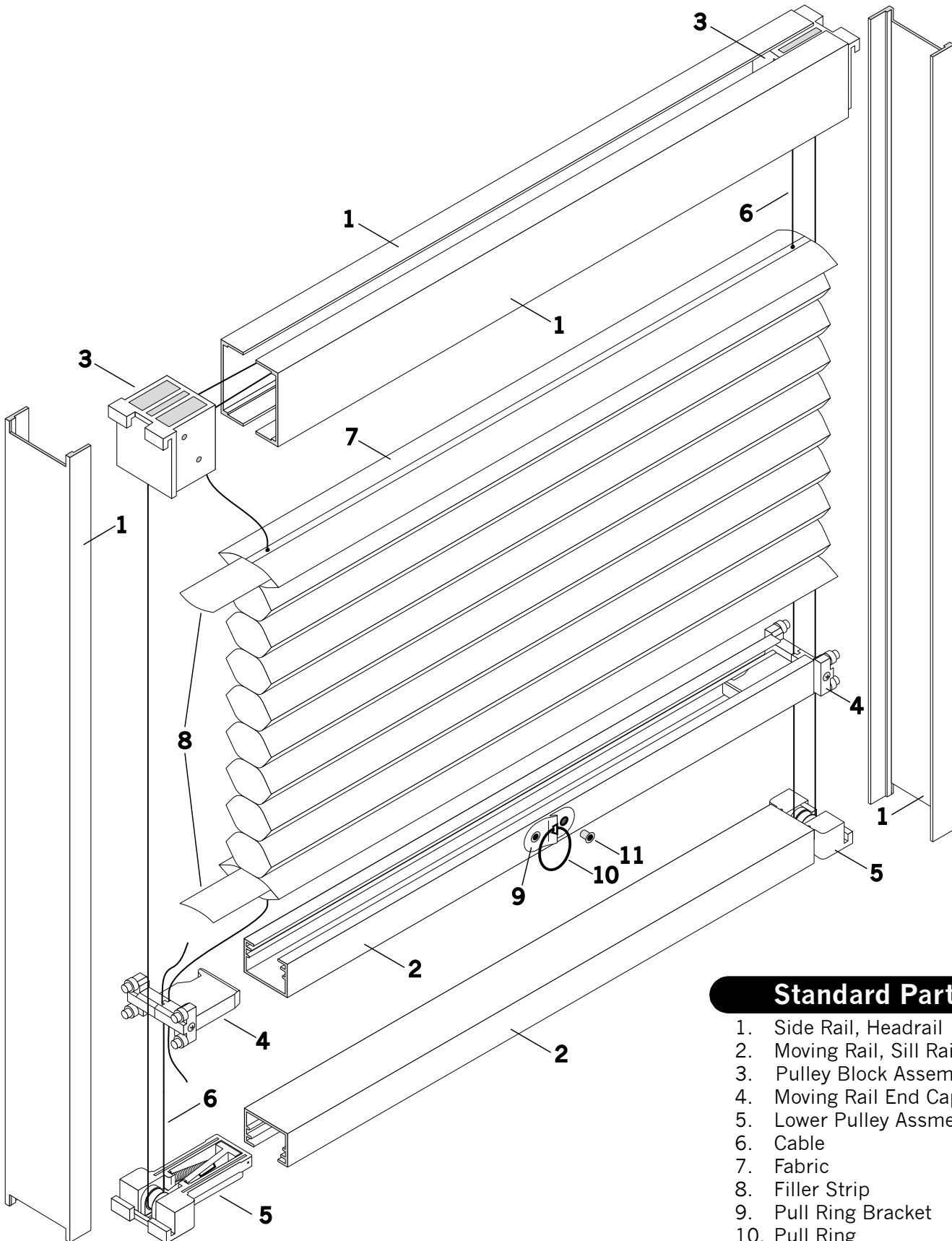


Applause® with Skyrise®



Standard Parts

1. Side Rail, Headrail
2. Moving Rail, Sill Rail
3. Pulley Block Assembly
4. Moving Rail End Cap
5. Lower Pulley Assmebly
6. Cable
7. Fabric
8. Filler Strip
9. Pull Ring Bracket
10. Pull Ring
11. Pop Rivet

Applause® with Skyrise®

No.	PCN	Description
1.	2950862785	Side Rail, Headrail
2.	2950805785	Moving Rail, Sill Rail
3.	2950801000	Pulley Block Assembly
4.	2951160785	Moving Rail End Cap RH
	2951161785	Moving Rail End Cap LH
5.	2950804000	Lower Pulley Assembly
6.	2950866000	Cable
7.	N/A	Fabric (3/8" & 3/4")
8.	2954000000	Filler Strip (3/8")
9.	2950841000	Pull Ring Bracket
10.	2950864000	Pull Ring
11.	2950842000	Pop Rivet

Support Cord Components (Not Shown)

2950822000	Support Cord
2950823000	Steel Washer
2950824000	Cone Spring
2980037000	Eyelet
2950826000	Plug Fitting
2950827000	Thread Fitting
2951128000	Support Bracket
2950829000	Nut (5-40)

Outside Mount Components (Not Shown)

2950875000	Side Rail Inserts
------------	-------------------

Side-to-Side Mount Components (Not Shown)

2950878000	Threaded Stand-Offs
------------	---------------------

Additional Hardware:

(For pictures & specifics, see Applause® Specialty Hardware Systems Additional Hardware)

2950832000	Skyrise® Installation Bracket
2950867785	Skyrise® Rail Seal
2995840000	Skyrise® Optional Extension Pole

xxx = 3-digit color code