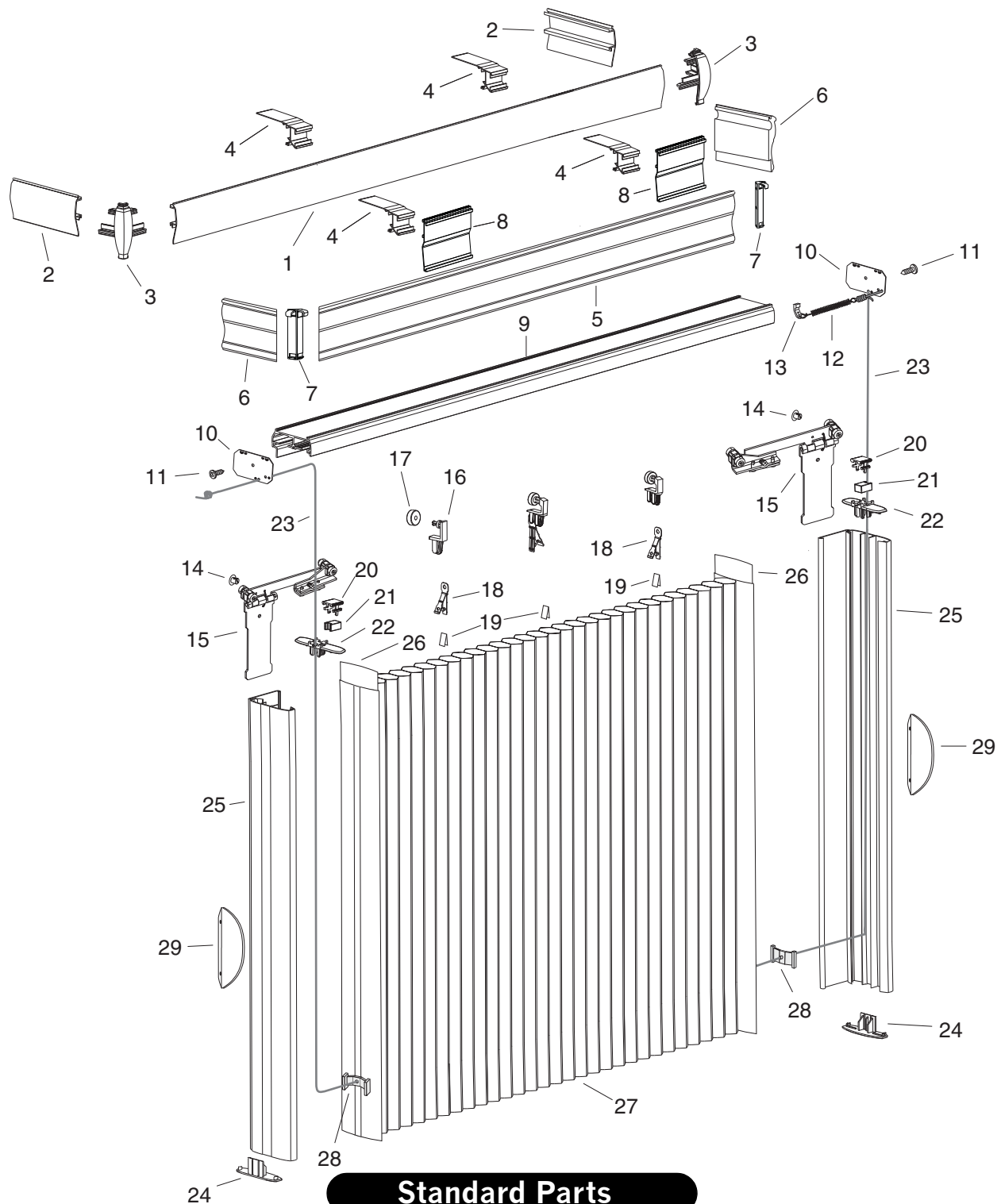


Applause® with Vertiglide™ Center Stack



Standard Parts

- | | | | |
|----------------------------|--------------------------------|-----------------------------|------------------------|
| 1. Aluminum Valance | 8. Grandover Valance Clip | 15. Moving Bracket Assembly | 22. Cord Guide End Cap |
| 2. Aluminum Valance Return | 9. Top Rail | 16. Rail Carrier | 23. Cord |
| 3. Valance Corner End Cap | 10. End Plate | 17. Fabric Carrier Bearing | 24. White End Cap |
| 4. Valance Mounting Clips | 11. Vertiglide™ Screw | 18. Fabric Carrier | 25. Vertical Rail |
| 5. Faux Wood Valance | 12. Vertiglide™ Spring | 19. Fabric Reinforcer | 26. Filler Strip |
| 6. Faux Wood Return | 13. Vertiglide™ Cord Tensioner | 20. Magnet Cap | 27. Fabric |
| 7. Corner Clips | 14. Rail Hanger Snap Pin | 21. Magnet | 28. Cord Guide |
| | | | 29. Handle with Screws |

Applause® with Vertiglide™ Center Stack

No.	PCN	Description
1.	2990855785	Aluminum Valance
2.	2990855785	Aluminum Valance Return
3.	2990864785	Valance Corner End Cap
4.	2990926000	Valance Mounting Clip – ¾"
	2990927000	Valance Mounting Clip – 1¼"
5.	7005396973	Faux Wood Valance
6.	N/A	Faux Wood Return (Comes as a part of #5)
7.	7007444000	Faux Wood Corner Clips
8.	2990929000	Grandover Valance Clip
9.	2991906785	Top Rail
10.	2990923785	End Plate
11.	2980116000	Vertiglide™ Screw
12.	2990865000	Vertiglide™ Cord Tensioner
13.	2980115000	Vertiglide™ Spring
14.	2980114000	Rail Hanger Snap Pin
15.	2990930000	Moving Bracket Assembly RH
	2990931000	Moving Bracket Assembly LH
16.	2990915000	Rail Carrier – ¾"
	2990916000	Rail Carrier – 1¼"
17.	2980106000	Fabric Carrier Bearing (Roller)
18.	2990848000	Fabric Carrier
19.	2990933000	Fabric Reinforcer
20.	2990919000	Magnet Cap
21.	2990100000	Magnet
22.	2990917000	Cord Guide End Cap – ¾"
	2990918000	Cord Guide End Cap – 1¼"
23.	5009085959	1.2 mm Cord
24.	2990860785	White End Cap – ¾"
	2990861785	White End Cap – 1¼"
25.	2990856785	Vertical Rail – ¾"
	2990857785	Vertical Rail – 1¼"
26.	2974000000	¾" Filler Strip
	2971311000	1¼" Filler Strip
27.	N/A	Fabric D2, D13, D14, D15, D17, D19 & E6 ¾" Semi-Opaque D7 ¾" Opaque D8 & D9 ¾" Sheer D10 1¼" Semi-Opaque D12 1¼" Opaque E3 ¾" Blackout
28.	2950100000	¾" Cord Guide
	2990869000	Cord Guide for all 1¼" Architella Fabrics ONLY
29.	2990862785	Handle with Screws

Additional Hardware:

(For pictures & specifics, see Applause® Specialty Hardware Systems Additional Hardware)

2990934000	Vertiglide™ Installation Bracket
2930340000	Extension Bracket
2980297000	Inside Mount Adaptor Bracket