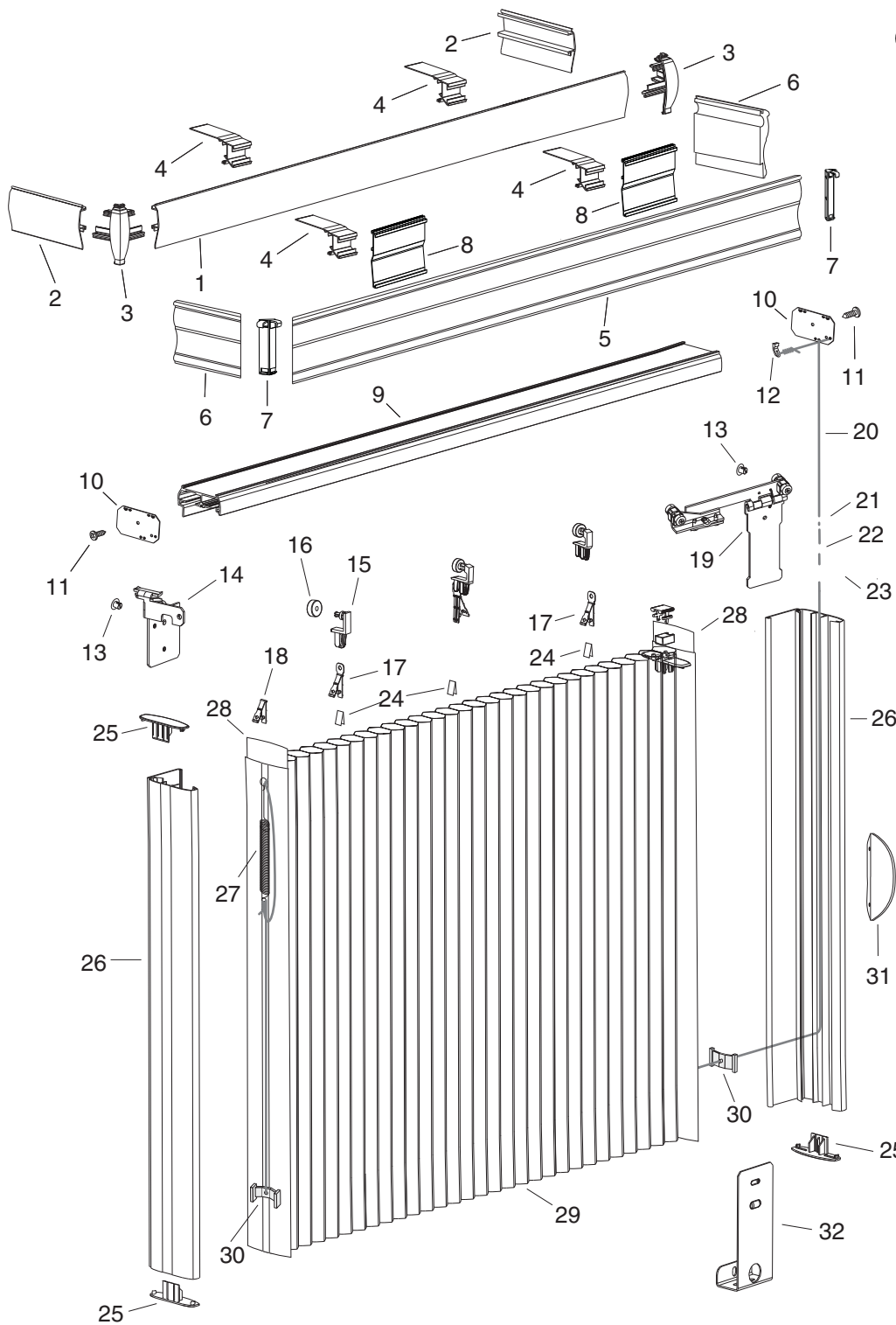


# Applause® with Vertiglide™ Side Stack



## Standard Parts

1. Aluminum Valance
2. Aluminum Valance Return
3. Valance Corner End Cap
4. Valance Mounting Clips
5. Faux Wood Valance
6. Faux Wood Return
7. Faux Wood Corner Clips
8. Grandover Valance Clip
9. Top Rail
10. End Plate
11. Vertiglide™ Screw
12. Vertiglide™ Cord Tensioner
13. Rail Hanger Snap Pin
14. Stationary Rail Bracket
15. Rail Carrier
16. Fabric Carrier Bearing
17. Fabric Carrier
18. Fabric Carrier (Trimmed)
19. Moving Bracket Assembly
20. Cord
21. Magnet Cap
22. Magnet
23. Cord Guide End Cap
24. Fabric Reinforcer
25. White End Cap
26. Vertical Rail
27. Vertiglide™ Spring
28. Filler Strip
29. Fabric
30. Cord Guide
31. Handle with Screws
32. Stationary Rail Bottom Bracket

# Applause® with Vertiglide™ Side Stack

<b>No.</b>	<b>PCN</b>	<b>Description</b>
1.	2990855785	Aluminum Valance
2.	2990855785	Aluminum Valance Return
3.	2990864785	Valance Corner End Cap
4.	2990926000	Valance Mounting Clip – ¾"
	2990927000	Valance Mounting Clip – 1¼"
5.	7005396973	Faux Wood Valance
6.	N/A	Faux Wood Return (Comes as a part of #5)
7.	7007444000	Faux Wood Corner Clips
8.	2990929000	Grandover Valance Clip
9.	2991906785	Top Rail
10.	2990923785	End Plate
11.	2980116000	Vertiglide™ Screw
12.	2990865000	Vertiglide™ Cord Tensioner
13.	2980114000	Rail Hanger Snap Pin
14.	2999241000	Stationary Rail Bracket, RH
	2999242000	Stationary Rail Bracket, LH
15.	2990915000	Rail Carrier – ¾"
	2990916000	Rail Carrier – 1¼"
16.	2980106000	Fabric Carrier Bearing (Roller)
17.	2990848000	Fabric Carrier
18.	2990848000	Fabric Carrier (Trimmed)
19.	2990930000	Moving Bracket Assembly RH
	2990931000	Moving Bracket Assembly LH
20.	5009085959	1.2 mm Cord
21.	2990919000	Magnet Cap
22.	2990100000	Magnet
23.	2990917000	Cord Guide End Cap – ¾"
	2990918000	Cord Guide End Cap – 1¼"
24.	2990933000	Fabric Reinforcer
25.	2990860785	White End Cap – ¾"
	2990861785	White End Cap – 1¼"
26.	2990856785	Vertical Rail – ¾"
	2990857785	Vertical Rail – 1¼"
27.	2980115000	Vertiglide™ Spring
28.	2974000000	¾" Filler Strip
	2971311000	1¼" Filler Strip
29.	N/A	Fabric D2, D13, D14, D15, D17, D19 & E6 ¾" Semi-Opaque D7 ¾" Opaque D8 & D9 ¾" Sheer D10 1¼" Semi-Opaque D12 1¼" Opaque E3 ¾" Blackout
30.	2950100000	¾" Cord Guide
	2990869000	Cord Guide for all 1¼" Architella Fabrics ONLY
31.	2990862785	Handle with Screws
32.	2980105000	Stationary Rail Bottom Bracket

## Additional Hardware:

(For pictures & specifics, see Applause® Specialty Hardware Systems Additional Hardware)

- 2990934000 Vertiglide™ Installation Bracket
- 2930340000 Extension Bracket
- 2980297000 Inside Mount Adaptor Bracket