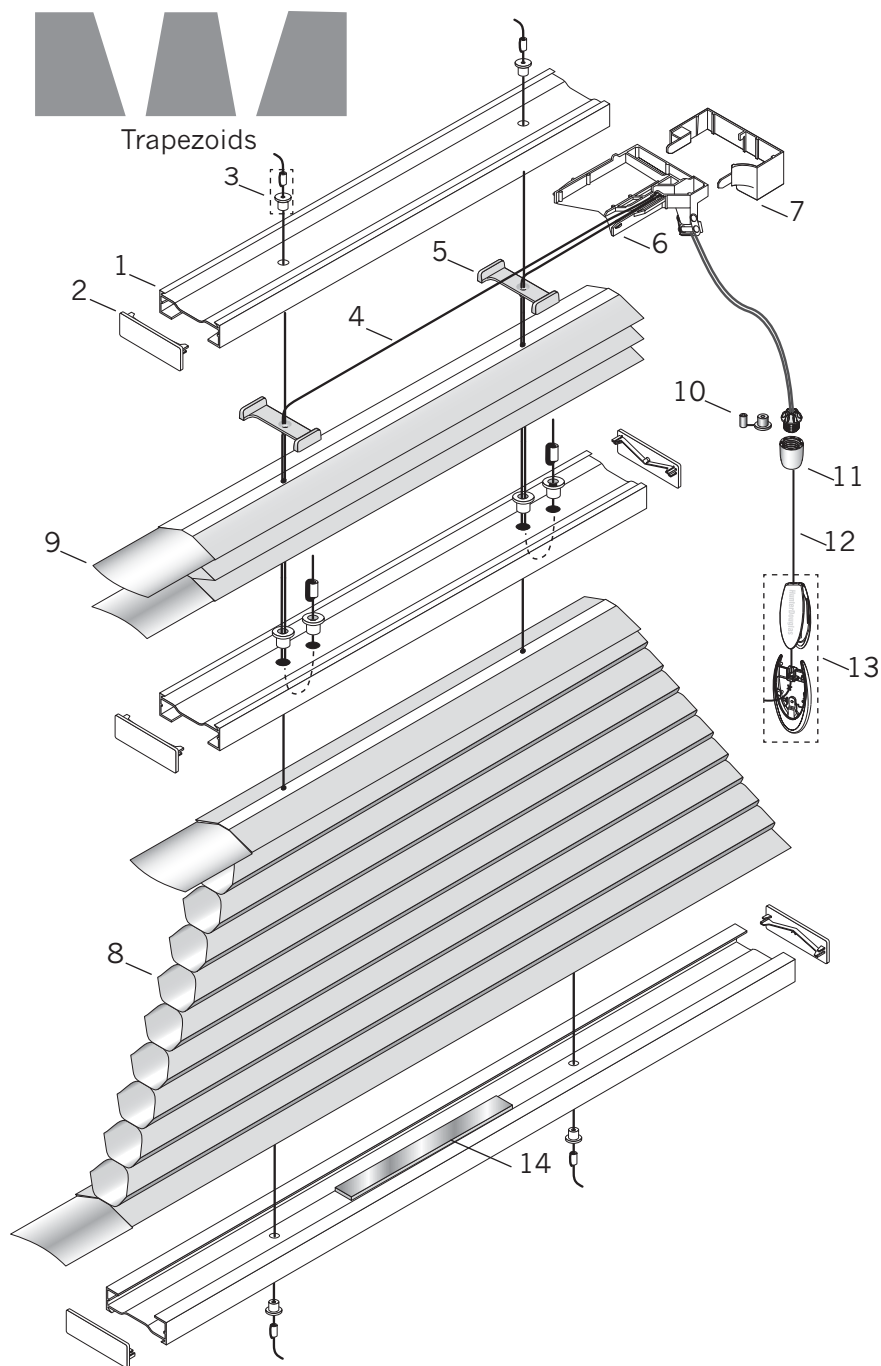


Applause® Top-Down Trapezoid



Standard Parts

- | | | |
|-------------------------|------------------------------|---------------------|
| 1. Headrail/Bottom Rail | 6. Cordlock Body | 11. Stop Ball |
| 2. End Cap | 7. Cordlock Cover | 12. Tassel Cord |
| 3. Pocket & Ferrule | 8. Fabric | 13. Designer Tassel |
| 4. Ultrawear® Cord | 9. Filler Strip | 14. Rail Weight |
| 5. Cord Guide | 10. Clear Pocket and Ferrule | |

Applause® Top-Down Trapezoid

No.	PCN	Description
1.	Headrail/Moving Rail/Bottom Rail 2950010xxx	3/8"
	2970010xxx	3/4" & Double Honeycomb
2.	End Cap 2950020xxx	3/8"
	2970020xxx	3/4" & Double Honeycomb
3.	3200155xxx	Pocket & Ferrule
4.	2680000000	0.9 mm Ultrawear® Cord
5.	Cord Guide 2950100000	3/8"
	2970300000	3/4" & Double Honeycomb
6.	Cordlock Body 2950094000	RH (3/8")
	2950095000	LH (3/8")
	2970094000	RH (3/4" & Double Honeycomb)
	2970095000	LH (3/4" & Double Honeycomb)
7.	Cordlock Cover 2950075xxx	RH (3/8")
	2950085xxx	LH (3/8")
	2970070xxx	RH (3/4" & Double Honeycomb)
	2970080xxx	LH (3/4" & Double Honeycomb)
8.	N/A	Fabric (3/8", 3/4" & Double Honeycomb)
9.	Filler Strip 2954000000	3/8"
	2974000000	3/4" & Double Honeycomb
10.	2930130000	Plastic Washer (2000 pcs.)
11.	Designer Tassel 2931556xxx	Cover
	2931555000	Base
12.	2932623xxx	Breakaway Cord Stop Safety Tassel
13.	2930320xxx	2.2 mm Tassel Cord
14.	2982028000	Rail Weight (used only if needed)

xxx = 3-digit color code