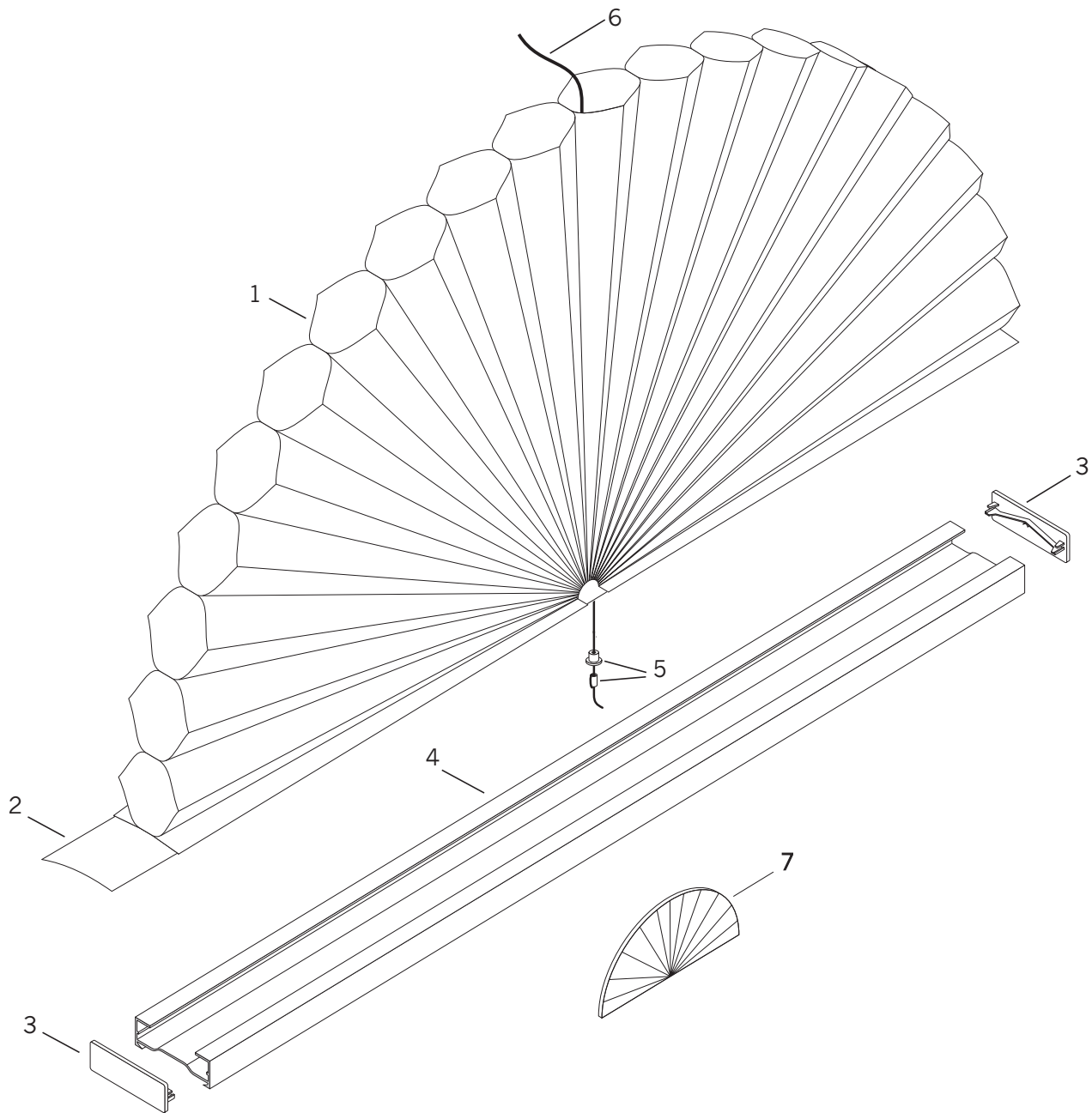


Applause® Arch



Standard Parts

1. Fabric
2. Filler Strip
3. End Cap
4. Headrail
5. Pocket & Ferrule
6. Support Cord
7. Applause® Disc Arch Cover

Applause® Arch

No.	PCN	Description
1.	N/A	Fabric (3/8", 3/4", & Double Honeycomb)
2.	2954000000	Filler Strip (3/8")
	2974000000	Filler Strip (3/4")
3.	2950020xxx	End Cap (3/8")
	2970020xxx	End Cap (3/4" & Double Honeycomb)
4.	2950010xxx	Headrail (3/8")
	2970010xxx	Headrail (3/4" & Double Honeycomb)
5.	3200155xxx	Pocket & Ferrule
6.	5009085000	1.2 mm Support Cord (arches over 48" wide)
7.	2980247000	Applause® Disc Arch Cover

* Double Honeycomb available in perfect arches only

Additional Hardware:

(For pictures & specifics, see Applause® Specialty Shapes Additional Hardware)

2950062000	Installation Bracket (3/8")
2970061000	Installation Bracket (3/4")
2250071XXX	Swivel Bracket (3/8")
2270071XXX	Swivel Bracket (3/4")
2980338000	End Mount Bracket Kit (3/8")
2980350000	End Mount Bracket Kit (3/4")
2980033000	Wall Mount Bracket (3/8")
2980051000	Wall Mount Bracket (3/4")
2980039000	Arch Support Clip
2980174000	Arch Support Hook

xxx = 3-digit color code