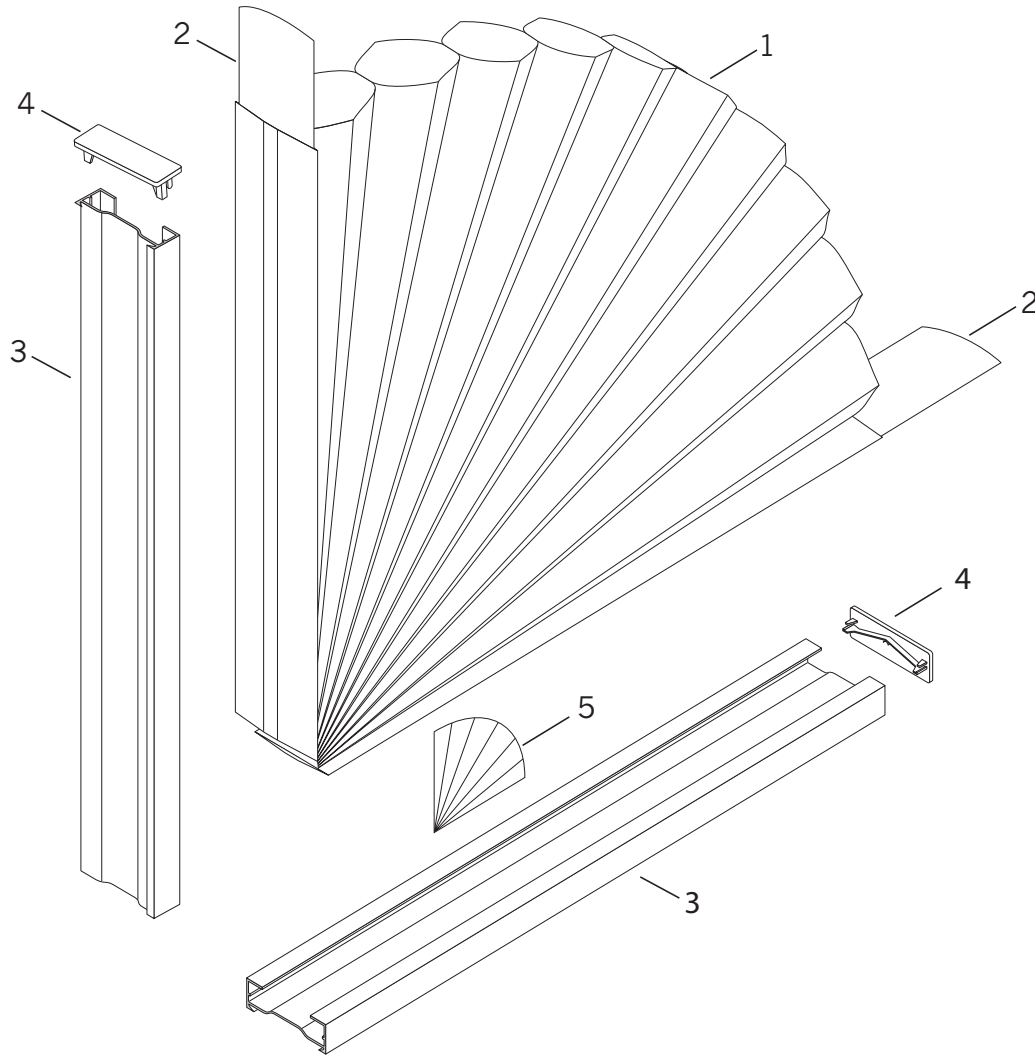


Applause® Quarter Circle



Standard Parts

1. Fabric
2. Filler Strip
3. Headrail/Bottom Rail
4. Headrail End Cap

Optional:

5. Applause® Disc Arch Cover

Applause® Quarter Circle

No.	PCN	Description
1.	N/A	Fabric (3/8" & 3/4")
2.	2954000000	Filler Strip (3/8")
	2974000000	Filler Strip (3/4")
3.	2950010xxx	Headrail/Bottom Rail (3/8")
	2970010xxx	Headrail/Bottom Rail (3/4")
4.	2950020xxx	End Cap (3/8")
	2970020xxx	End Cap (3/4")
Optional:		
5.	2980247000	Applause® Disc Arch Cover

Additional Hardware:

(For pictures & specifics, see Applause® Specialty Shapes Additional Hardware)

2980038000	Specialty End Mount Bracket (3/8") - Inside Mount Only
2980050000	Specialty End Mount Bracket (3/4") - Inside Mount Only
2980033000	Wall Mount Bracket (3/8") - Outside Mount Only
2980051000	Wall Mount Bracket (3/4") - Outside Mount Only
2980039000	Arch Support Clip

xxx = 3-digit color code