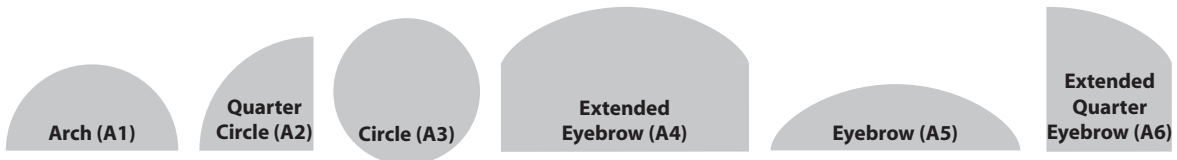
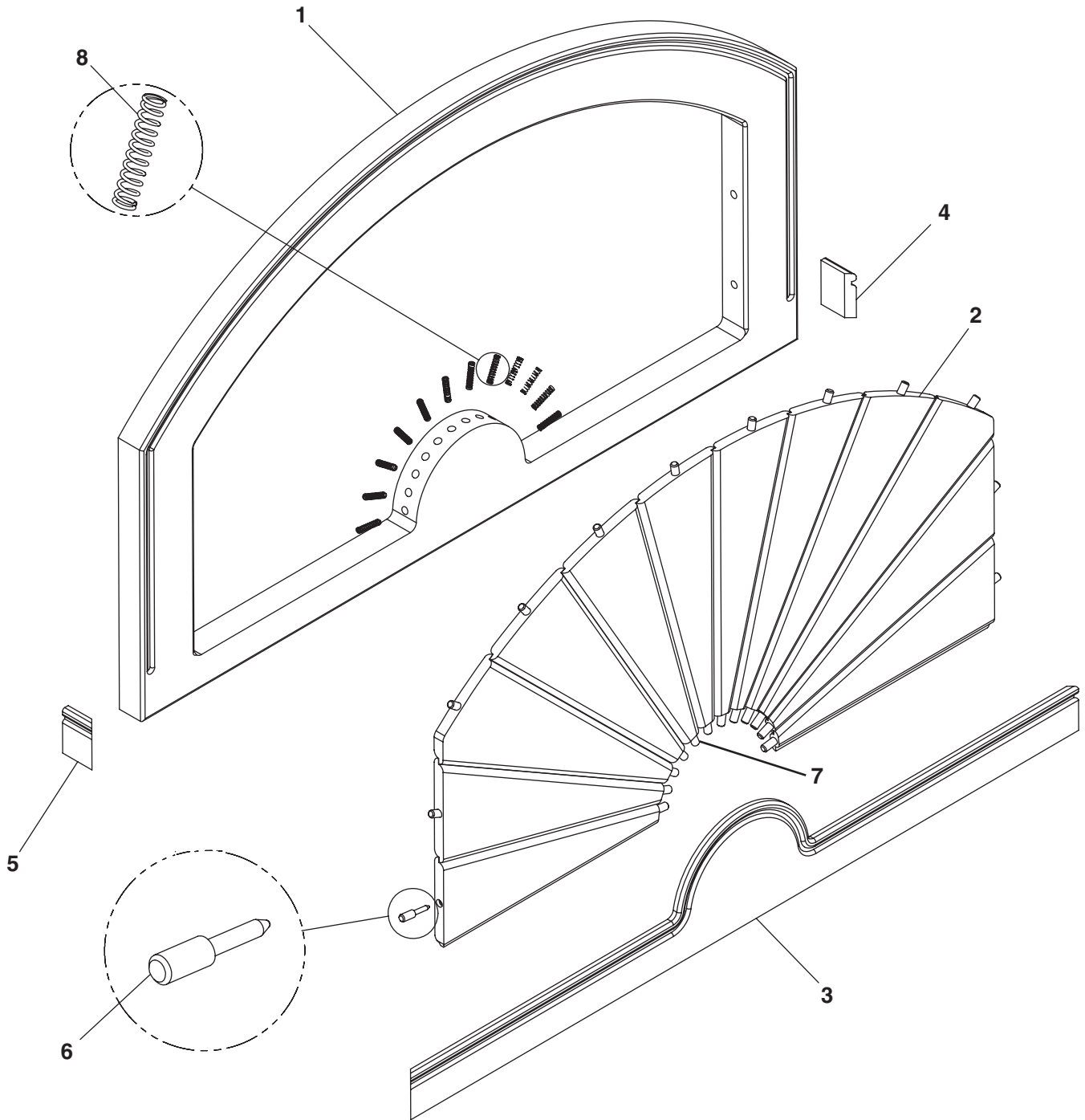


Specialty Shapes



Standard Parts

- | | |
|-----------------|---------------------|
| 1. Frame | 5. Left Return |
| 2. Louver | 6. Upper Louver Pin |
| 3. Cap | 7. Lower Louver Pin |
| 4. Right Return | 8. Spring |

© 2006 Hunter Douglas Inc. ® Registered trademark of Hunter Douglas Inc.

™ Trademark of Hunter Douglas Inc. Patented in the U.S. and foreign countries. U.S. and foreign patents pending.

Revision: 10/26/06

Specialty Shapes

No.	PCN	Description
1.	N/A	Frame
2.	N/A	Louver
3.	N/A	Cap
4.	N/A	Right Return
5.	N/A	Left Return
6.	WHP04001	Upper Louver Pin
7.	WHP05001	Lower Louver Pin
8.	WHS01008	Spring

Available Colors

301 Bright White	373 Sugar Pine
337 White	367 Vivid White
384 Extreme White	360 Picket Fence
359 Avalanche	361 Ecru
372 Classic White	351 Designer White
308 Eggshell	357 Fig
309 Linen	314 Alabaster
374 Parchment	311 Cameo
369 Off White	363 Sahara
362 Journal White	376 French Vanilla