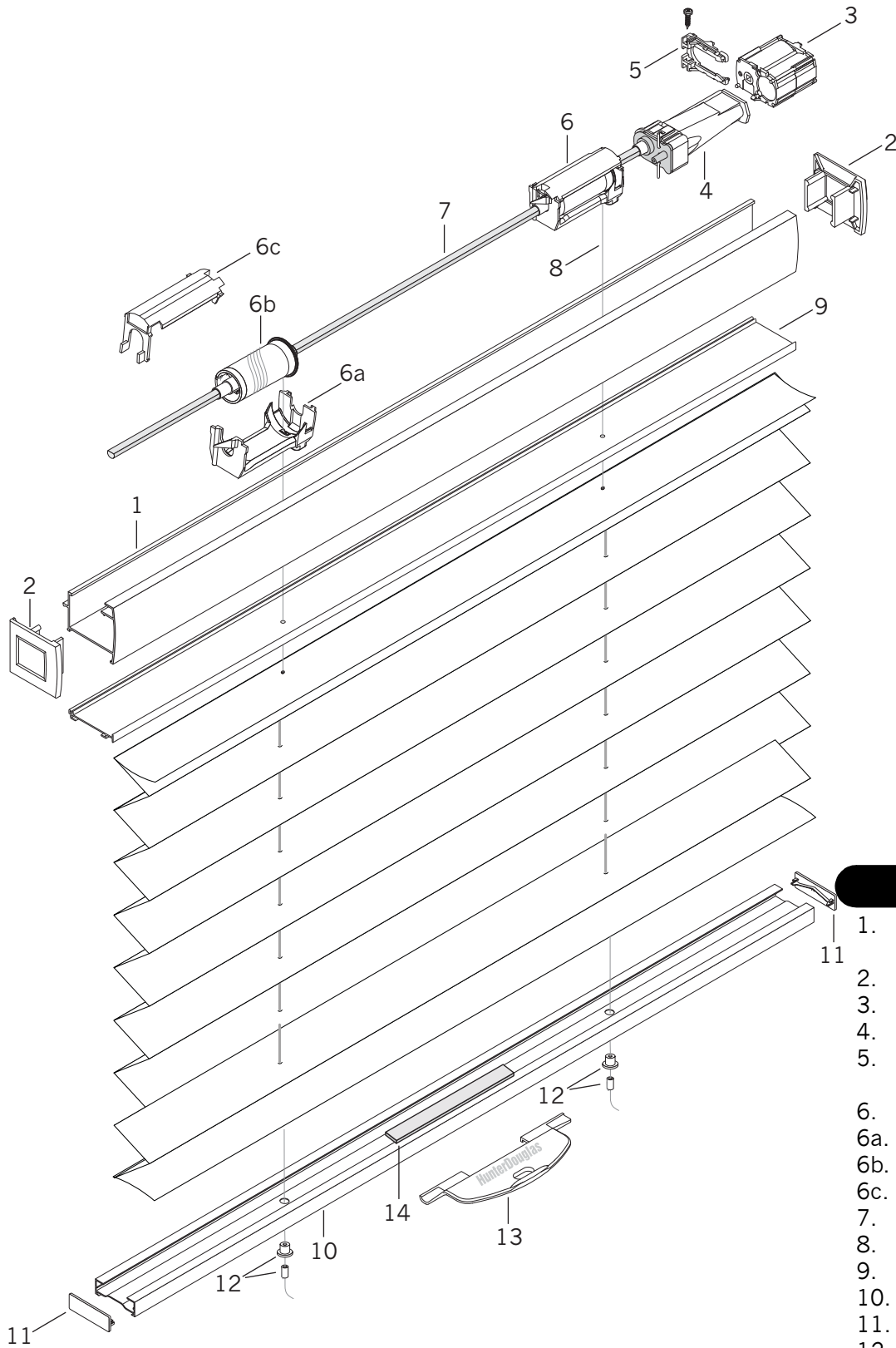


LiteRise® Shades



Standard Parts

1. Lightlines® Universal Headrail
2. Headrail End Caps
3. Motor
4. Transmission
5. Transmission Adaptor with Screw
6. Fabric Lift Roll Assembly
- 6a. Lift Rod Support
- 6b. Spool
- 6c. Spool Cover
7. Polymer Lift Rod
8. Cord
9. Fabric Channel
10. Bottomrail
11. Bottomrail End Caps
12. Pocket & Ferrule
13. Bottomrail Handle
14. Rail Weight

LiteRise® Shades

No.	PCN	Description
1.	5908008xxx	Lightlines® Universal Headrail
2.	5908034xxx	Headrail End Cap
3.	LiteRise® Motor	
	7300109000	Beige
	7300110000	Gray
	7300111000	Black
4.	LiteRise Transmission	
	7300156000	Red
	7300157000	Black
5.	7300133000	Transmission Adaptor with Screw
6.	PC555242	Fabric Lift Roll Assembly
6a.	Lift Rod Support	
6b.	Spool	
6c.	Spool Cover	
7.	5908027000	Tiltrod
8.	0.9 mm Lift Cord	
	5580xx	
	PC5580xx	
9.	PC555225	Fabric Channel
10.	2950010xxx	Bottomrail
11.	2950020xxx	Bottomrail End Cap
12.	3200156000C	Pocket & Ferrule
13.	7300222000	Bottom rail Handle
14.	Rail Weight - Optional (*used only if needed)	
	PC5550003	
	PC5550006	
	PC55500012	

Additional Components:

LIT888116A	LiteRise Installation Instructions (English)
LIT888116AF	LiteRise Installation Instructions (French)
888105	Bottomrail Label
7107888000	Cordless Horizontal and Pleated Shades Safety Hang Tag
Installation Brackets	
PC555257	LiteRise Installation Bracket (2 Pack)
PC555258	LiteRise Installation Bracket (3 Pack)
555004	Installation Screw
444956	Extension Bracket
2954000000	Bottomrail Filler Strip
555065	Double Faced Tape
PC555220	Round Tiltrod Bushing
5907202000	Plastic Tilter Lock
5908237000	Bracket Shim

xxx = Color Code