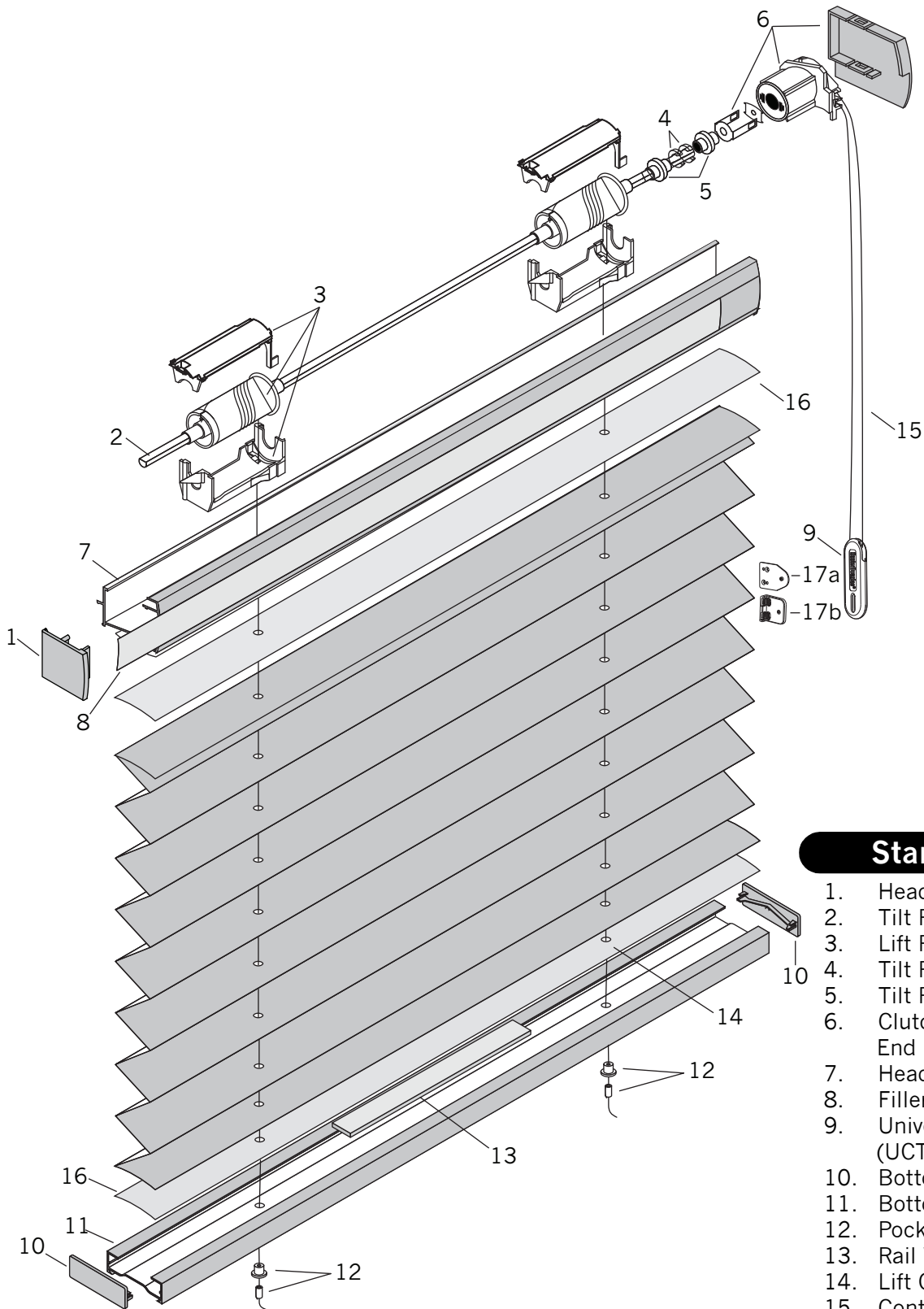


Pleated Shades with SoftGlide®



Standard Parts

1. Headrail End Cap
2. Tilt Rod
3. Lift Roll Assembly
4. Tilt Rod Locks
5. Tilt Rod Bushings
6. Clutch (Includes Adaptor & End Cap)
7. Headrail
8. Filler Strip Valance
9. Universal Cord Tensioner (UCT)
10. Bottomrail End Cap
11. Bottomrail
12. Pocket & Ferrule
13. Rail Weight*
14. Lift Cord
15. Continuous Cord Loop
16. Filler Strip
- 17a. UCT Outside Mount
- 17b. UCT Flush Mount)

Pleated Shades with SoftGlide®

No.	PCN	Description	Additional Components:	
1.	Headrail End Cap RC44508x RC400859		XSB101A72P XTW101A90P 555004 PC555250	Room Darkening Backing Light Filtering Backing Installation Screw Gear Box Adaptor (Shades over 60" wide)
2.	5908027000	Tilt Rod - Metal – 16'		
3.	PC555242	Lift Roll Assembly – Cream		
4.	5907202000	Tilt Rod Lock (Plastic Tilter Lock)	559056 555019	Eyelet Plastic Washer
5.	PC555220	Tilt Rod Bushing	555065	Double Faced Tape
6.	Clutch Set PC5552xx PC5552xx	Clutch Set (Left Hand) Clutch Set (Right Hand)	888105 7106858000 LIT888020A	Bottomrail Label (English) Bottomrail Label (French) SoftGlide Installation Instructions (English)
7.	SoftGlide Headrail – 16' PC55523x PC500859		LIT888020AF	SoftGlide Installation Instructions (French)
8.	2954000000	Filler Strip with Fabric Valance	7107685000	Tension Device Safety Hang Tag
9.	Universal Cord Tensioner 4150042048 4151042320 4151042785 4150042859	Black Rich Cream Aspen White Desert Tan	RMC632002 RMC633002 RMC603048	SoftGlide Installation Brackets - Alabaster (2 Pack) SoftGlide Installation Brackets - Alabaster (3 Pack) SoftGlide Installation Brackets - Black (2 Pack)
10.	2950020xxx	Bottomrail Endcaps	RMC633048	SoftGlide Installation Brackets - Black (3 Pack)
11.	2950010xxx	Bottomrail		
12.	3200156000C	Pocket & Ferrule	444956	Extension Bracket
13.	Rail Weight - Optional (*used only if needed) PC5550003 PC5550006 PC55500012		5007311000	Hold-Down Bracket
14.	0.9 mm Lift Cord 5580xx PC5580xx			
15.	Continuous Cord Loop 5550xx PC55518x			
16.	2954000000	Filler Strip		
17.	4150459000	Universal Cord Tensioner Mounting Kit		
17a.	N/A	Outside		
17b.	N/A	Flush Mount		

xxx = Color Code