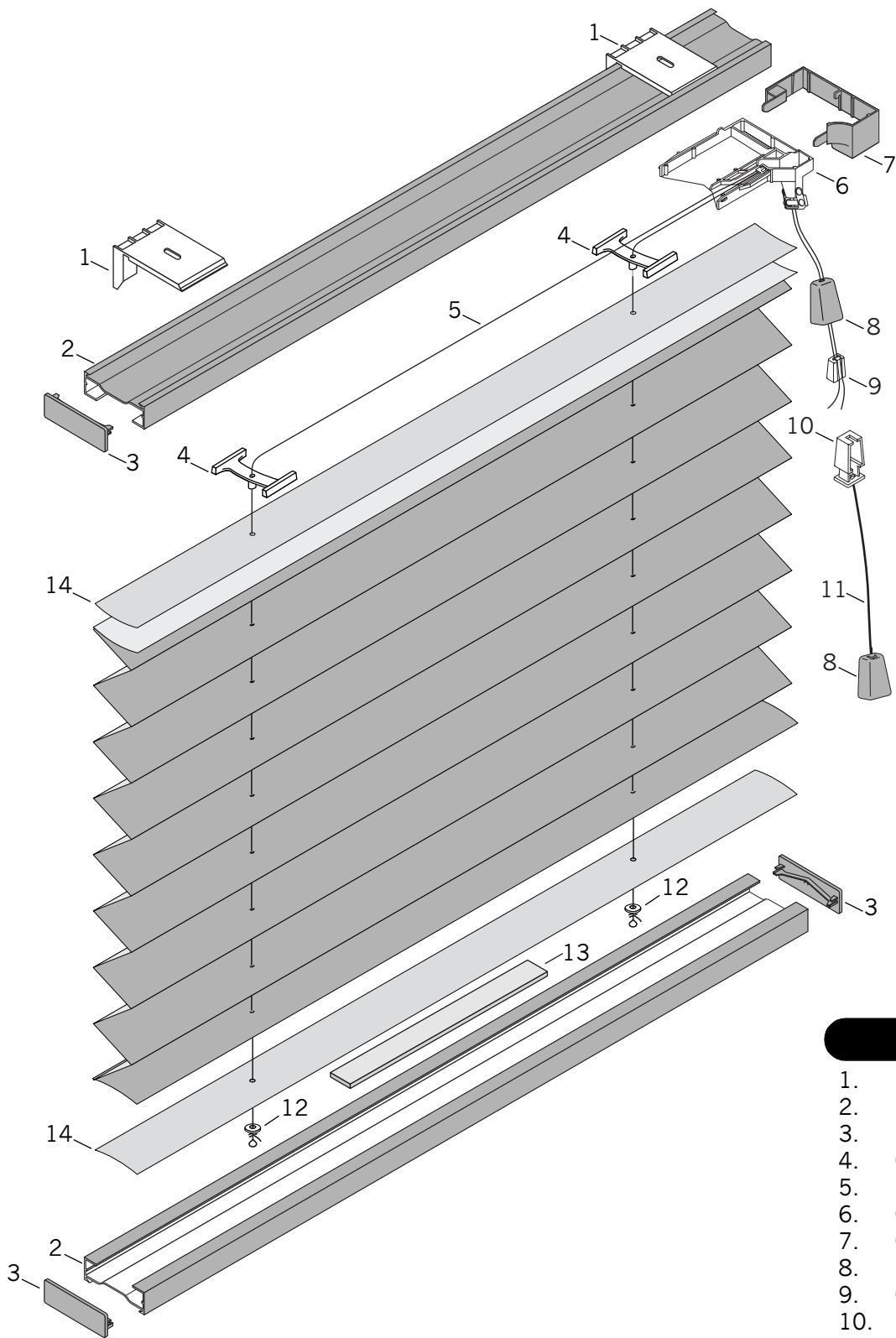


Standard Rectangular



Standard Parts

1. Installation Brackets
2. Headrail/Bottomrail
3. End Caps
4. Cord Guide
5. Lift Cord
6. Cordlock Body
7. Cordlock Cover
8. Universal Cover/Tassel
9. Cord Equalizer
10. Equalizer Housing
11. Pull Cord
12. Plastic Washer
13. Rail Weight* - Optional
14. Filler Strip

Standard Rectangular

No.	PCN	Description	Additional Components:	
1.	Installation Brackets		XSB101A72P	Room Darkening Backing
	PC555255	White (2 pack)	XTW101A90P	Light Filtering Backing
	PC555256	White (3 pack)	2980246000	Child Safety Kit
	2980038000	3/8" End Mount Clip	444956	Extension Bracket
2.	2950010xxx	Headrail/Bottomrail	5007311000	Hold-Down Bracket
3.	Headrail/Bottomrail Endcaps		555004	Installation Screw
	570xx		2930230000	Spacer Block
	2950020xxx		555065	Double Faced Tape
4.	558000	Cord Guide	888083A	Installation Instructions (English)
5.	0.9 mm Lift Cord			Installation Instructions (French)
	5580xx		LIT888083AF	
	PC5580xx			
6.	Cordlock Body		888105	Bottomrail Label
	2950095000	Left Hand	7106858000	Bottomrail Label (French)
	2950094000	Right Hand	7107684000	Cord Stop Safety Hang Tag
7.	Cordlock Cover – Left Hand			
	5560xx			
	2950085xxx			
	Cordlock Cover – Right Hand			
	5560xx			
	2950075xxx			
8.	2930440xxx	Universal Cover/Tassel		
9.	559058	Cord Equalizer		
10.	2930561000	Equalizer Housing		
11.	1.8 mm Pull Cord			
	5580xx			
	PC5580xx			
	WWC5580xx			
12.	555019	Plastic Washer		
13.	Rail Weight - Optional (*used only if needed)			
	PC5550003			
	PC5550006			
	PC55500012			
14.	2954000000	Filler Strip		

xxx = Color Code