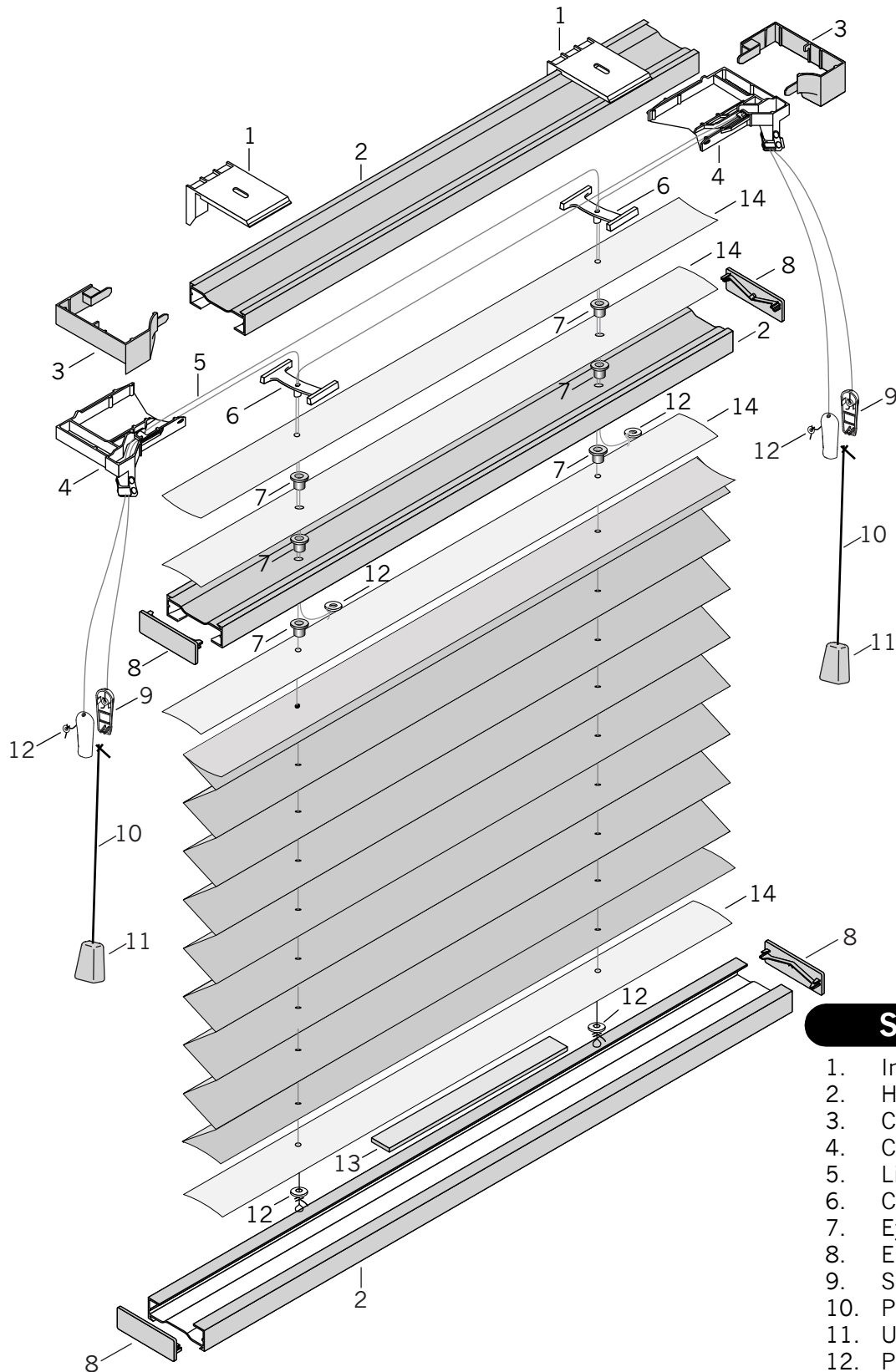


Top-Down/Bottom-Up Shades



Standard Parts

1. Installation Brackets
2. Headrail/Bottomrail
3. Cordlock Cover
4. Cordlock Body
5. Lift Cord
6. Cord Guide
7. Eyelet
8. End Caps
9. Safety Tassel (Breakaway)
10. Pull Cord
11. Universal Cover/Tassel
12. Plastic Washer
13. Rail Weight* - Optional
14. Filler Strip

Top-Down/Bottom-Up Shades

No.	PCN	Description	Additional Parts:	
1.	Installation Brackets		XSB101A72P	Room Darkening Backing
	PC555255	White (2 pack)	XTW101A90P	Light Filtering Backing
	PC555256	White (3 pack)	2954000000	Filler Strip
	2980038000	3/8" End Mount Clip	2980246000	Child Safety Kit
2.	2950010xxx	Headrail/Bottomrail	444956	Extension Bracket
3.	Cordlock Cover – Left Hand		5007311000	Hold-Down Bracket
	5560xx		555004	Installation Screw
	2950085xxx		2930230000	Spacer Block
	Cordlock Cover – Right Hand		555065	Double Faced Tape
	5560xx		888083A	Installation Instructions (English)
	2950075xxx		LIT888083AF	Installation Instructions (French)
4.	Cordlock Body		888105	Bottomrail Label
	2950095000	Left Hand	7106858000	Bottomrail Label (French)
	2950094000	Right Hand	7107684000	Cord Stop Safety Hang Tag
5.	0.9 mm Lift Cord			
	5580xx			
	PC5580xx			
6.	558000	Cord Guide		
7.	559056	Eyelet		
8.	Headrail/Bottomrail Endcaps			
	5570xx			
	2950020xxx			
9.	2932623xxx	Safety Tassel (Breakaway)		
10.	1.8 mm Pull Cord			
	5580xx			
	PC5580xx			
	WWC5580			
11.	2930440xxx	Universal Cover/Tassel		
12.	555019	Plastic Washer		
13.	Rail Weight - Optional (used only if needed)			
	PC5550003			
	PC5550006			
	PC55500012			
14.	2954000000	Filler Strip		

xxx = Color Code