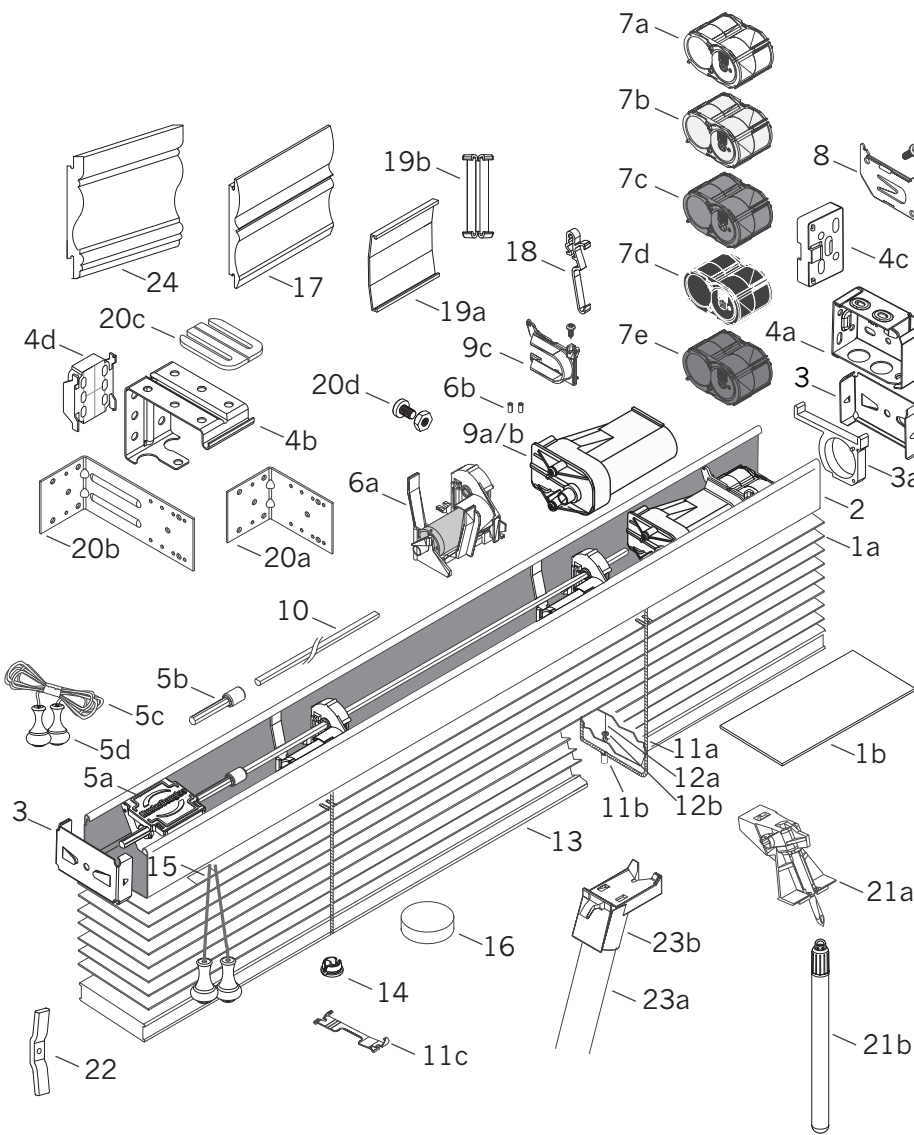


# 2" And 2½" Chalet Woods® With LiteRise®



## Standard Parts

- 1a. 2½" Slat
- 1b. 2" Slat
- 2. Headrail
- 3. Headrail End Lock
- 3a. Motor Spacer
- 4a. Installation Bracket
- 4b. Intermediate Support Bracket
- 4c. Spacer Block Bracket
- 4d. Spacer Block Support Bracket
- 5a. Cord Tilter
- 5b. Tilter Adapter D-Rod
- 5c. Tilt Cord 1.4 mm
- 5d. Wood Tassel
- 6a. LiteRise® 2" Lift and Tilt Roll Assembly with Hole
- 6b. "X" Tape Locator
- 7a. LiteRise C2 Motor - Natural
- 7b. LiteRise C2 Motor - Beige
- 7c. LiteRise C2 Motor - Gray
- 7d. LiteRise C2 Motor - Black
- 7e. LiteRise C2 Motor - Red
- 8. 2" LiteRise Motor Clamp
- 9a/b. LiteRise C2 Transmission
- 9c. LiteRise C2 Transmission Adaptor
- 10. Tiltrod
- 11a. No Loop Cable Tape
- 11b. 2" Cable Tape Grommet
- 11c. Tape Spacer
- 12a. Lift Cord 0.9mm
- 12b. Lift Cord Grommet
- 13. Rectangular Wood Bottom Rail
- 14. Tape Button
- 15. Slat Protector
- 16. Bottom Rail Weight
- 17. Standard Valance
- 18. Universal Valance Clip
- 19a. Valance Splice
- 19b. Universal Valance Corner Key

## Optional Parts

- 20a. Short Extension Bracket
- 20b. Long Extension Bracket
- 20c. Bracket Shim
- 20d. Bracket Extension Screw
- 21a. Wand Tilter
- 21b. Wand
- 22. Child Safety Kit (Cord Cleat)
- 23a. Extension Pole
- 23b. Tip for Extension Pole
- 24. Chancellor™ Valance

# 2" And 2½" Chalet Woods® With LiteRise®

<b>No.</b>	<b>PCN</b>	<b>Description</b>	<b>No.</b>	<b>PCN</b>	<b>Description</b>
1a.	3Sxxx	2½" Wood Slat	19a.	7007541000	Valance Splice
1b.	2Sxxx	2" Wood Slat	19b.	7007444000	Universal Valance Corner Key
2.	5003006xxx	2" Low Profile Headrail	<b>Optional Parts</b>		
3.	5003655000	2" Low Profile Headrail End Lock	20a.	5003167000	2" Low Profile Extension Bracket (Short)
3a.	7300180000	Motor Spacer	20b.	5003168000	2" Low Profile Extension Bracket (Long)
4a.	5003046000	2" Low Profile Installation Bracket	20c.	7007069000	⅛" Bracket Shim
4b.	5003158000	2" Low Profile Intermediate Support Bracket	20d.	5008068000	Bracket Extension Screw
4c.	5003142000	Spacer Block 2" Low Profile Bracket (⅜" Thick)	21a.	5003768000	2" Low Profile Wand Tilter
4d.	5003156000	Spacer Block 2" Low Profile Support Bracket (⅜" Thick)	21b.	Wood Wand	
5a.	5003874000	2" Low Profile Cord Tilter EPIC™		WDA24xxx*	24"
5b.	5003872000	2" Low Profile Tilter Adapter D-Rod		WDA30xxx*	30"
5c.	5009075xxx	1.4 mm Tilt Cord		WDA36xxx*	36"
5d.	GTAXxx	Wood Tassel		WDA48xxx*	48"
6a.	7300155000	LiteRise® Lift and Tilt Roll Assembly with Hole	*Wood wand assembly comprised of:		
6b.	5008047000	"X" Tape Locator Grommet (Top)	- Wood Wand		
7a.	7300117000	LiteRise C2 Motor (Natural)	- Wood Wand Connector Kit (Wand Cap - 7008700000)		
7b.	7300118000	LiteRise C2 Motor (Beige)	22.	2980246000	Child Safety Kit (Cord Cleat)
7c.	7300119000	LiteRise C2 Motor (Gray)	23a.	7300137000	Extension Pole
7d.	7300120000	LiteRise C2 Motor (Black)	23b.	7300138000	Tip for Extension Pole
7e.	7300187000	LiteRise C2 Motor (Red)	24.	ZVxxx	Chancellor™ Valance ¾"
8.	7300139000	2" LiteRise Motor Clamp	xxx = 3-digit color code		
9a.	7300221000	LiteRise C2 Transmission (Beige)			
9b.	7300185000	LiteRise C2 Transmission (Natural)			
9c.	7300132000	LiteRise C2 Transmission Adapter with Screws			
10.	5908027000	"D" Tiltrod (1 each for tilt and lift)			
11a.	5003073xxx	No Loop Cable Tape - 54 mm			
	5003047xxx	No Loop Cable Tape - 44 mm			
11b.	5003308000	2" Cable Tape Grommet (Bottom)			
11c.	7007078000	2½" Tape Spacer			
12a.	5009077xxx	0.9 mm Lift Cord			
12b.	5008083000	Lift Cord Grommet			
13.	2Rxxx	2" Rectangular Wood Bottom Rail			
14.	7004034xxx	Wood Tape Button			
15.	7007071000	Beveled Slat Protector			
16.	7007067000	Wood Bottom Rail Weight			
17.	3Vxxx	Standard Valance 3"			
18.	7007845000	Universal Valance Clip			