

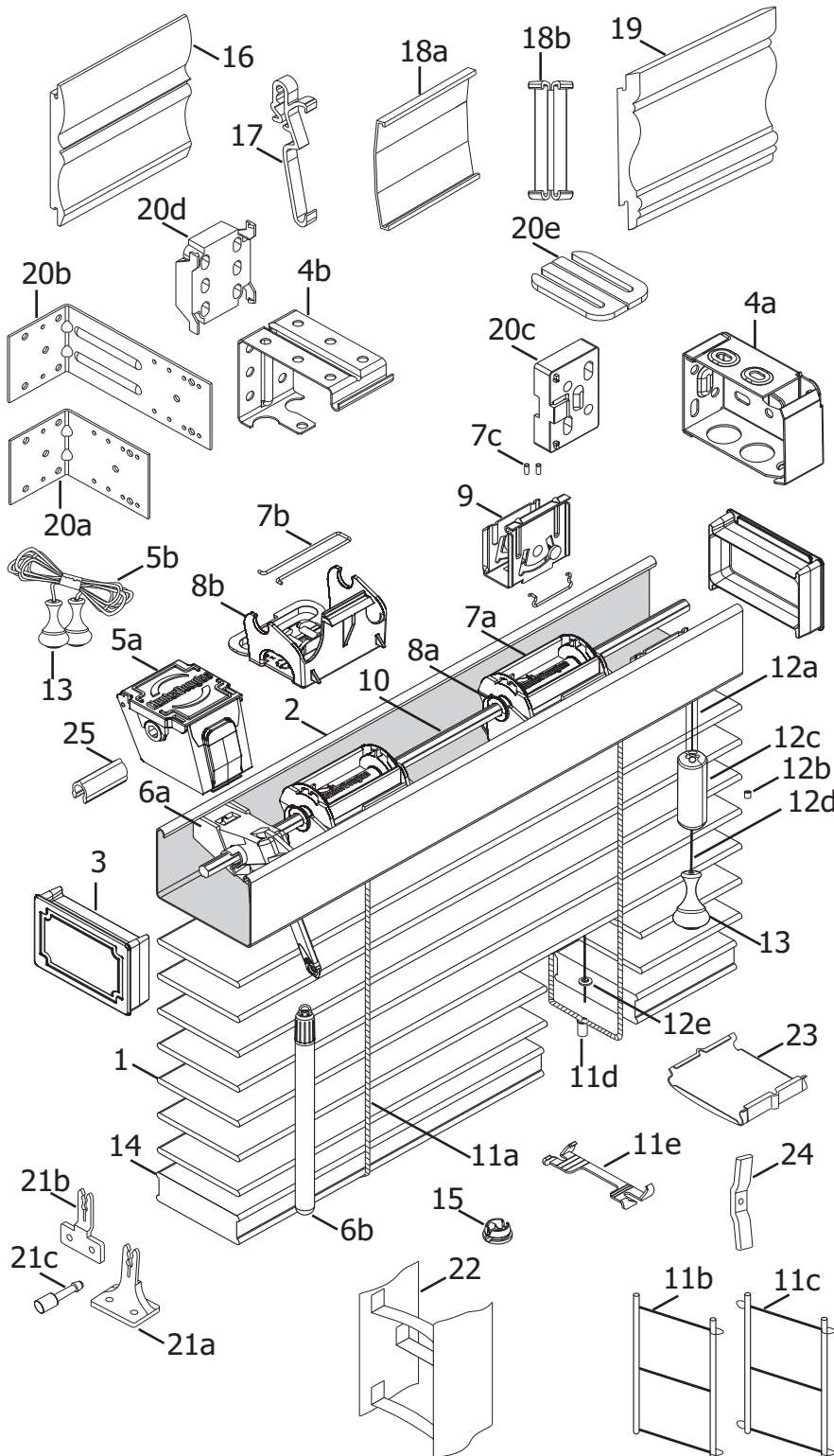
2" Chalet Woods®

Standard Parts

1. Slat
2. Headrail
3. Headrail End Cap
- 4a. Installation Bracket
- 4b. Intermediate Support Bracket
- 5a. Cord Tilter
- 5b. Tilt Cord 1.4 mm
- 6a. Wand Tilter
- 6b. Wand
- 7a. Tape Roll 2" Unv. EPIC
- 7b. Tape Roll Pin
- 7c. "X" Tape Locator
- 8a. Support Tape Roll (Ladders)
- 8b. Support Tape Roll (Dec Tapes)
9. Cordlock
10. Tiltrod
- 11a. No Loop Cable Tape
- 11b. Single Loop Cable Tape
- 11c. Double Loop Cable Tape
- 11d. 2" Cable Tape Grommet
- 11e. Tape Spacer
- 12a. Lift Cord 1.4 mm
- 12b. Cord Stop Washer
- 12c. Cord Stop
- 12d. Tassel Cord 2.2 mm
- 12e. Lift Cord Grommet
13. Wood Tassel
14. Bottom Rail
15. Tape Button
16. Standard Valance
17. Universal Valance Clip
- 18a. Valance Splice
- 18b. Universal Valance Corner Key

Optional Parts

19. Chancellor™ Valance
- 20a. Short Extension Bracket
- 20b. Long Extension Bracket
- 20c. Spacer Block Bracket
- 20d. Spacer Block Support Bracket
- 20e. Bracket Shim
- 21a. Hold-Down Bracket (Sill)
- 21b. Hold-Down Bracket (Jamb)
- 21c. Hold-Down Pin
22. Decorative Tape
23. Tape Lock
24. Child Safety Kit (Cord Cleat)
25. Clip



2" Chalet Woods®

| No. | PCN | Description | No. | PCN | Description |
|------------|---|---|--------------------------|------------|--|
| 1. | 2Sxxx | 2" Chalet Woods® Slat | 15. | 7004034xxx | Wood Tape Button |
| 2. | 5003006xxx | 2" Low Profile Headrail | 16. | 3Vxxx | Standard Valance 3" |
| 3. | 5908035000 | 2" Low Profile Headrail End Cap | 17. | 7007845000 | Universal Valance Clip |
| 4a. | 5003046xxx | 2" Low Profile Installation Bracket | 18a. | 7007541000 | Valance Splice |
| 4b. | 5003158000 | 2" Low Profile Intermediate Support Bracket | 18b. | 7007444000 | Universal Valance Corner Key |
| 5a. | 5003874000 | 2" Low Profile Cord Tilter EPIC™ | Optional Parts: | | |
| 5b. | 5009075xxx | 1.4 mm Tilt Cord | 19. | ZVxxx | Chancellor™ Valance 3¼" |
| 6a. | 5003768000 | 2" Low Profile Wand Tilter | 20a. | 5003167000 | 2" Low Profile Extension Bracket (Short) |
| 6b. | Wood Wand | | 20b. | 5003168000 | 2" Low Profile Extension Bracket (Long) |
| | WDA24xxx* | 24" | 20c. | 5003142000 | Spacer Block 2" Low Profile Bracket (3/8" Thick) |
| | WDA30xxx* | 30" | 20d. | 5003156000 | Spacer Block 2" Low Profile Support Bracket (3/8" Thick) |
| | WDA36xxx* | 36" | 20e. | 7007069000 | 1/8" Bracket Shim |
| | WDA48xxx* | 48" | 21a. | 7007075000 | 2" Hold-Down Bracket (Sill) |
| | *Wood wand assembly comprised of: | | 21b. | 7007076000 | 2" Hold-Down Bracket (Jamb) |
| | - Wood Wand | | 21c. | 5007307000 | Hold-Down Pin |
| | - Wood Wand Connector Kit (Wand Cap - 7008700000) | | 22. | 7002201xxx | 2" Decorative Tape |
| 7a. | 5003680000 | Tape Roll 2" EPIC-B | 23. | 5003041xxx | Wood Bottom Rail Tape Lock |
| 7b. | 5003679000 | Tape Roll Pin (Used for Dec Tapes) | 24. | 2980246000 | Child Safety Kit (Cord Cleat) |
| 7c. | 5008047000 | "X" Tape Locator Grommet (Top) | 25. | 5003251000 | Clip 2" Omega |
| 8a. | 5003572000 | Support Tape Roll 2" Unv. Ladders-B | | | |
| 8b. | 5003582000 | Support Tape Roll 2" Unv. Dec Tapes | xxx = 3-digit color code | | |
| 9. | 5003367000 | 2" Low Profile Cordlock EPIC | | | |
| 10. | 5003033000 | 2" Low Profile Tiltrod – Modified Hex | | | |
| 11a. | 5003074xxx | No Loop Cable Tape – 44 mm | | | |
| 11b. | 5003072xxx | Single Loop Cable Tape – 44 mm | | | |
| 11c. | 5003070xxx | Double Loop Cable Tape – 44 mm | | | |
| 11d. | 5003308000 | 2" Cable Tape Grommet (Bottom) | | | |
| 11e. | 7007074000 | 2" Tape Spacer | | | |
| 12a. | 5009075xxx | 1.4 mm Lift Cord | | | |
| 12b. | 5008087000 | Cord Stop Washer | | | |
| 12c. | 7007736xxx | Cylindrical Cord Stop | | | |
| 12d. | 2930320xxx | 2.2 mm Tassel Cord | | | |
| 12e. | 5008083000 | Lift Cord Grommet | | | |
| 13. | GTxxx | Wood Tassel | | | |
| 14. | 2Rxxx | 2" Rectangular Wood Bottom Rail | | | |