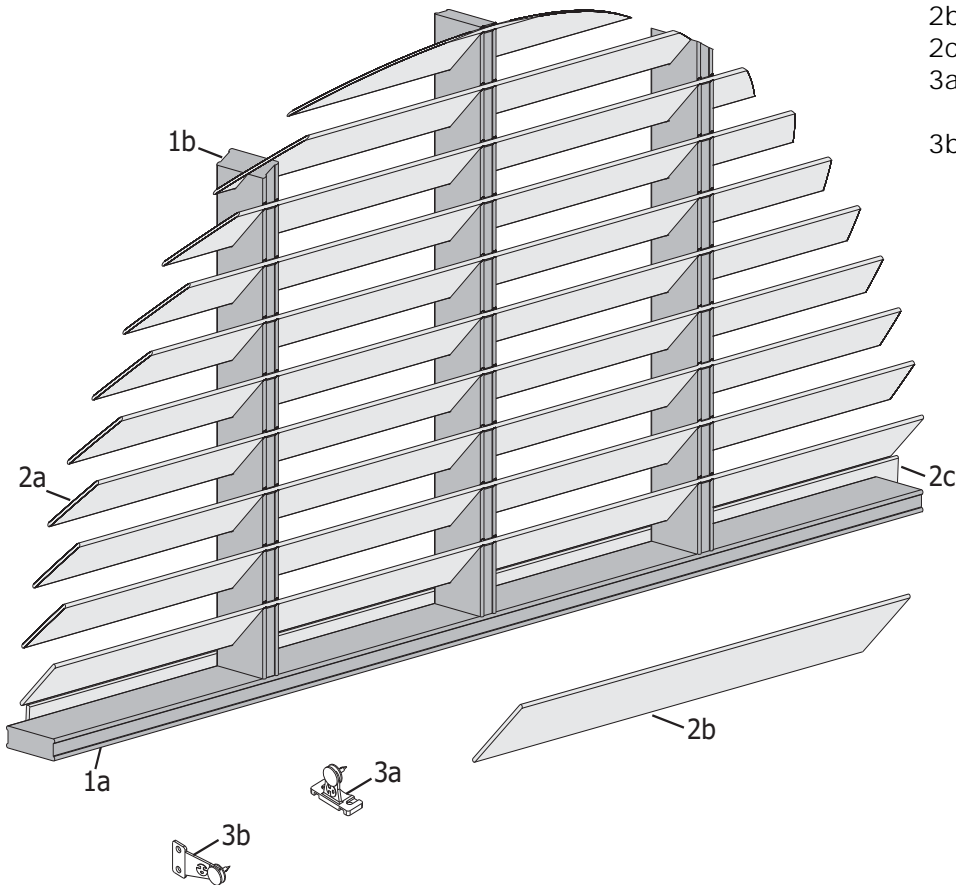


# 2" & 2½" Fixed Slat Specialty Shapes

## Standard Parts

- 1a. Bottom Rail
- 1b. Bottom Rail (Upright)
- 2a. 2" Chalet Woods® Slat
- 2b. 2½" Chalet Woods Slat
- 2c. Extra Slat 2"
- 3a. Hold Down Bracket - Sill/Wall (OB Mount)
- 3b. Hold Down Bracket - Jamb (IB Mount)



**Note:**

This illustration applies to all of our fixed slat specialty shapes. Octagon, Hexagon, Circle and Oval shapes will not have a horizontal bottom rail.

## 2" & 2½" Fixed Slat Specialty Shapes

| <b>No.</b> | <b>PCN</b> | <b>Description</b>                       |
|------------|------------|--|
| 1a.        | 2Rxxx      | 2" Retangular Wood Bottom Rail           |
| 1b.        | 2Rxxx      | 2" Retangular Wood Bottom Rail (Upright) |
| 2a.        | 2Sxxx      | 2" Chalet Woods® Slat                    |
| 2b.        | 3Sxxx      | 2½" Chalet Woods Slat                    |
| 2c.        | 2Sxxx      | 2" Chalet Woods Extra Slat               |
| 3a.        | 5007313000 | Hold Down Bracket - Sill/Wall (OB Mount) |
| 3b.        | 5007314000 | Hold Down Bracket - Jamb (IB Mount)      |

xxx = 3-digit color code