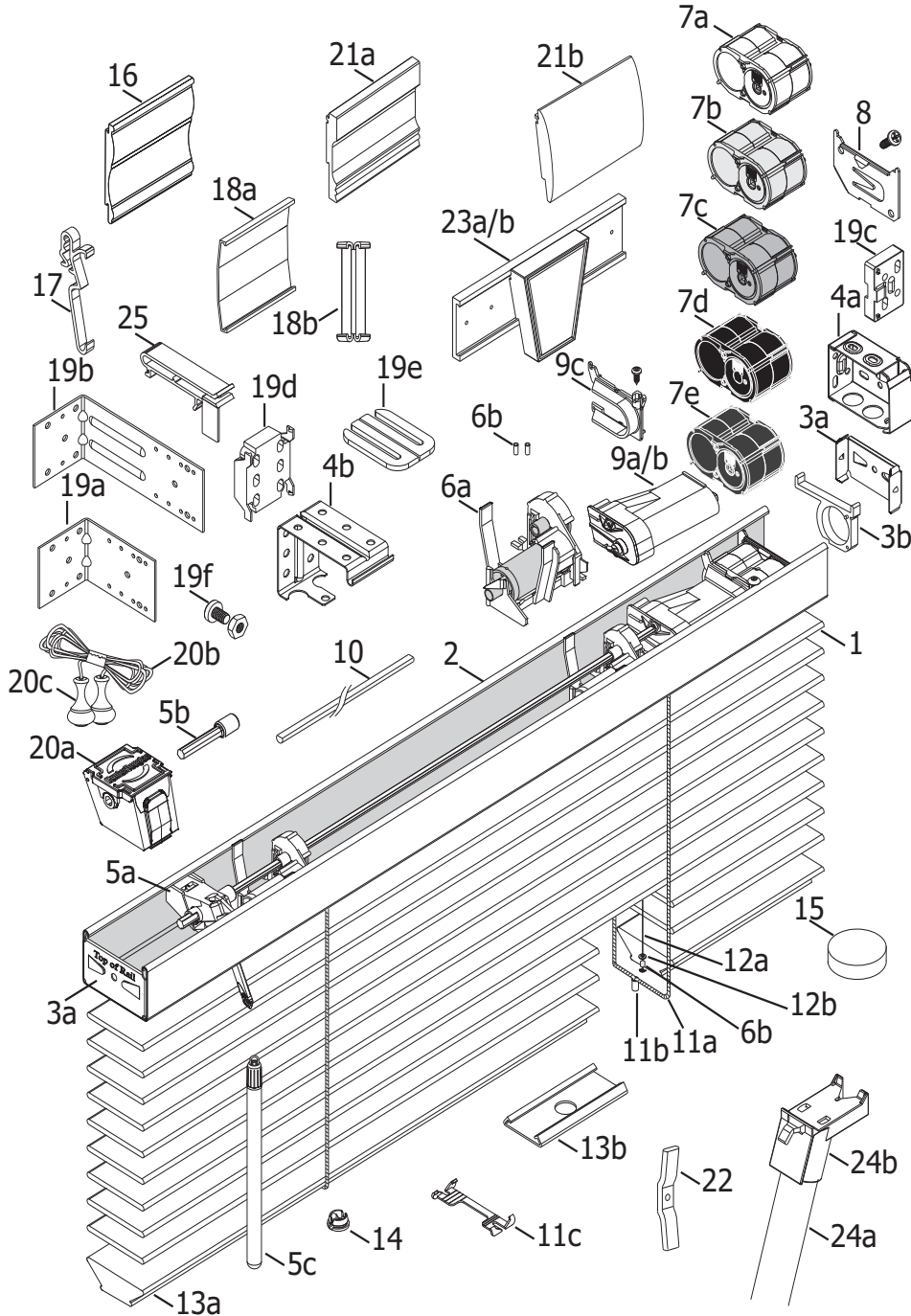


2" Classics™ with LiteRise®



Standard Parts

1. Slat
2. Headrail
- 3a. Headrail End Lock
- 3b. Motor Spacer
- 4a. Installation Bracket
- 4b. Intermediate Support Bracket
- 5a. Wand Tilter
- 5b. Tilter Adapter D-Rod
- 5c. Wand
- 6a. LiteRise® 2" Lift and Tilt Roll Assembly with Hole
- 6b. "X" Tape Locator
- 7a. LiteRise C2 Motor – Natural
- 7b. LiteRise C2 Motor – Beige
- 7c. LiteRise C2 Motor – Gray
- 7d. LiteRise C2 Motor – Black
- 7e. LiteRise C2 Motor – Red
8. 2" LiteRise Motor Clamp
- 9a/b. LiteRise C2 Transmission
- 9c. LiteRise C2 Transmission Adaptor
10. Tiltrod
- 11a. No Loop Cable Tape
- 11b. 2" Cable Tape Grommet
- 11c. Tape Spacer
- 12a. Lift Cord 0.9 mm
- 12b. Lift Cord Grommet
- 13a. Deluxe Bottom Rail
- 13b. Bottom Rail Handle
14. Tape Button
15. Bottom Rail Weight
16. Grandover™ Valance
17. Universal Valance Clip
- 18a. Valance Splice
- 18b. Universal Valance Corner Key

*This is a representative model of the LiteRise® system for the 2" low profile headrail.

Optional Parts

- | | |
|-----------------------------------|-----------------------------------|
| 19a. Short Extension Bracket | 21a. Havencrest™ Valance |
| 19b. Long Extension Bracket | 21b. Artemis™ Valance |
| 19c. Spacer Block Bracket | 22. Child Safety Kit (Cord Cleat) |
| 19d. Spacer Block Support Bracket | 23a. Decorative Keystone 3¾" |
| 19e. Bracket Shim | 23b. Decorative Keystone 5" |
| 19f. Bracket Extension Screw | 24a. Extension Pole |
| 20a. Cord Tilter | 24b. Tip for Extension Pole |
| 20b. Tilt Cord 1.4mm | 25. Cornice Clip |
| 20c. Wood Tassel | |

2" Classics™ with LiteRise®

| No. | PCN | Description | No. | PCN | Description |
|------------|---|--|------------------------|------------|---|
| 1. | 2Sxxx | 2" Country Woods® Slat | 13a. | DRxxx | Deluxe Wood Bottom Rail |
| 2. | 5003006xxx | 2" Low Profile Headrail | 13b. | 7300134000 | LiteRise Wood Bottom Rail Handle |
| 3a. | 5003655000 | 2" Low Profile Headrail End Lock | 14. | 7004034xxx | Wood Tape Button |
| 3b. | 7300180000 | Motor Spacer | 15. | 7007067000 | Wood Bottom Rail Weight |
| 4a. | 5003046000 | 2" Low Profile Installation Bracket | 16. | GVxxx | Grandover™ Valance 3¼" |
| 4b. | 5003158000 | 2" Low Profile Intermediate Support Bracket | 17. | 7007845000 | Universal Valance Clip |
| 5a. | 5003768000 | 2" Low Profile Wand Tilter | 18a. | 7007541000 | Valance Splice |
| 5b. | 5003872000 | 2" Low Profile Tilter Adapter – D-Rod | 18b. | 7007444000 | Universal Valance Corner Key |
| 5c. | Wood Wand | | Optional Parts: | | |
| | WDA24xxx* | 24" | 19a. | 5003167000 | 2" Low Profile Extension Bracket (Short) |
| | WDA30xxx* | 30" | 19b. | 5003168000 | 2" Low Profile Extension Bracket (Long) |
| | WDA36xxx* | 36" | 19c. | 5003142000 | Spacer Block 2" Low Profile Bracket (⅜" Thick) |
| | WDA48xxx* | 48" | 19d. | 5003156000 | Spacer Block 2" Low Profile Support Bracket (⅜" Thick) |
| | *Wood wand assembly comprised of: | | 19e. | 7007069000 | ⅛" Bracket Shim |
| | - Wood Wand | | 20a. | 5003874000 | 2" Low Profile Cord Tilter EPIC™ |
| | - Wood Wand Connector Kit (Wand Cap - 7008700000) | | 20b. | 5009075xxx | 1.4 mm Tilt Cord |
| 6a. | 7300155000 | LiteRise® 2" Lift and Tilt Roll Assembly with Hole | 20c. | GTxxx | Wood Tassel |
| 6b. | 5008047000 | "X" Tape Locator Grommet (Top) | 21a. | FCxxx | Havencrest™ Valance 4½" |
| 7a. | 7300117000 | LiteRise C2 Motor (Natural) | 21b. | UVxxx | Artemis™ Valance 3¼" |
| 7b. | 7300118000 | LiteRise C2 Motor (Beige) | 22. | 2980246000 | Child Safety Kit (Cord Cleat) |
| 7c. | 7300119000 | LiteRise C2 Motor (Gray) | 23a. | 3KEYxxx | Decorative Keystone 3¾" |
| 7d. | 7300120000 | LiteRise C2 Motor (Black) | 23b. | 5KEYxxx | Decorative Keystone 5" |
| 7e. | 7300187000 | LiteRise C2 Motor (Red) | 24a. | 7300137000 | Extension Pole |
| 8. | 7300139000 | 2" LiteRise Motor Clamp | 24b. | 7300138000 | Tip for Extension Pole |
| 9a. | 7300221000 | LiteRise C2 Transmission (Beige) | 25. | 7007240000 | Cornice Mounting Clip for Valance with Dust Cover - 2" Rail |
| 9b. | 7300185000 | LiteRise C2 Transmission (Natural) | | | |
| 9c. | 7300132000 | LiteRise C2 Transmission Adaptor with Screws | | | |
| 10. | 5908027000 | "D" Tiltrod (1 each for tilt and lift) | | | |
| 11a. | 5003074xxx | No Loop Cable Tape – 44 mm | | | |
| 11b. | 5003308000 | 2" Cable Tape Grommet (Bottom) | | | |
| 11c. | 7007074000 | 2" Tape Spacer | | | |
| 12a. | 5009077xxx | 0.9 mm Lift Cord | | | |
| 12b. | 5008083000 | Lift Cord Grommet | | | |

xxx = 3-digit color code