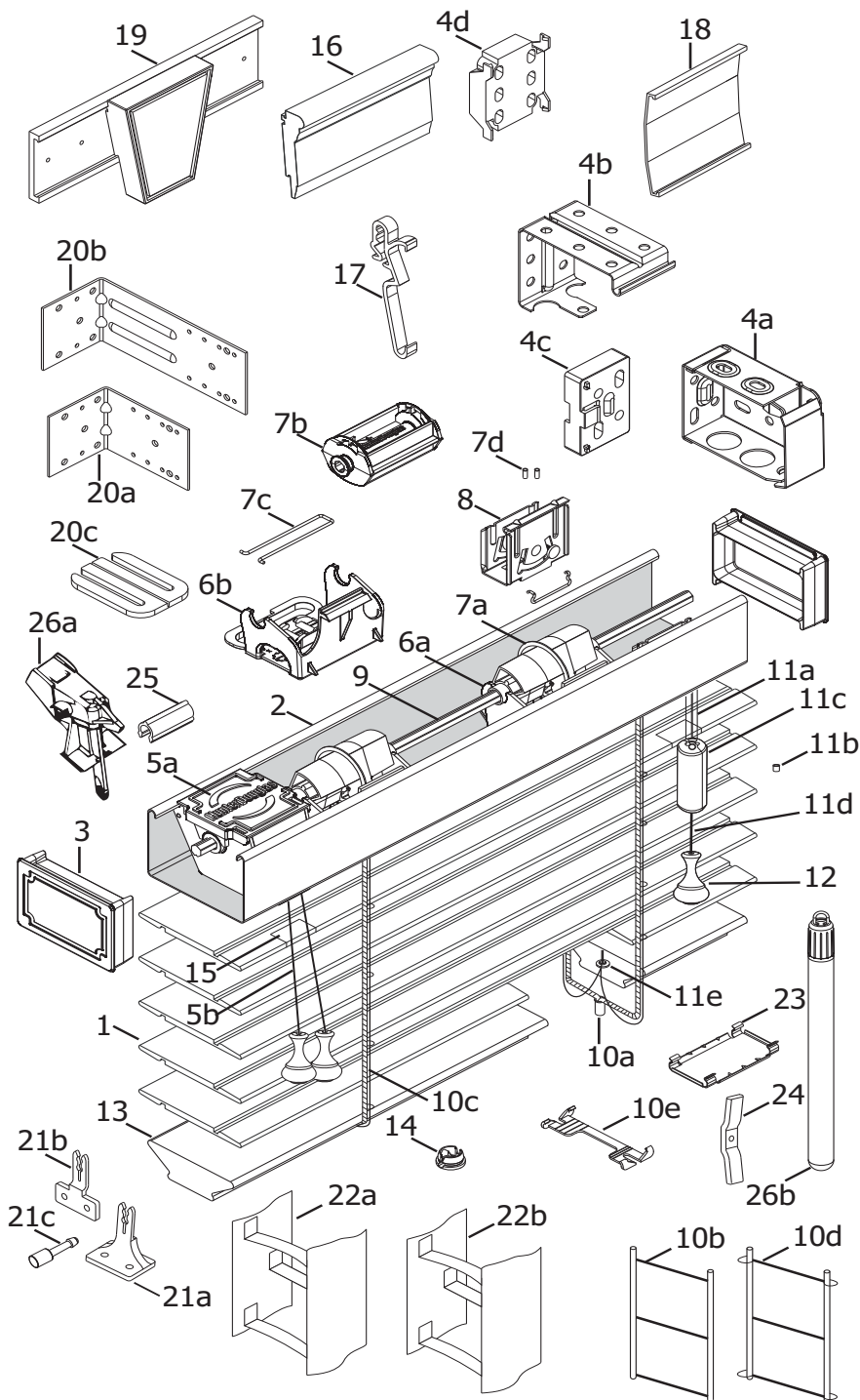


# 2½" Exposé™ Fontana Ridge



## Standard Parts

1. Slat
2. Headrail
3. Headrail End Cap
- 4a. Installation Bracket
- 4b. Intermediate Support Bracket
- 4c. Spacer Block Bracket
- 4d. Spacer Block Support Bracket
- 5a. Cord Tilter
- 5b. Tilt Cord 1.4 mm
- 6a. Support Tape Roll (Ladders)
- 6b. Support Tape Roll (Dec Tapes)
- 7a. Tape Roll Wide EPIC™ (Ladders)
- 7b. Tape Roll 2" Unv. EPIC (Dec Tapes)
- 7c. Tape Roll Pin (Dec Tapes)
- 7d. "X" Tape Locator Grommet (Top)
8. Cordlock
9. Tiltrod
- 10a. 2" Cable Tape Grommet
- 10b. No Loop Cable Tape
- 10c. Single Loop Cable Tape
- 10d. Double Loop Cable Tape
- 10e. Tape Spacer
- 11a. Lift Cord 1.4 mm
- 11b. Cord Stop Washer
- 11c. Cord Stop
- 11d. Tassel Cord 2.2 mm
- 11e. Lift Cord Grommet
12. Wood Tassel (Exposé™)
13. Bottom Rail
14. Tape Button
15. Slat Protector
16. Ridge Valance
17. Universal Valance Clip
18. Valance Splice

## Optional Parts

- |                               |                               |                                   |
|-------------------------------|-------------------------------|-----------------------------------|
| 19. Decorative Keystone 4"    | 21b. Hold-Down Bracket (Jamb) | 23. Tape Lock                     |
| 20a. Short Extension Bracket  | 21c. Hold-Down Pin            | 24. Child Safety Kit (Cord Cleat) |
| 20b. Long Extension Bracket   | 22a. Solid Colored & Printed  | 25. Clip                          |
| 20c. Bracket Shim             | Decorative Tape               | 26a. Wand Tilter                  |
| 21a. Hold-Down Bracket (Sill) | 22b. Decorative Tape          | 26b. Wand                         |

# 2½" Exposé™ Fontana Ridge

<b>No.</b>	<b>PCN</b>	<b>Description</b>	<b>No.</b>	<b>PCN</b>	<b>Description</b>
1.	GSxxx	2½" Wood Slat	17.	7007845000	Universal Valance Clip
2.	5003006xxx	2" Low Profile Headrail	18.	7007541000	Valance Splice
3.	5908035000	2" Low Profile Headrail End Cap	<b>Optional Parts:</b>		
4a.	5003046xxx	2" Low Profile Installation Bracket	19.	4KEYxxx	Decorative Keystone 4"
4b.	5003158000	2" Low Profile Intermediate Support Bracket	20a.	5003167000	2" Low Profile Extension Bracket (Short)
4c.	5003142000	Spacer Block 2" Low Profile Bracket (¾" Thick)	20b.	5003168000	2" Low Profile Extension Bracket (Long)
4d.	5003156000	Spacer Block 2" Low Profile Support Bracket (¾" Thick)	20c.	7007069000	⅛" Bracket Shim
5a.	5003874000	2" Low Profile Cord Tilter EPIC™	21a.	7007075000	2" Hold-Down Bracket (Sill)
5b.	5009075xxx	1.4 mm Tilt Cord	21b.	7007076000	2" Hold-Down Bracket (Jamb)
6a.	5003572000	Support Tape Roll 2" Unv. Ladders-B	21c.	5007307000	Hold-Down Pin
6b.	5003582000	Support Tape Roll 2" Unv. Dec Tapes	22a.	7002743xxx	2½" Solid Colored & Printed Decorative Tape
7a.	5003681000	Wide Tape Roll EPIC	22b.	7002221xxx	2½" Decorative Tape
7b.	5003680000	Tape Roll 2" EPIC-B	23.	7004036xxx	Wood Bottom Rail Tape Lock
7c.	5003679000	Tape Roll Pin (Used For Dec Tapes)	24.	2980246000	Child Safety Kit (Cord Cleat)
7d.	5008047000	"X" Tape Locator Grommet (Top)	25.	5003251000	Clip 2" Omega
8.	5003367000	2" Low Profile Cordlock EPIC	26a.	5003768000	2" Low Profile Wand Tilter
9.	5003033000	2" Low Profile Tiltrod – Modified Hex	26b.	Wood Wand	
10a.	5003308000	2" Cable Tape Grommet (Bottom)	WDA24xxx*	24"	
10b.	5003073xxx	No Loop Cable Tape – 54 mm	WDA30xxx*	30"	
10c.	5003083xxx	Single Loop Cable Tape – 54 mm	WDA36xxx*	36"	
10d.	5003086xxx	Double Loop Cable Tape – 54 mm	WDA48xxx*	48"	
10e.	7007078000	2½" Tape Spacer	*Wood wand assembly comprised of:		
11a.	5009075xxx	1.4 mm Lift Cord	- Wood Wand		
11b.	5008087000	Cord Stop Washer	- Wood Wand Connector Kit (Wand Cap - 7008700000)		
11c.	7007736xxx	Cylindrical Cord Stop			
11d.	2930320xxx	2.2 mm Tassel Cord			
11e.	5008083000	Lift Cord Grommet			
12.	WTAxxx	Wood Tassel (Exposé™)			
13.	DRxxx	Deluxe Wood Bottom Rail			
14.	7004034xxx	Wood Tape Button			
15.	7007071000	Beveled Slat Protector			
16.	JVxxx	Ridge Valance 3½"			

xxx = 3-digit color code