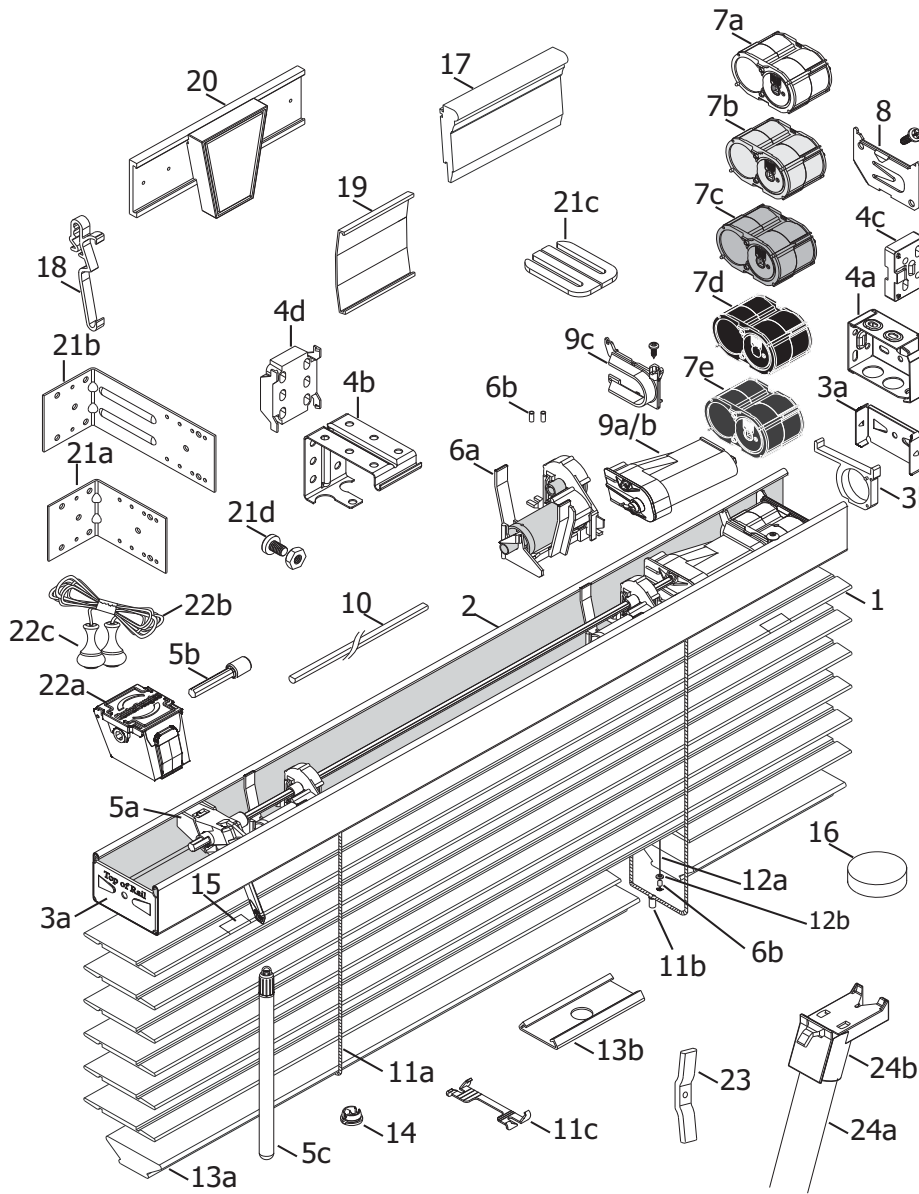


2½" Exposé™ Fontana Ridge with LiteRise®



Standard Parts

1. Slat
2. Headrail
- 3a. Headrail End Lock
- 3b. Motor Spacer
- 4a. Installation Bracket
- 4b. Intermediate Support Bracket
- 4c. Spacer Block Bracket
- 4d. Spacer Block Support Bracket
- 5a. Wand Tilter
- 5b. Tilter Adapter D-Rod
- 5c. Wand
- 6a. LiteRise® Lift and Tilt Roll Assembly with Hole
- 6b. "X" Tape Locator
- 7a. LiteRise C2 Motor (Natural)
- 7b. LiteRise C2 Motor (Beige)
- 7c. LiteRise C2 Motor (Gray)
- 7d. LiteRise C2 Motor (Black)
- 7e. LiteRise C2 Motor (Red)
8. 2" LiteRise Motor Clamp
- 9a/b. LiteRise C2 Transmission (Beige)
- 9c. LiteRise C2 Transmission Adapter
10. Tiltrod
- 11a. No Loop Cable Tape
- 11b. 2" Cable Tape Grommet
- 11c. Tape Spacer
- 12a. Lift Cord 0.9 mm
- 12b. Lift Cord Grommet
- 13a. Deluxe Wood Bottom Rail
- 13b. Bottom Rail Handle
14. Tape Button
15. Slat Protector
16. Bottom Rail Weight
17. Ridge Valance 3½"
18. Universal Valance Clip
19. Valance Splice

Optional Parts

20. Decorative Keystone 4"
- 21a. Short Extension Bracket
- 21b. Long Extension Bracket
- 21c. Bracket Shim
- 21d. Bracket Extension Screw
- 22a. Cord Tilter
- 22b. Tilt Cord 1.4mm
- 22c. Wood Tassel
23. Child Safety Kit (Cord Cleat)
- 24a. Extension Pole
- 24b. Tip for Extension Pole

2½" Exposé™ Fontana Ridge with LiteRise®

No.	PCN	Description	No.	PCN	Description
1.	GSxxx	2½" Wood Slat	13a.	DRxxx	Deluxe Wood Bottom Rail
2.	5003006xxx	2" Low Profile Headrail	13b.	7300134000	LiteRise Wood Bottom Rail Handle
3a.	5003655000	2" Low Profile Headrail End Lock	14.	7004034xxx	Wood Tape Button
3b.	7300180000	Motor Spacer	15.	7007071000	Beveled Slat Protector
4a.	5003046000	2" Low Profile Installation Bracket	16.	7007067000	Wood Bottom Rail Weight
4b.	5003158000	2" Low Profile Intermediate Support Bracket	17.	JVxxx	Ridge Valance 3½"
4c.	5003142000	Spacer Block 2" Low Profile Bracket (¾" Thick)	18.	7007845000	Universal Valance Clip
4d.	5003156000	Spacer Block 2" Low Profile Support Bracket (¾" Thick)	19.	7007541000	Valance Splice
5a.	5003768000	2" Low Profile Wand Tilter	Optional Parts:		
5b.	5003872000	2" Low Profile Tilter Adapter D-Rod	20.	4KEYxxx	Decorative Keystone 4"
5c.	Wood Wand		21a.	5003167000	2" Low Profile Extension Bracket (Short)
	WDA24xxx*	24"	21b.	5003168000	2" Low Profile Extension Bracket (Long)
	WDA30xxx*	30"	21c.	7007069000	½" Bracket Shim
	WDA36xxx*	36"	21d.	5008068000	Bracket Extension Screw
	WDA48xxx*	48"	22a.	5003874000	2" Low Profile Cord Tilter EPIC™
	*Wood wand assembly comprised of:		22b.	5009075xxx	1.4 mm Tilt Cord
	- Wood Wand		22c.	WTAxxx	Wood Tassel (Exposé™)
	- Wood Wand Connector Kit (Wand Cap - 7008700000)		23.	2980246000	Child Safety Kit (Cord Cleat)
6a.	7300155000	LiteRise® Lift and Tilt Roll Assembly with Hole	24a.	7300137000	Extension Pole
6b.	5008047000	"X" Tape Locator Grommet (Top)	24b.	7300138000	Tip for Extension Pole
7a.	7300117000	LiteRise C2 Motor (Natural)	xxx = 3-digit color code		
7b.	7300118000	LiteRise C2 Motor (Beige)			
7c.	7300119000	LiteRise C2 Motor (Gray)			
7d.	7300120000	LiteRise C2 Motor (Black)			
7e.	7300187000	LiteRise C2 Motor (Red)			
8.	7300139000	2" LiteRise Motor Clamp			
9a.	7300221000	LiteRise C2 Transmission (Beige)			
9b.	7300185000	LiteRise C2 Transmission (Natural)			
9c.	7300132000	LiteRise C2 Transmission Adapter with Screws			
10.	5908027000	"D" Tiltrod (1 each for tilt and lift)			
11a.	5003073xxx	No Loop Cable Tape - 54 mm			
11b.	5003308000	2" Cable Tape Grommet (Bottom)			
11c.	7007078000	2½" Tape Spacer			
12a.	5009077xxx	0.9 mm Lift Cord			
12b.	5008083000	Lift Cord Grommet			