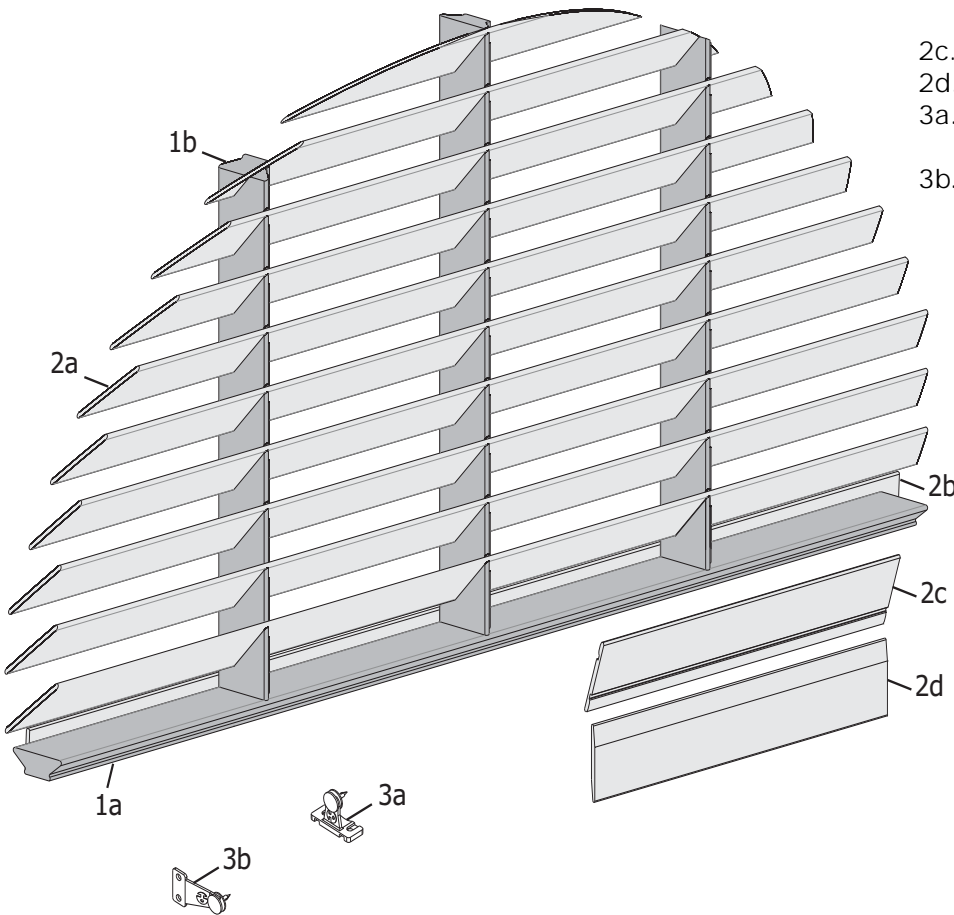


2", 2½" & 2⅝" Fixed Slat Specialty Shapes

Standard Parts

- 1a. Bottom Rail
- 1b. Bottom Rail (Upright)
- 2a. 2" Country Woods® Slat
- 2b. Extra Slat (2" Country Woods® or 2½" Fontana Ridge)
- 2c. Exposé™ Fontana Ridge Slat
- 2d. Reflections® Slat
- 3a. Hold Down Bracket - Sill/Wall (OB Mount)
- 3b. Hold Down Bracket - Jamb (IB Mount)



Note:

This illustration applies to all of our fixed slat specialty shapes (2" Classics™, 2½" Exposé™ Fontana Ridge and 2⅝" Reflections®). Octagon, Hexagon, Circle and Oval shapes will not have a horizontal bottom rail.

2", 2½" & 2⅝" Fixed Slat Specialty Shapes

No.	PCN	Description
1a.	DRxxx	Deluxe Wood Bottom Rail
1b.	DRxxx	Deluxe Wood Bottom Rail (Upright)
2a.	2Sxxx	2" Country Woods® Slat
2b.	2Sxxx or GSxxx	2" Country Woods® or 2½" Fontana Ridge Extra Slat
2c.	GSxxx	2½" Exposé™ Fontana Ridge Slat
2d.	RSxxx	2⅝" Reflections® Slat
3a.	5007313000	Hold Down Bracket - Sill/Wall (OB Mount)
3b.	5007314000	Hold Down Bracket - Jamb (IB Mount)

xxx = 3-digit color code