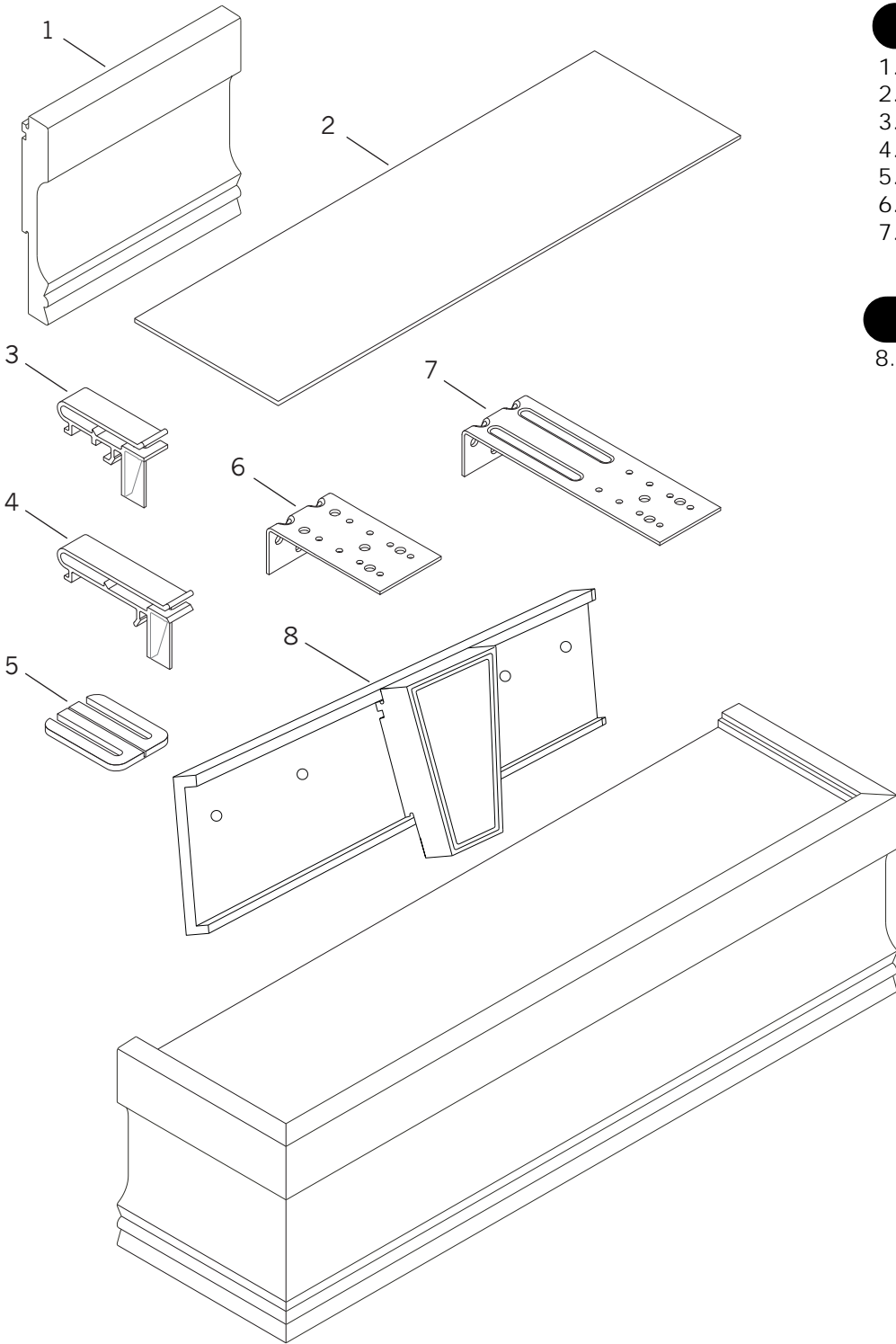


Havencrest™ Valance with Dust Cover Assembly



Standard Parts

- 1. Valance
- 2. Dust Cover
- 3. Cornice Clip
- 4. Low Profile Cornice Clip
- 5. Bracket Shim
- 6. Short Extension Bracket
- 7. Long Extension Bracket

Optional Parts

- 8. Decorative Keystone 5"

Havencrest™ Valance with Dust Cover Assembly

No.	PCN	Description
1.	FCxxx	Havencrest™ Valance
2.	44DST080	Dust Cover
3.	7007340000	Cornice Mounting Clip – 1½" Rail
4.	7007240000	Cornice Mounting Clip – 2" Rail
5.	7007069000	⅛" Bracket Shim
6.	5003167000	2" Low Profile Extension Bracket (Short)
7.	5003168000	2" Low Profile Extension Bracket (Long)
Optional:		
8.	5KEYxxx	Decorative Keystone 5"

xxx = 3-digit color code