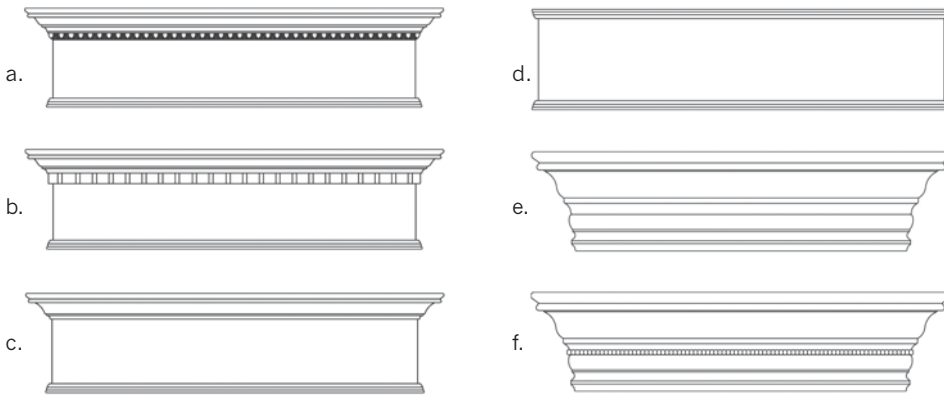
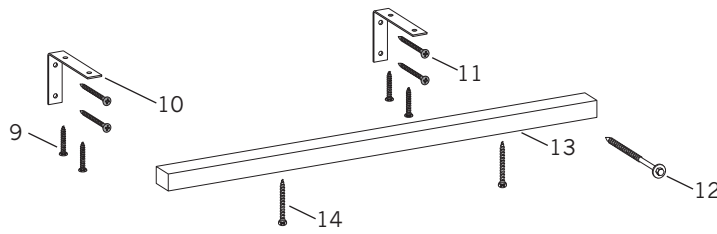


Country Woods® Exposé™ Wood Cornices

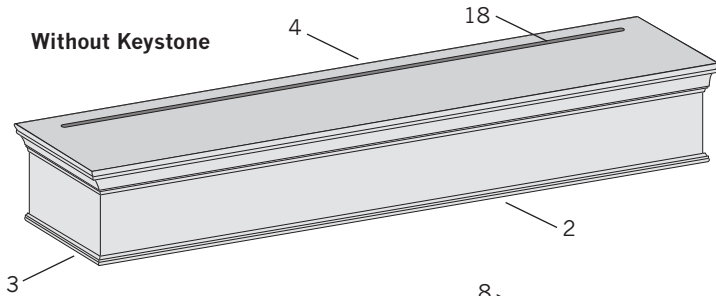


Standard Parts

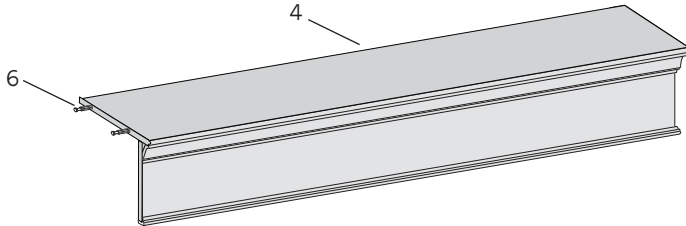
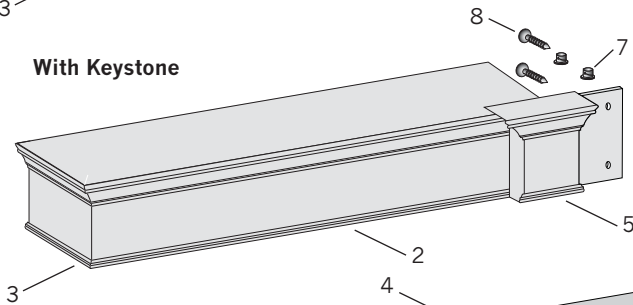
1. Cornice Profile Styles
 - a. Claremont Egg & Dart
 - b. Claremont Dentil
 - c. Inverness
 - d. Townsend
 - e. Zurich
 - f. Zurich Bead
2. Cornice Profile
3. Return
4. Dust Cover
5. Keystone
6. Cam Bolts
7. Cam Locks (Pre-installed)
8. Screw (Phillips, 1¼")
9. Screw (Phillips, ¾")
10. L-Bracket
11. Screw (Phillips 2" Drywall)
12. Screw 3" Hex Head
13. Wood Mounting Strip
14. Screw (Phillips, 1½")



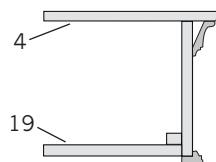
Without Keystone



With Keystone



Mantel Shelf With Bottom Dust Cover
(Profile View)



Optional Parts

15. Shell Appliqué
16. Acanthus Leaf Appliqué
17. Grapevine Appliqué
18. Decorative Plate Groove
19. Bottom Dust Cover (for mantel and decorative shelves)

