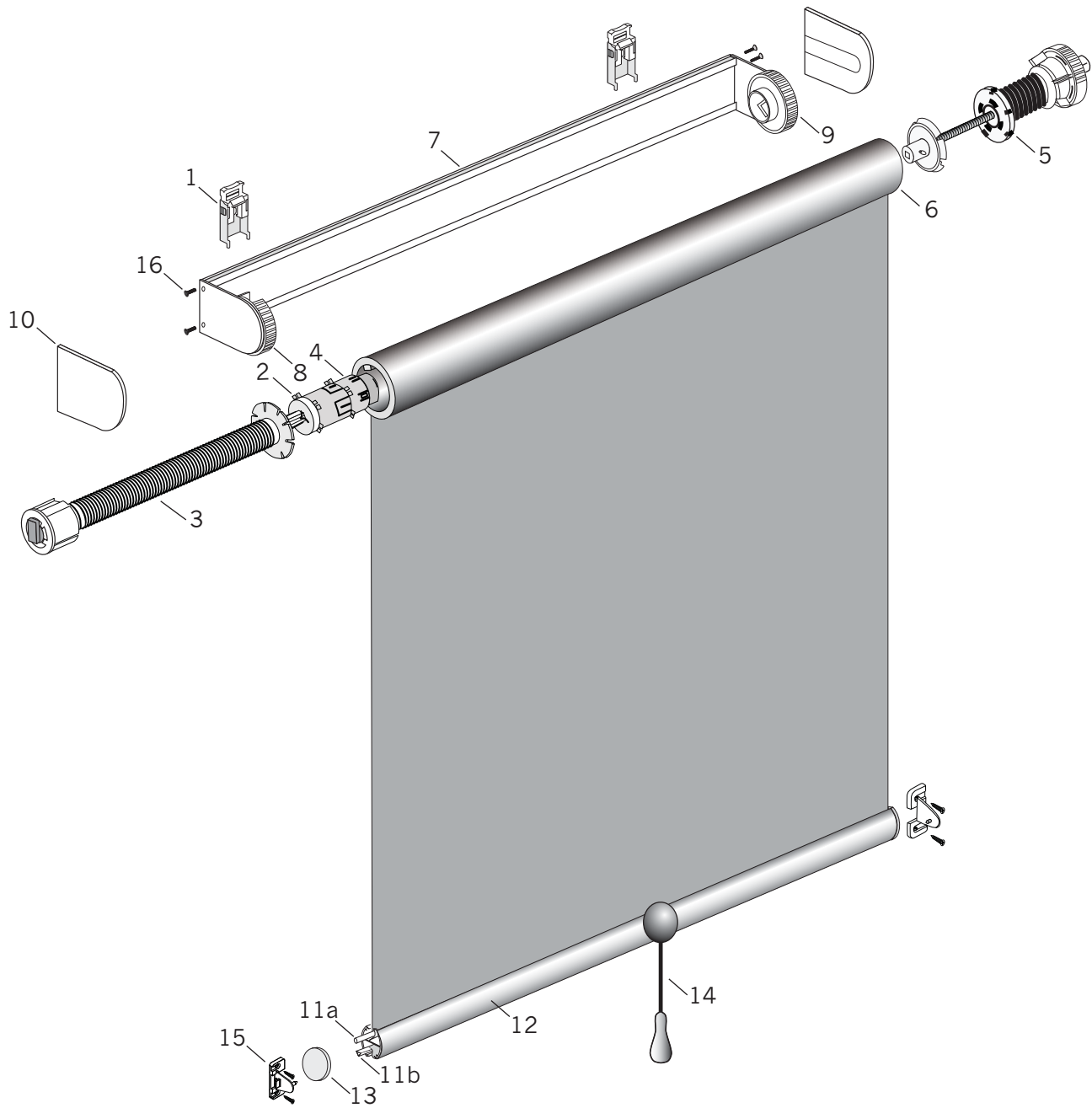


Cordless Lifting System



Standard Parts

- | | | |
|---|--|-----------------------------------|
| 1. Cordless Universal Mounting Brackets | 8. Side Holder (Spring Side) | 13. Plastic Bottom Bar End Caps |
| 2. Clutch and Pin | 9. Side Holder (Stop Controller Side) | 14. Decorative Pull |
| 3. Spring | 10. Side Holder Covers | 15. Hold-Down brackets (Optional) |
| 4. Speed Controller | 11. Profiles
a. = Small Or Large Round
b. = Triangle | 16. Attachment Screws |
| 5. Stop Controller | 12. Round Bottom Bar | |
| 6. Cordless Tube | | |
| 7. Mounting Profile | | |

Cordless Lifting System

No.	PCN	Description	Additional Components
1.	RC445172	3 Pack Cordless Universal Mounting Brackets	RC450120 Winder
2.	Clutch and Pin RC450078 RC450079	Cordless Clutch Pin (to secure Clutch and Spring together)	Shade Options (Upgrades) Decorative Metal End Caps (For Bottom Bar) RC416xxx Beveled RC415xxx Flat Faux Wood Slats RC445323 Double Faced Adhesive For Faux Wood Slat And Designer Tape Trims RC420xxx Faux Wood Slats LIT888248 Faux Wood Slat Label
3.	Spring RC450100 RC450101 RC445322 RC450102 RC450103 RC450104	Set A Set B Set C Set D Set F Set Y	Upgrades for Designer Roller Shades RC403xxx Grosgrain Tape Trim RC404xxx Grosgrain Stripe Tape Trim RC407xxx Herringbone Tape Trim RC406xxx Petite Gimp Trim 445040 Glue for Petite Gimp Trim
4.	Speed Controller RC450095 RC450096	800 GFCM 400 GFCM	Upgrade for Designer Screen Shades RC445340 Sealed Hem Bar
5.	RC450097	Stop Controller	
6.	RC450037	Cordless Tube	
7.	RC450006	Mounting Profile	
8.	Left Side Holder (For Spring Side) (White) RC450112 RC450113	SP Short SP Long	
9.	Side Holder (For Stop Controller Side) (White) RC450114 RC450115	SC Short SC Long	
10.	Side Holder Covers RC450110 RC512048 RC450111 RC513048	Short White Short Black Long White Long Black	
11.	Profiles (for use inside the bottom bar) RC445085 RC445086 RC445087	Small Round Profile (For Thicker Fabrics) Large Round Profile (For Thinner Fabrics) Triangle Profile	LIT888315 Cordless (Std. and Cassette) Roller IOC (English Installation Instructions) LIT888315F Cordless (Std. and Cassette) Roller IOC (French Installation Instructions) LIT888094 "Do Not Remove" wrap (used as outer wrap on finished shades) 888105 Bottom Bar Warning Sticker (English/Spanish) 7106858000 Bottom Bar Warning Sticker (English/French)
12.	RC418xxx	Round Bottom Bar	xxx = Color Code
13.	RC414xxx	Plastic Bottom Bar End Caps	
14.	Decorative Pull (For Use With Round Bottom Bar) RC417xxx RC413xxx	Round Beveled	
15.	PC555270	Plastic Hold-Down Brackets (Optional)	
16.	RC450081	MT01 Attachment Screws	