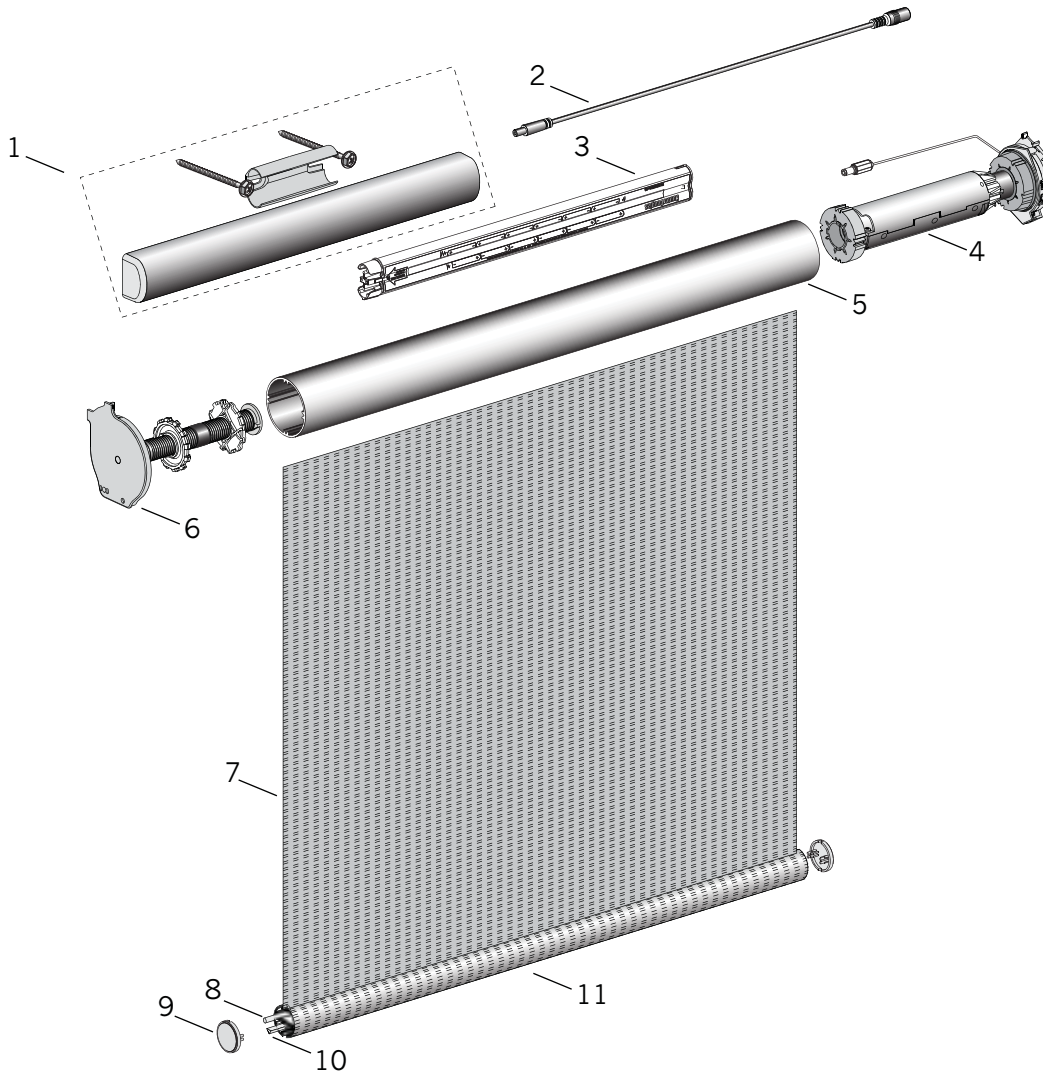


Standard Mounting System



Standard Parts

- | | | |
|----------------------------|----------------------------|-----------------------|
| 1. Satellite Battery Cover | 5. Tube | 9. Bottom Bar End Cap |
| 2. Cable Assembly | 6. Limit Assembly, Bracket | 10. Triangle Profile |
| 3. Battery Wand | 7. Shade Fabric | 11. Round Bottom Bar |
| 4. Motor Assembly, Bracket | 8. Round Profile | |

Standard Mounting System

No.	PCN	Description	Labels / Hang Tags (not shown):	
1.	KIT2520	18 Volt Satellite Battery Cover (Kit includes 15" wire. Longer wire lengths must be ordered separately (See #2 below))	LIT888094	"Do Not Remove" wrap (used as outer wrap on finished shades)
2.	Cable Assembly		888105	Bottom Bar Warning Sticker (English/Spanish)
	2989899000	15" (Standard Cable)	7106858000	Bottom Bar Warning Sticker (English/French)
	2989900000	4'		
	2989901000	10'		
	2989902000	20'		
3.	2920499000	Battery Wand 18-Volt (AA)		
4.	RC445344	Motor Assembly, Bracket		
5.	Tube			
	RC445276L124	2" Roller Tube (10 ft 4 in)		
	RC445276L192	2" Roller Tube (16 ft)		
6.	RC445337	Limit Stop Assembly, Bracket		
7.	N/A	Shade Fabric		
8.	Round Profiles			
	RC445085	Small Round (For Thicker Fabrics)		
	RC445086	Large Round (For Thinner Fabrics)		
9.	RC414xxx	Plastic Bottom Bar End Caps		
10.	RC445087	Triangle Profile		
11.	RC418xxx	Round Bottom Bar		

Shade Options (Upgrades)	
Decorative Metal End Caps (For Bottom Bar)	
RC416xxx	Beveled
RC415xxx	Flat
Faux Wood Slats	
RC445323	Double Faced Adhesive For Faux Wood Slat And Designer Tape Trims
RC420xxx	Faux Wood Slats
LIT888248	Faux Wood Slat Label

Upgrades for Designer Roller Shades	
RC403xxx	Grograin Tape Trim
RC404xxx	Grograin Stripe Tape Trim
RC407xxx	Herringbone Tape Trim
RC406xxx	Petite Gimp Trim
445040	Glue for Petite Gimp Trim

Upgrade for Designer Screen Shades	
RC445340	Sealed Hem Bar

XXX = Color Code