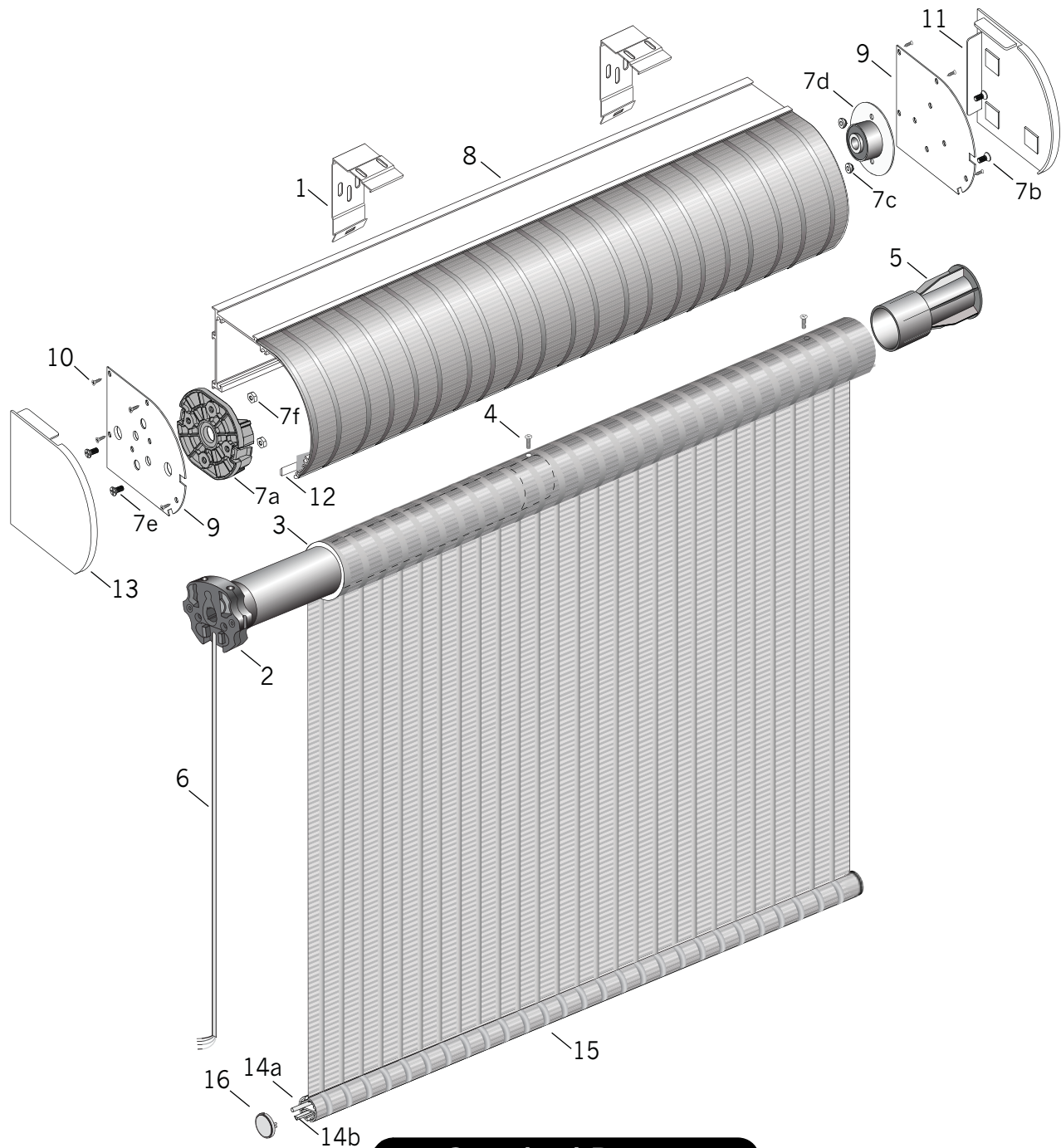


Motorized (HD634A) With Cassette System



Standard Parts

- | | | |
|---------------------------------------|--|---------------------------------|
| 1. Large Cassette Brackets | 7c. Clinch Nut | 11. Cassette End Caps Glue Pads |
| 2. Motor | 7d. Round Anti-Vibration Idler Bracket | 12. Cassette Wrap Components |
| 3. 2" Aluminum Tube | 7e. Flat Head Phillips Undercut Screw | 13. Large Cassette End Cap |
| 4. Disc Screws | 7f. Hex Nut | 14a. Round Profile |
| 5. Universal End Plug | 8. Large Cassette Profile | 14b. Triangle Profile |
| 6. Power Cord | 9. Cassette End Plates | 15. Round Bottom Bar |
| 7a. Motor Mount Bracket | 10. End Plate Screws | 16. Plastic Bottom Bar End Caps |
| 7b. Flat Head Phillips Undercut Screw | | |

Motorized (HD634A) With Cassette System

No.	PCN	Description	Shade Options (Upgrades):	
1.	NA	Large Cassette Brackets	Decorative Metal End Caps (For Bottom Bar)	
	RC412048	2 Pack - Black	RC416xxx	Beveled
	RC412977	2 Pack - Gray	RC415xxx	Flat
	RC412874	2 Pack - White	Faux Wood Slats	
	RC492048	3 Pack - Black	RC445323	Double Faced Adhesive For Faux Wood Slat And Designer Tape Trims
	RC492977	3 Pack - Gray	RC420xxx	Faux Wood Slats
	RC492874	3 Pack - White	LIT888248	Faux Wood Slat Label
2.	RC445148	HD634A Motor	Upgrades for Designer Roller Shades	
3.	RC445083	2" Aluminum Tube (16') With Tape	RC403xxx	Grosgrain Tape Trim
4.	WWC900155	Disc Screws	RC404xxx	Grosgrain Stripe Tape Trim
5.	RC450076	Universal End Plug	RC407xxx	Herringbone Tape Trim
6.	N/A	Power Cord (Supplied With Motor)	RC406xxx	Petite Gimp Trim
7a.	RC445308	Motor Mount Bracket	445040	Glue for Petite Gimp Trim
7b.	RC450070	6-32 x 3/16" Flat Head Phillips Undercut Screw	Upgrade for Designer Screen Shades	
7c.	RC450069	6-32 Clinch Nut	RC445340	Sealed Hem Bar
7d.	RC450075	Round Anti-Vibration Idler Bracket	Installation Instructions/Labels/Hang Tags:	
7e.	RC445143	8-32 X 3/16" Flat Head Phillips Undercut Screw	LIT888245C	Quiet Motorized Roller (Standard And Cassette) IOC (Installation Instructions)
7f.	PC555151	8-32 Hex Nut	LIT888245CF	Quiet Motorized Roller (Standard And Cassette) IOC (Installation Instructions) (French)
8.	RC466xxx	Large Cassette Profile 16'	LIT888094	"Do Not Remove" wrap (Used As Outer Wrap On Finished Shades)
9.	NA	Cassette End Plates (Roman/Motorized/Cordless)	888105	Bottom Bar Warning Sticker (English/Spanish)
	RMC601000L	Left Side	7106858000	Bottom Bar Warning Sticker (English/French)
	RMC601000R	Right Side		
10.	RC450003	Cassette End Plate Screws	xxx = Color Code	
11.	RC450059	Cassette End Caps Glue Pads		
12.	NA	Cassette Wrap Components		
	RC450058	Double Face Tape		
	PC444959	Glue		
	444958	Polycarbonate Strip (For Thinner Fabrics)		
	RC445269	Small Polycarbonate Strip (For Thicker Fabrics)		
	RC445280	1/4" Tape For RC445269 Only		
13.	RC456xxx	Large Cassette End Cap		
14a	RC445085	Small Round Profile (For Thicker Fabrics)		
	RC445086	Large Round Profile (For Thinner Fabrics)		
14b	RC445087	Triangle Profile		
15.	RC418xxx	Round Bottom Bar		
16.	RC414xxx	Plastic Bottom Bar End Caps		

Additional Components (Not Shown):

RC445156 50 mm Drive