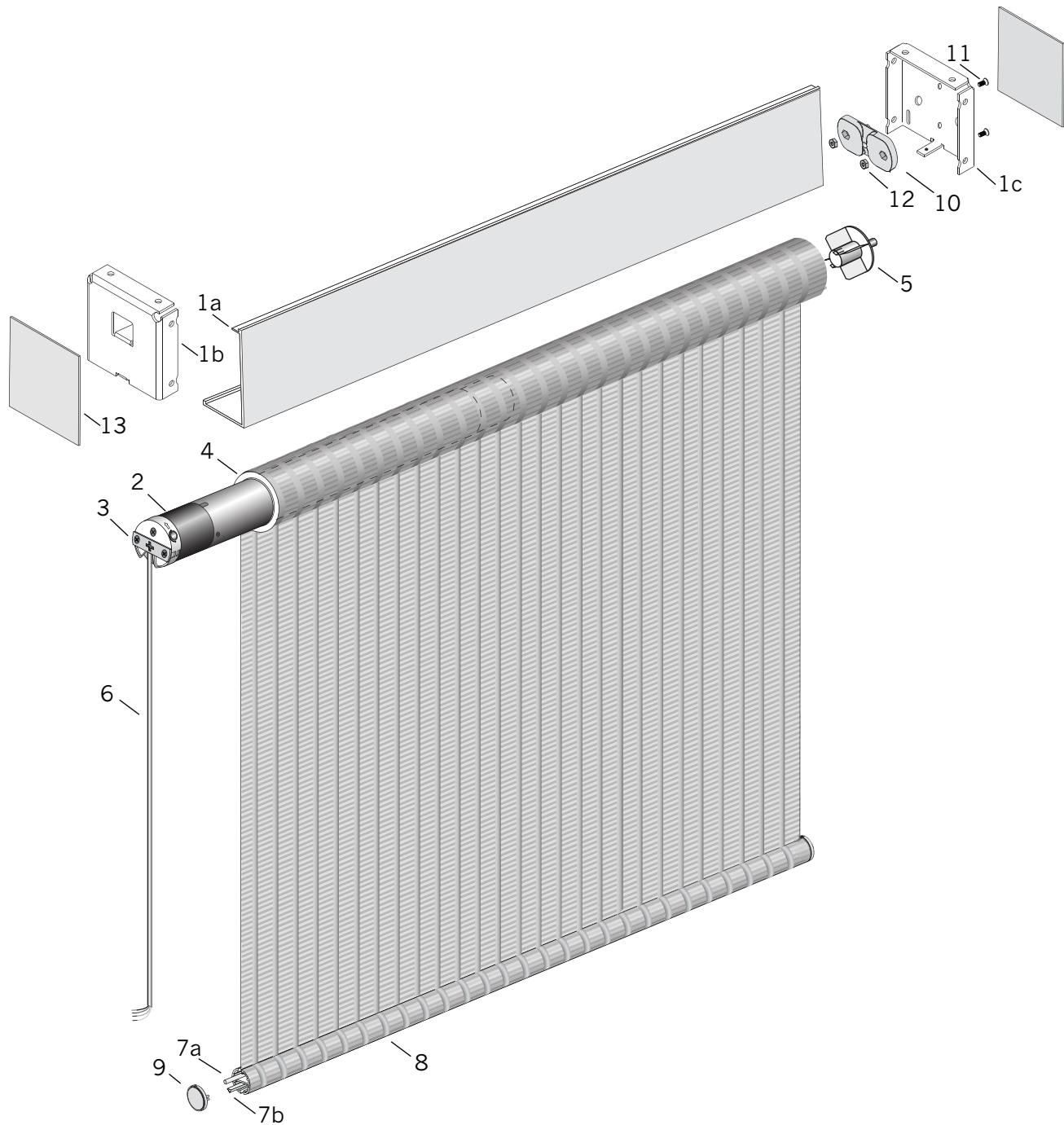


Motorized (HD228A) With Fascia



Standard Parts

- | | | |
|--------------------------------|----------------------------------|--|
| 1a. Fascia Panel | 5. Spring Pin End Assembly | 10. Idler Mount for 4" Fascia |
| 1b. Fascia Bracket, Motor Side | 6. Power Cord | 11. Flat Head Phillips Screw |
| 1c. Fascia Bracket, Idler Side | 7a. Round Bottom Rail Profile | 12. Hex Nut |
| 2. HD228A Motor | 7b. Triangle Bottom Rail Profile | 13. Fascia Bracket End Plates (Optional) |
| 3. 228 Motor Bracket | 8. Round Bottom Bar | |
| 4. Tube | 9. Bottom Bar End Cap | |

Motorized (HD228A) With Fascia

| No. | PCN | Description | Shade Options (Upgrades): | |
|------------|---------------------------|---|--|---|
| 1a. | NA | 4" Fascia Panel | Decorative Metal End Caps (For Bottom Bar) | |
| | RC445059 | Polar White | RC416xxx | Beveled |
| | RC445060 | Vanilla | RC415xxx | Flat |
| | RC445061 | Umber | Faux Wood Slats | |
| | RC445070 | Anodized | RC445323 | Double Faced Adhesive For Faux Wood Slat And Designer Tape Trims |
| | RC402048 | Black | | |
| 1b. | NA | 4" (R8) Fascia Brackets, Motor Side | RC420xxx | Faux Wood Slats |
| | RC510048 | Black | LIT888248 | Faux Wood Slat Label |
| | RC510785 | Polar White | Upgrades for Designer Roller Shades | |
| | RC510350 | Vanilla | RC403xxx | Grosgrain Tape Trim |
| | RC510064 | Umber | RC404xxx | Grosgrain Stripe Tape Trim |
| | RC510865 | Anodized | RC407xxx | Herringbone Tape Trim |
| 1c. | NA | 4" Fascia Brackets, Idler Side (Motorized) | RC406xxx | Petite Gimp Trim |
| | RC478048 | Black | 445040 | Glue for Petite Gimp Trim |
| | RC478785 | Polar White | Upgrade for Designer Screen Shades | |
| | RC478350 | Vanilla | RC445340 | Sealed Hem Bar |
| | RC478064 | Umber | Installation Instructions/Labels/Hang Tags: | |
| | RC478865 | Anodized | LIT888245C | Quiet Motorized Roller (Standard And Cassette) IOC (Installation Instructions) |
| 2. | RC445146 | Motor HD228A | LIT888245CF | Quiet Motorized Roller (Standard And Cassette) IOC (Installation Instructions) (French) |
| 3. | RC445161 | 228 Motor Bracket | LIT888094 | "Do Not Remove" wrap (Used As Outer Wrap On Finished Shades) |
| 4. | RC445304L192 | 16' Roller Tube For 228 Motor | 888105 | Bottom Bar Warning Sticker (English/Spanish) |
| 5. | RC445306 | Assembly Kit-Spring Pin End & Crown & Drive Set (Not Shown) | 7106858000 | Bottom Bar Warning Sticker (English/French) |
| 6. | N/A | Power Cords (Supplied With Motor) | xxx = Color Code | |
| 7a. | RC445085 | Small Round Profile (For Thicker Fabrics) | | |
| | RC445086 | Large Round Profile (For Thinner Fabrics) | | |
| 7b. | RC445087 | Triangle Profile | | |
| 8. | RC418xxx | Round Bottom Bar | | |
| 9. | RC414xxx | Plastic Bottom Bar End Caps | | |
| 10. | RC445309 | Idler Mount for 4" Fascia, 228 Motor | | |
| 11. | RC445317 | 8-32 X 3/8" Flat Head Phillips Screw | | |
| 12. | PC555151 | 8-32 Hex Nut | | |
| 13. | Fascia Bracket End Plates | | | |
| | RC430048 | 4" Black | | |
| | RC430350 | 4" Vanilla | | |
| | RC430785 | 4" Polar White | | |
| | RC430864 | 4" Umber | | |
| | RC430988 | 4" Anodized | | |