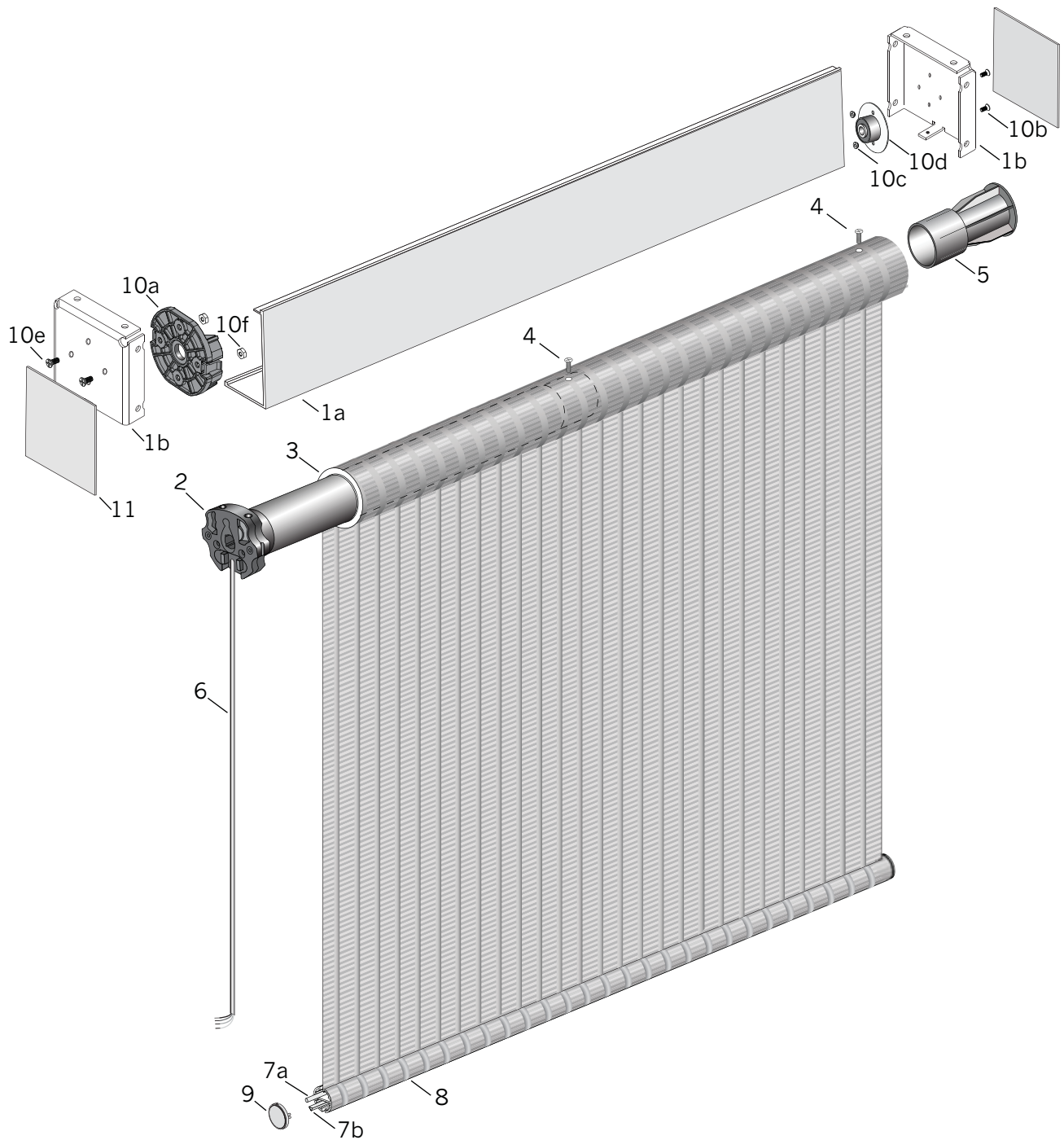


Motorized (HD634A & HD1234A) With Fascia



Standard Parts

- | | | |
|-----------------------|--|--|
| 1a. Fascia Panel | 7a. Round Bottom Rail Profile | 10c. Clinch Nut |
| 1b. Fascia Brackets | 7b. Triangle Bottom Rail Profile | 10d. Idler Bracket |
| 2. Motor | 8. Round Bottom Bar | 10e. Flat Head Phillips Screw |
| 3. Aluminum Tube | 9. Bottom Bar End Cap | 10f. Hex Nut |
| 4. Disk Screws | 10a. Bracket | 11. Fascia Bracket End Plates (Optional) |
| 5. Universal End Plug | 10b. Flat Head Phillips Undercut Screw | |
| 6. Power Cord | | |

