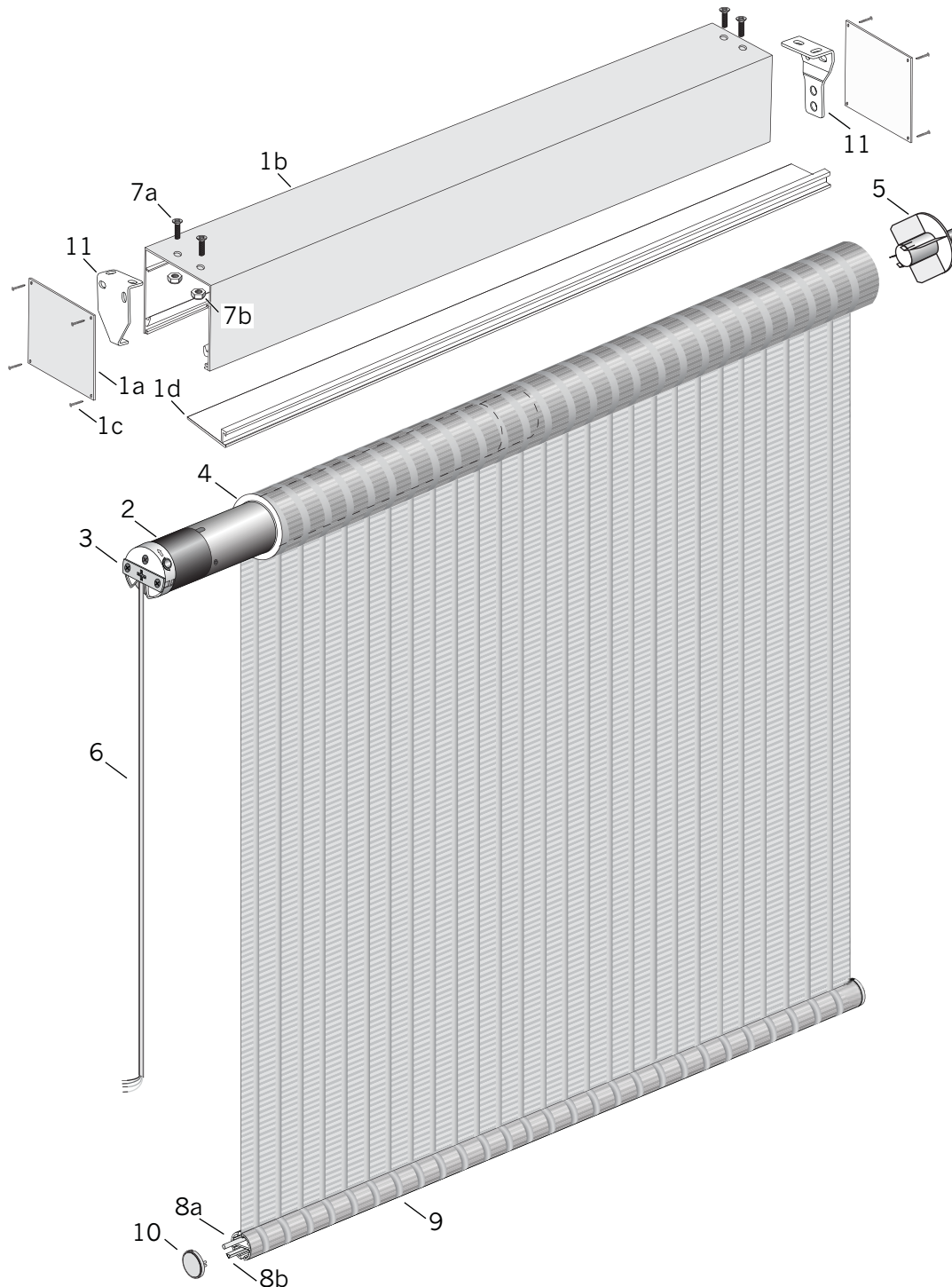


# Motorized (HD228A) With Pocket



## Standard Parts

- |                              |                                      |                                 |
|------------------------------|--------------------------------------|---------------------------------|
| 1a. Pocket End Plates        | 4. Tube                              | 8a. Round Profile               |
| 1b. Pocket                   | 5. Spring Pin End Assembly           | 8b. Triangle Profile            |
| 1c. Pocket End Plate Screws  | 6. Power Cords (Supplied With Motor) | 9. Round Bottom Bar             |
| 1d. 3" Pocket Bottom Closure | 7a. Flat Head Screw                  | 10. Plastic Bottom Bar End Caps |
| 2. Motor                     | 7b. Lock Nut                         | 11. 2" Installation Brackets    |
| 3. 228 Motor Bracket         |                                      |                                 |

# Motorized (HD228A) With Pocket

No.	PCN	Description	Installation Instructions/Labels/Hang Tags:
1a.	RC506675	5¼" Pocket End Plate - Polar White	LIT888245C Quiet Motorized Roller (Standard And Cassette) IOC (Installation Instructions)
	RC506000	5¼" Pocket End Plate - Anodized	
1b.	RC503000	5¼" Pocket - Anodized	LIT888245CF Quiet Motorized Roller (Standard And Cassette) IOC (Installation Instructions)
	RC503675	5¼" Pocket - Polar White	
1c.	RC450003	Pocket End Plate Screws	
1d.	RC501000	3" Pocket Bottom Closure - Anodized	LIT888094 "Do Not Remove" wrap (Used As Outer Wrap On Finished Shades)
	RC501675	3" Pocket Bottom Closure - Polar White	
2.	RC445146	Motor HD228A	888105 Bottom Bar Warning Sticker (English/Spanish)
3.	RC445161	228 Motor Bracket	
4.	RC445304L192	16' Roller Tube For 228 Motor	7106858000 Bottom Bar Warning Sticker (English/French)
5.	RC445306	Assembly Kit-Spring Pin End & Crown & Drive Set (Not Shown)	LIT888248 Faux Wood Slat Label
6.	N/A	Power Cords (Supplied With Motor)	xxx = Color Code
7a.	RC445274	10-32 x ½" Flat Head Phillips Undercut Screw	
7b.	RC445273	10-32 Nylon Lock Nut	
8a.	RC445085	Small Round Profile (For Thicker Fabrics)	
	RC445086	Large Round Profile (For Thinner Fabrics)	
8b.	RC445087	Triangle Profile	
9.	RC418xxx	Round Bottom Bar	
10.	RC414xxx	Plastic Bottom Bar End Caps	
11.	RC138000	2" Installation Bracket Kit (R3/R8 with Spring End), 228 Motor, Zinc	

## Shade Options (Upgrades):

Decorative Metal End Caps (For Bottom Bar)

RC416xxx Beveled

RC415xxx Flat

Faux Wood Slats

RC445323 Double Faced Adhesive For Faux Wood Slat And Designer Tape Trims

RC420xxx Faux Wood Slats

LIT888248 Faux Wood Slat Label

## Upgrades for Designer Roller Shades

RC403xxx Grosgrain Tape Trim

RC404xxx Grosgrain Stripe Tape Trim

RC407xxx Herringbone Tape Trim

RC406xxx Petite Gimp Trim

445040 Glue for Petite Gimp Trim

## Upgrade for Designer Screen Shades

RC445340 Sealed Hem Bar