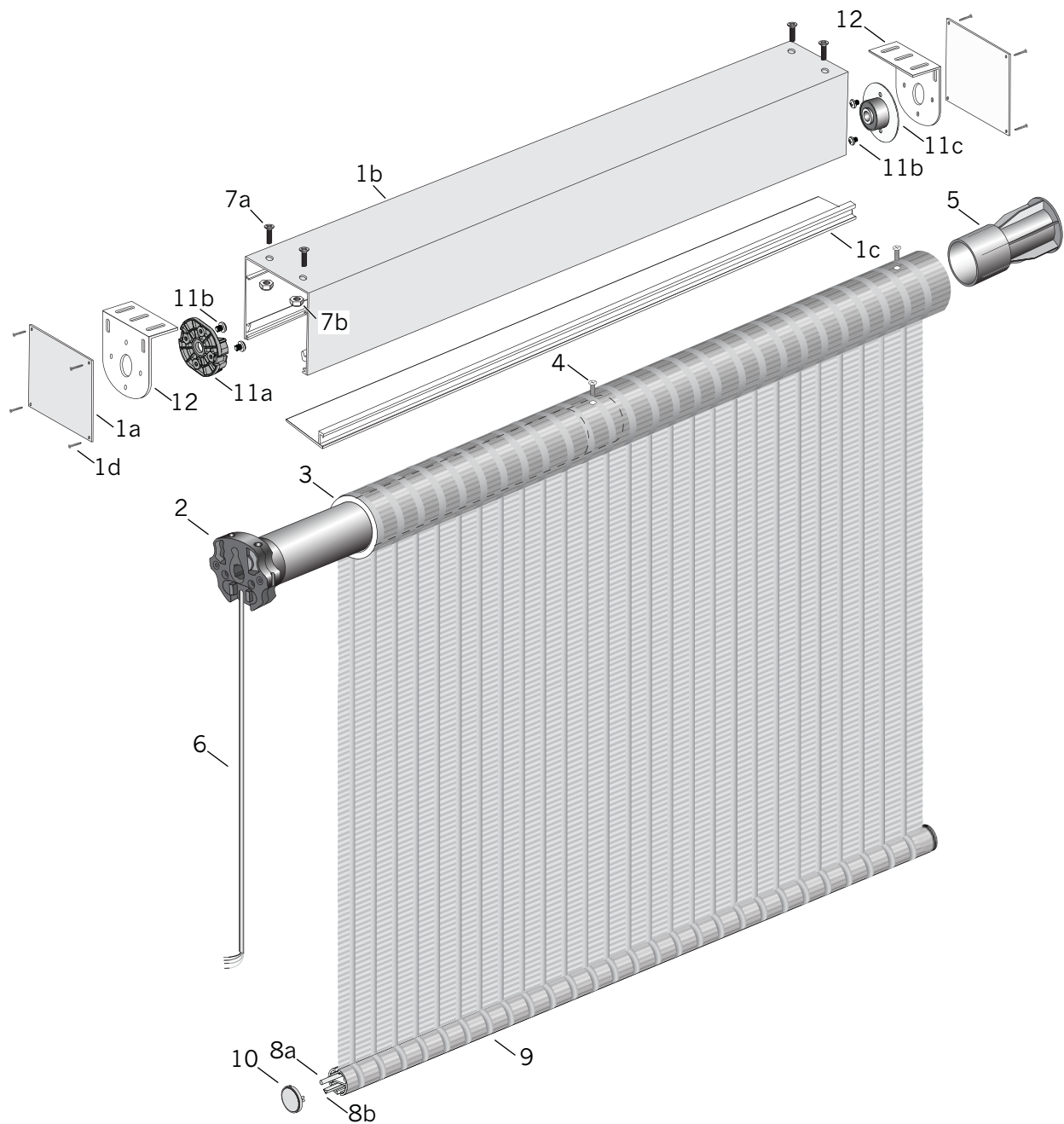


Motorized (HD634A & HD1234A) With Pocket



Standard Parts

- | | | |
|-----------------------------|--|---------------------------------|
| 1a. Pocket End Plates | 5. End Plug | 9. Round Bottom Bar |
| 1b. Pocket | 6. Power Cord | 10. Plastic Bottom Bar End Caps |
| 1c. Pocket Bottom Closure | 7a. Flat Head Phillips Undercut Screw, | 11a. Motor Mount Bracket |
| 1d. Pocket End Plate Screws | 7b. Nylon Lock Nut | 11b. Pan-Head Phillips Screw |
| 2. Motor | 8a. Round Profile | 11c. Idler Bracket |
| 3. 2" Aluminum Tube | 8b. Triangle Profile | 12. Motorized Extended Bracket |
| 4. Disc Screws | | |

Motorized (HD634A & HD1234A) With Pocket

No.	PCN	Description	Shade Options (Upgrades):	
1a.	RC506675	5¼" Pocket End Plate - Polar White	Decorative Metal End Caps (For Bottom Bar)	
	RC506000	5¼" Pocket End Plate - Anodized	RC416xxx	Beveled
1b.	RC503000	5¼" Pocket - Anodized	RC415xxx	Flat
	RC503675	5¼" Pocket - Polar White	Faux Wood Slats	
1c.	RC501000	3" Pocket Bottom Closure - Anodized	RC445323	Double Faced Adhesive For Faux Wood Slat And Designer Tape Trims
	RC501675	3" Pocket Bottom Closure - Polar White	RC420xxx	Faux Wood Slats
1d.	RC450003	Pocket End Plate Screws	LIT888248	Faux Wood Slat Label
2.	Motor Types		Upgrades for Designer Roller Shades	
	RC445148	HD634A	RC403xxx	Grosgrain Tape Trim
	RC445149	HD1234A	RC404xxx	Grosgrain Stripe Tape Trim
3.	RC445083	2" Aluminum Tube (16') With Tape	RC407xxx	Herringbone Tape Trim
4.	WWC900155	Disc Screws	RC406xxx	Petite Gimp Trim
5.	RC450076	End Plug	445040	Glue for Petite Gimp Trim
6.	N/A	Power Cords (Supplied With Motor)	Upgrade for Designer Screen Shades	
7a.	RC445274	10-32 x ½" Flat Head Phillips U-Cut Screw	RC445340	Sealed Hem Bar
7b.	RC445273	10-32 Nylon Lock Nut	Installation Instructions/Labels/Hang Tags:	
8a.	RC445085	Small Round Profile (For Thicker Fabrics)	LIT888245C	Quiet Motorized Roller (Standard And Cassette) IOC (Installation Instructions)
	RC445086	Large Round Profile (For Thinner Fabrics)	LIT888245CF	Quiet Motorized Roller (Standard And Cassette) IOC (Installation Instructions) (French)
8b.	RC445087	Triangle Profile	LIT888094	"Do Not Remove" wrap (Used As Outer Wrap On Finished Shades)
9.	RC418xxx	Round Bottom Bar	888105	Bottom Bar Warning Sticker (English/Spanish)
10.	RC414xxx	Plastic Bottom Bar End Caps	7106858000	Bottom Bar Warning Sticker (English/French)
11a.	RC445308	Motor Mount Bracket		
11b.	RC445313	8-32 X ¾" Pan-Head Phillips Screw		
11c.	RC450075	Round Anti-Vibration Idler Bracket		
12.	RC439000	Motorized Extended Bracket	xxx = Color Code	

Additional Components (Not Shown):

RC445156	50 mm Drive
RC445141	Machine Screw (for End Plug Bracket)
RC445145	#6 Lock Washer (for End Plug Bracket)