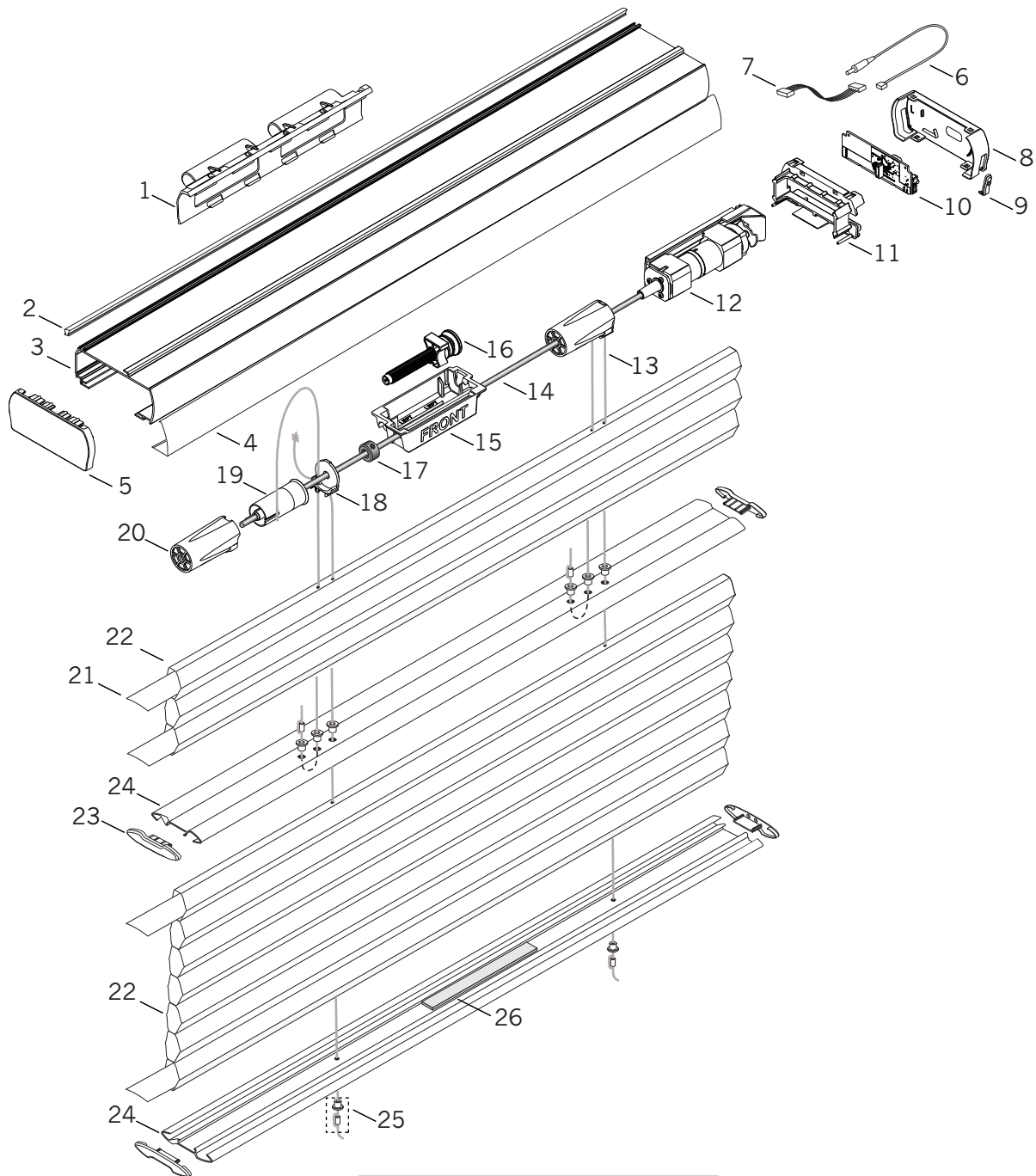


Duette® PowerRise® 2.0 Top-Down with Platinum™ Technology



Standard Parts

- | | | |
|----------------------------|-------------------------|-------------------------------------|
| 1. Battery Bracket | 10. Receiver PCBA 1¼" | 19. Common HR Lift Spool |
| 2. Light-Block Strip | 11. PCBA Mount, 1¼" | 20. Spool Housing, PR |
| 3. Common Headrail, 1¼" | 12. Motor Assembly | 21. Filler Strip, 1Z\√" |
| 4. Common Headrail Valance | 13. Cord, 0.9 mm | 22. Fabric |
| 5. Headrail End Cap, 1¼" | 14. Steel V-Shaft | 23. Bottom Rail End Cap, Duette 1¼" |
| 6. Power Cable | 15. Drop Stop Housing | 24. Bottom Rail, Duette 1¼" |
| 7. Receiver Cable Assembly | 16. Drop Stop Assembly | 25. Pocket & Ferrule |
| 8. Clutch Mount Cover, 1¼" | 17. Shaft Lock Assembly | 26. Duette Rail Weight |
| 9. Lens Cover | 18. Spool Support, PR | |

Duette® PowerRise® 2.0 Top-Down with Platinum™ Technology

No.	PCN	Description
1.	Battery Bracket	
	2920673000	High Mount
	2920674000	Low Mount
2.	2780029000	Light-Block Strip
3.	2770003785	Common Headrail, 1¼"
4.	278900XXXX	Common Headrail Valance
5.	2780050XXX	Headrail End Cap, 1¼"
6.	2920247000	Power Cable
7.	2920698000	Receiver Cable Assembly
8.	2780015XXX	Clutch Mount Cover, 1¼"
9.	2920633000	Lens Cover
10.	Receiver PCBA 1¼"	
	2920832000	RH
	2920907000	LH
11.	2920638000	PCBA Mount, 1¼"
12.	2920441000	Motor Assembly
13.	Cord, 0.9 mm	
	2671000000	White
	2671000895	Black
14.	2770004000	Steel V-Shaft
15.	2780135000	Drop Stop Housing
16.	Drop Stop Assembly	
	2780121000	RH
	2920707000	LH
17.	2920750000	Shaft Lock Assembly
18.	2920033000	Spool Support, PR
19.	2780034000	Common HR Lift Spool
20.	2921273000	Spool Housing, PR
21.	2971311000	Filler Strip, 1¼"
22.	N/A	Fabric
23.	2982343XXX	Bottom Rail End Cap, Duette 1¼"
24.	2971340XXX	Bottom Rail, Duette 1¼"
25.	3200155XXX	Pocket & Ferrule
26.	2982028000	Duette Rail Weight

xxx = 3-digit color code