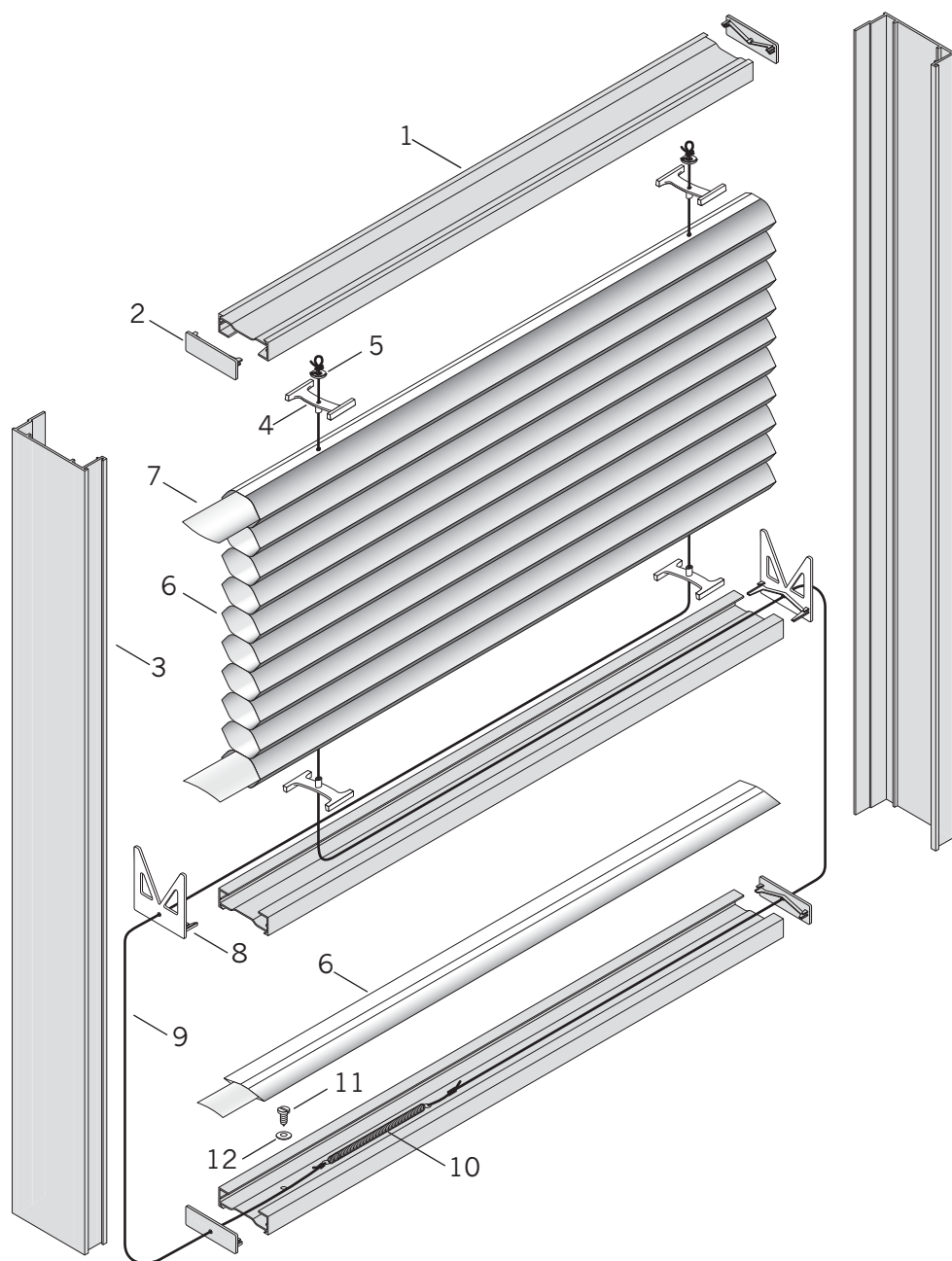


# Duette® with Simplicity™



## Standard Parts

- |                                     |                      |                          |
|-------------------------------------|----------------------|--------------------------|
| 1. Headrail/Moving Rail/Anchor Rail | 5. Washer            | 10. Specialty Spring     |
| 2. End Cap                          | 6. Fabric            | 11. Cord Clamping Screw  |
| 3. Specialty Side Track             | 7. Filler Strip      | 12. Cord Clamping Washer |
| 4. Cord Guide                       | 8. Specialty End Cap |                          |
|                                     | 9. Cord              |                          |

# Duette® with Simplicity™

<b>No.</b>	<b>PCN</b>	<b>Description</b>
1.	Headrail/Moving Rail/Anchor Rail	
	2950010785	3/8"
	2970010785	3/4"
2.	End Cap	
	2950020785	3/8"
	2970020785	3/4"
3.	Specialty Side Track	
	2980041785	3/8"
	2980042785	3/4"
4.	Cord Guide	
	2950100000	3/8"
	2970200000	3/4"
5.	2930130000	Washer
6.	N/A	Fabric (3/8", 3/4", & Double Honeycomb)
7.	Filler Strip	
	2954000000	3/8"
	2974000000	3/4"
8.	Specialty End Cap	
	2980045000	3/8"
	2980040000	3/4"
9.	5009085959	1.2 mm Cord
10.	2980035000	Specialty Spring
11.	2980049000	Cord Clamping Screw
12.	2980043000	Cord Clamping Washer