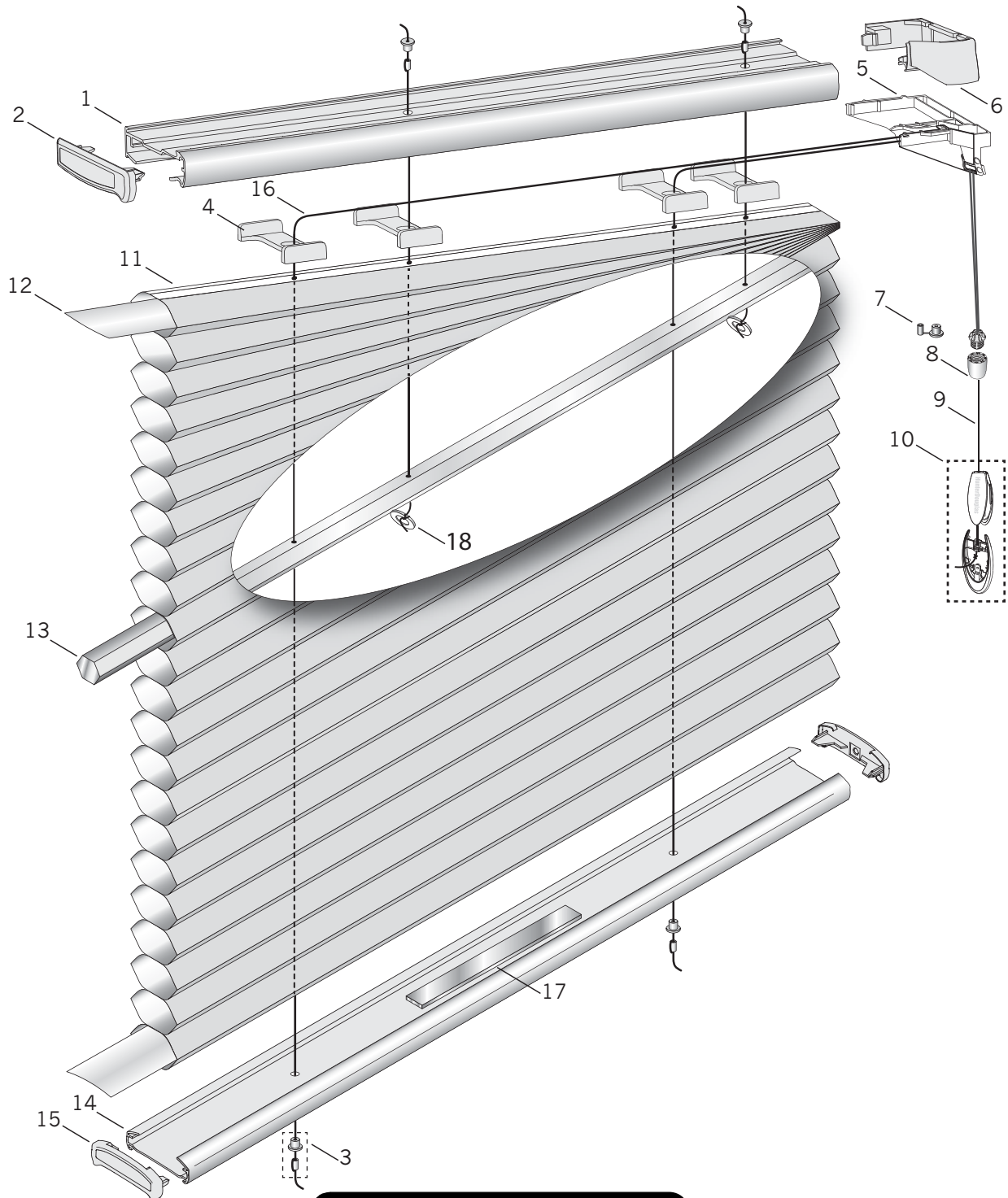


Duette® Angle Top



Standard Parts

- | | | |
|---------------------|-----------------------------|-------------------------|
| 1. Headrail | 7. Clear Pocket and Ferrule | 13. Acrylic Rod |
| 2. Headrail End Cap | 8. Clear Stop Ball | 14. Bottom Rail |
| 3. Pocket & Ferrule | 9. Tassel Cord | 15. Bottom Rail End Cap |
| 4. Cord Guide | 10. Designer Tassel | 16. Ultrawear® Cord |
| 5. Cordlock Body | 11. Fabric | 17. Rail Weight |
| 6. Cordlock Cover | 12. Filler Strip | 18. Washer |

Duette® Angle Top

No.	PCN	Description
1.	2250010xxx	Headrail (3/8")
	2270010xxx	Headrail (3/4", Double, & Triple Honeycomb)
2.	2250025xxx	Headrail End Cap RH (3/8")
	2250035xxx	Headrail End Cap LH (3/8")
	2270025xxx	Headrail End Cap RH (3/4", Double, & Triple Honeycomb)
	2270035xxx	Headrail End Cap LH (3/4", Double, & Triple Honeycomb)
3.	3200155xxx	Pocket & Ferrule
4.	2950100000	Cord Guide (3/8")
	2970300000	Cord Guide (3/4", Double, & Triple Honeycomb)
5.	2950067000	Cordlock Body RH (3/8")
	2950068000	Cordlock Body LH (3/8")
	2970067000	Cordlock Body RH (3/4", Double, & Triple Honeycomb)
	2970068000	Cordlock Body LH (3/4", Double, & Triple Honeycomb)
6.	2250075xxx	Cordlock Cover RH (3/8")
	2250085xxx	Cordlock Cover LH (3/8")
	2270075xxx	Cordlock Cover RH (3/4", Double, & Triple Honeycomb)
	2270085xxx	Cordlock Cover LH (3/4", Double, & Triple Honeycomb)
7.	3200156000C	Clear Pocket and Ferrule (2-rout Shades Only)
8.	2930562000	Clear Stopball
9.	2930320xxx	2.2 mm Tassel Cord
10.	Designer Tassel	
	2931556xxx	Cover
	2931555000	Base
11.	N/A	Fabric (3/8", 3/4", Double & Triple Honeycomb)
12.	2954000000	Filler Strip (3/8")
	2974000000	Filler Strip (3/4", Double, & Triple Honeycomb)
13.	2980056000	Acrylic Rod
14.	2971632xxx	Bottom Rail (3/8")
	2971640xxx	Bottom Rail (3/4", Double, & Triple Honeycomb)
15.	2982015xxx	Bottom Rail End Cap (3/8")
	2982017xxx	Bottom Rail End Cap (3/4", Double, & Triple Honeycomb)
16.	2679000000	0.9 mm Ultrawear® Cord
17.	2982028000	Rail Weight (*used only if needed)
18.	2930130000	Washer

xxx = 3-digit color code