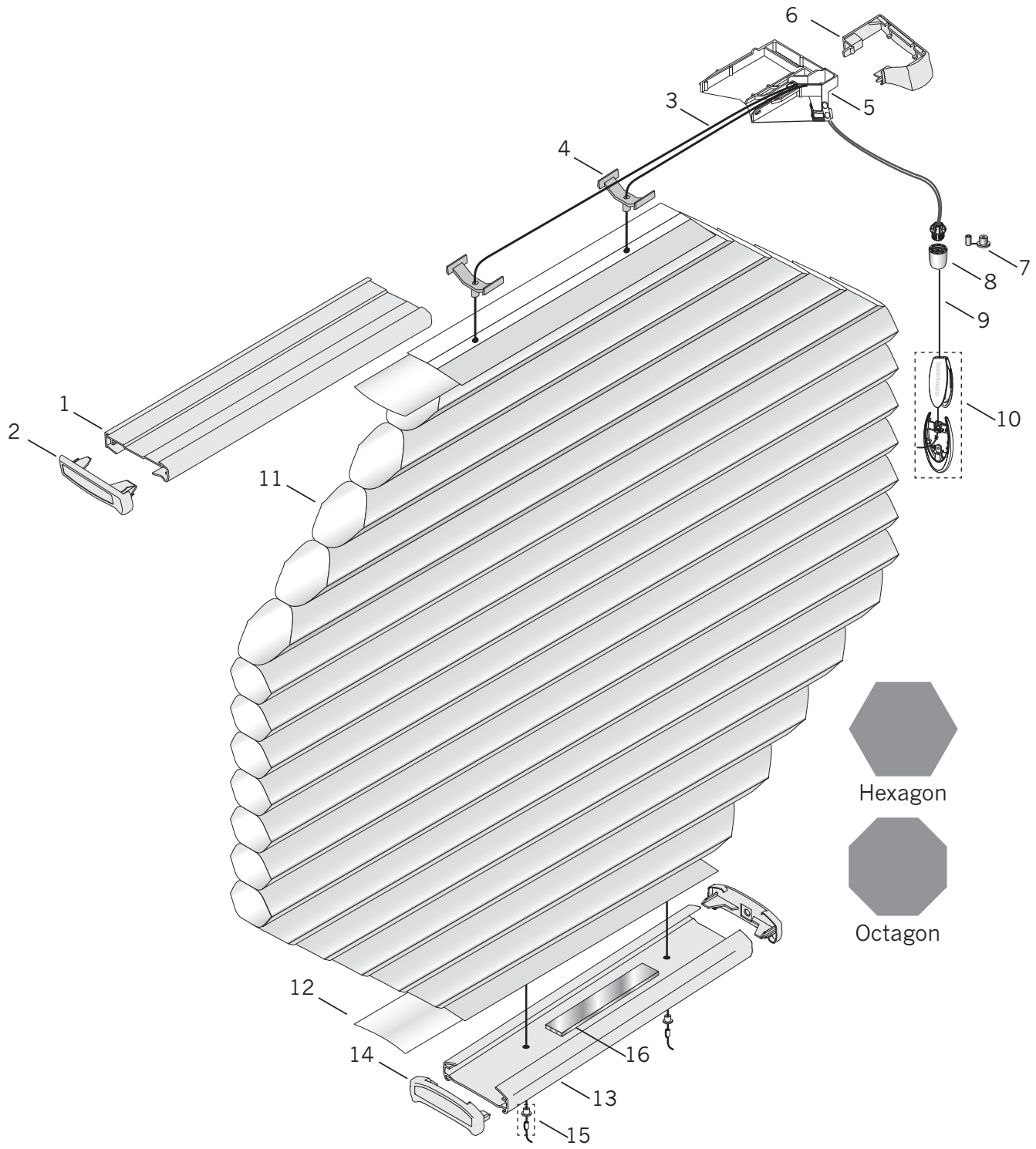


Duette® Octagon-Hexagon (Operating)



Standard Parts

- | | | |
|---------------------|-----------------------------|-------------------------|
| 1. Headrail | 6. Cordlock Cover | 11. Fabric |
| 2. Headrail End Cap | 7. Clear Pocket and Ferrule | 12. Filler Strip |
| 3. Ultrawear® Cord | 8. Clear Stop Ball | 13. Bottom Rail |
| 4. Cord Guide | 9. Tassel Cord | 14. Bottom Rail End Cap |
| 5. Cordlock Body | 10. Designer Tassel | 15. Pocket & Ferrule |

Duette® Octagon-Hexagon (Operating)

No.	PCN	Description
1.	Headrail 2250010xxx 2270010xxx	$\frac{3}{8}$ " $\frac{3}{4}$ ", Double, & Triple Honeycomb
2.	Headrail End Cap 2250025xxx 2250035xxx 2270025xxx 2270035xxx	RH ($\frac{3}{8}$ ") LH ($\frac{3}{8}$ ") RH ($\frac{3}{4}$ ", Double, & Triple Honeycomb) LH ($\frac{3}{4}$ ", Double, & Triple Honeycomb)
3.	2679000000	0.9 mm Ultrawear® Cord
4.	Cord Guide 2950100000 2970300000	$\frac{3}{8}$ " $\frac{3}{4}$ ", Double, & Triple Honeycomb
5.	Cordlock Body 2950067000 2950068000 2970067000 2970068000	RH ($\frac{3}{8}$ ") LH ($\frac{3}{8}$ ") RH ($\frac{3}{4}$ ", Double, & Triple Honeycomb) LH ($\frac{3}{4}$ ", Double, & Triple Honeycomb)
6.	Cordlock Cover 2250075xxx 2250085xxx 2270075xxx 2270085xxx	RH ($\frac{3}{8}$ ") Cordlock Cover LH ($\frac{3}{8}$ ") Cordlock Cover RH ($\frac{3}{4}$ ", Double, & Triple Honeycomb) Cordlock Cover LH ($\frac{3}{4}$ ", Double, & Triple Honeycomb)
7.	3200156000C	Clear Pocket and Ferrule (2-rout Shades Only)
8.	2930562000	Clear Stopball
9.	2930320xxx	2.2 mm Tassel Cord
10.	Designer Tassel 2931556xxx 2931555000	Cover Base
11.	N/A	Fabric ($\frac{3}{8}$ ", $\frac{3}{4}$ ", Double & Triple Honeycomb)
12.	Filler Strip 2954000000 2974000000	$\frac{3}{8}$ " $\frac{3}{4}$ ", Double, & Triple Honeycomb
13.	Bottom Rail 2971632xxx 2971640xxx	$\frac{3}{8}$ " Bottom Rail ($\frac{3}{4}$ ", Double, & Triple Honeycomb)
14.	Bottom Rail End Cap 2982015xxx 2982017xxx	$\frac{3}{8}$ " $\frac{3}{4}$ ", Double, & Triple Honeycomb
15.	3200155xxx	Pocket & Ferrule
16.	2982028000	Rail Weight (used only if needed)

xxx = 3-digit color code