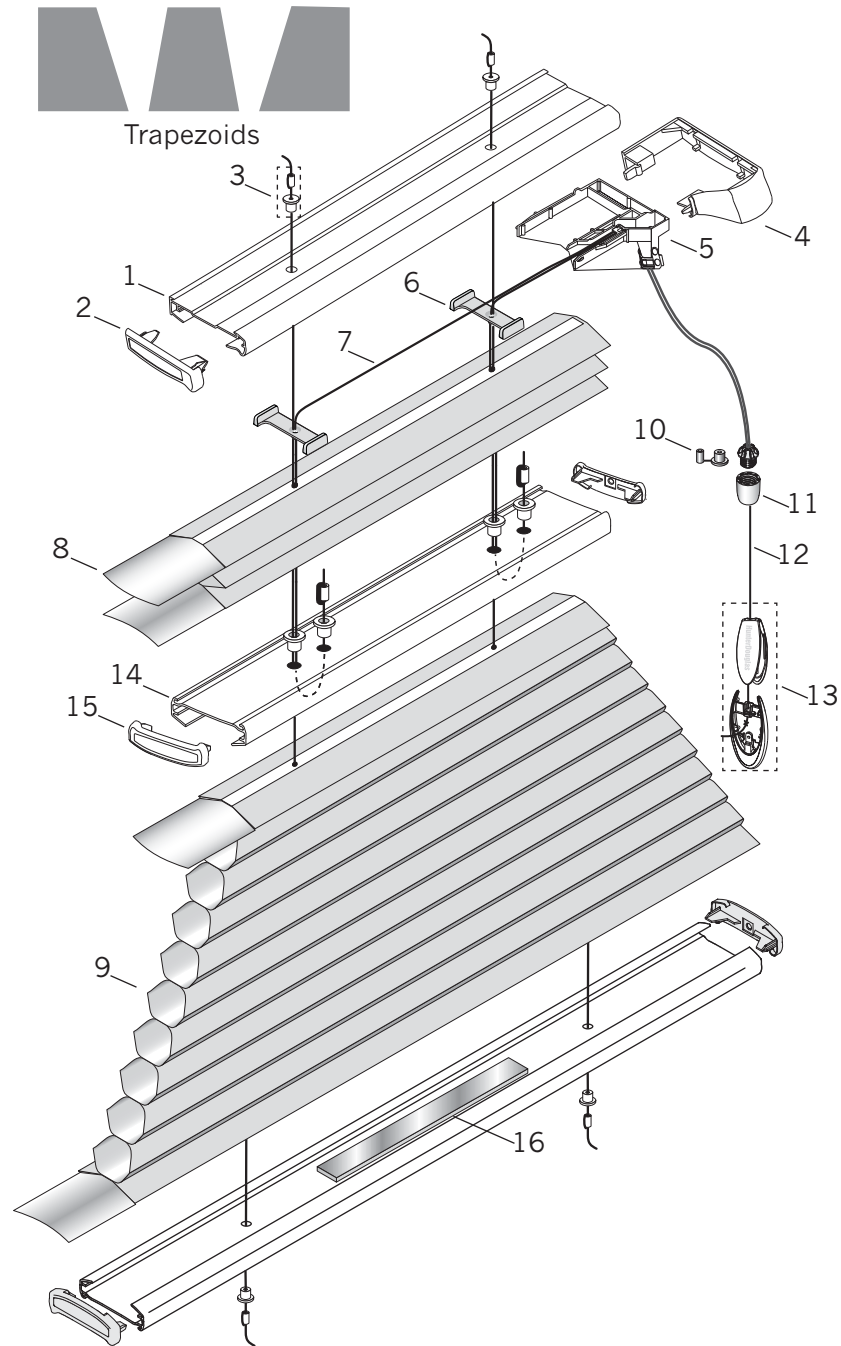


Duette® Top-Down Trapezoid



Standard Parts

- | | | |
|---------------------|------------------------------|-------------------------|
| 1. Headrail | 7. Ultrawear® Cord | 13. Designer Tassel |
| 2. Headrail End Cap | 8. Filler Strip | 14. Bottom Rail |
| 3. Pocket & Ferrule | 9. Fabric | 15. Bottom Rail End Cap |
| 4. Cordlock Cover | 10. Clear Pocket and Ferrule | 16. Rail Weight |
| 5. Cordlock Body | 11. Clear Stop Ball | |
| 6. Cord Guide | 12. Tassel Cord | |

Duette® Top-Down Trapezoid

No.	PCN	Description
1.	Headrail 2250010xxx 2270010xxx	$\frac{3}{8}$ " $\frac{3}{4}$ ", Double, & Triple Honeycomb
2.	Headrail End Cap 2250025xxx 2250035xxx 2270025xxx 2270035xxx	RH ($\frac{3}{8}$ ") LH ($\frac{3}{8}$ ") RH ($\frac{3}{4}$ ", Double, & Triple Honeycomb) LH ($\frac{3}{4}$ ", Double, & Triple Honeycomb)
3.	3200155xxx	Pocket & Ferrule
4.	Cordlock Cover 2250075xxx 2250085xxx 2270075xxx 2270085xxx	RH ($\frac{3}{8}$ ") LH ($\frac{3}{8}$ ") RH ($\frac{3}{4}$ ", Double, & Triple Honeycomb) LH ($\frac{3}{4}$ ", Double, & Triple Honeycomb)
5.	Cordlock Body 2950094000 2950095000 2970094000 2970095000	RH ($\frac{3}{8}$ ") LH ($\frac{3}{8}$ ") RH ($\frac{3}{4}$ " & Double Honeycomb) LH ($\frac{3}{4}$ " & Double Honeycomb)
6.	Cord Guide 2950100000 2970300000	$\frac{3}{8}$ " $\frac{3}{4}$ ", Double, & Triple Honeycomb
7.	2680000000	0.9 mm Ultrawear® Cord
8.	Filler Strip 2954000000 2974000000	$\frac{3}{8}$ " $\frac{3}{4}$ ", Double, & Triple Honeycomb
9.	N/A	Fabric ($\frac{3}{8}$ ", $\frac{3}{4}$ ", Double, & Triple Honeycomb)
10.	3200156000C	Clear Pocket and Ferrule (2-rout Shades Only)
11.	2930562000	Clear Stopball
12.	2930320xxx	2.2 mm Tassel Cord
13.	Designer Tassel 2931556xxx 2931555000	Cover Base
14.	Bottom Rail 2971632xxx 2971640xxx	$\frac{3}{8}$ " $\frac{3}{4}$ ", Double, & Triple Honeycomb
15.	Bottom Rail End Cap 2982015xxx 2982017xxx	$\frac{3}{8}$ " $\frac{3}{4}$ ", Double, & Triple Honeycomb
16.	2982028000	Rail Weight (used only if needed)

xxx = 3-digit color code