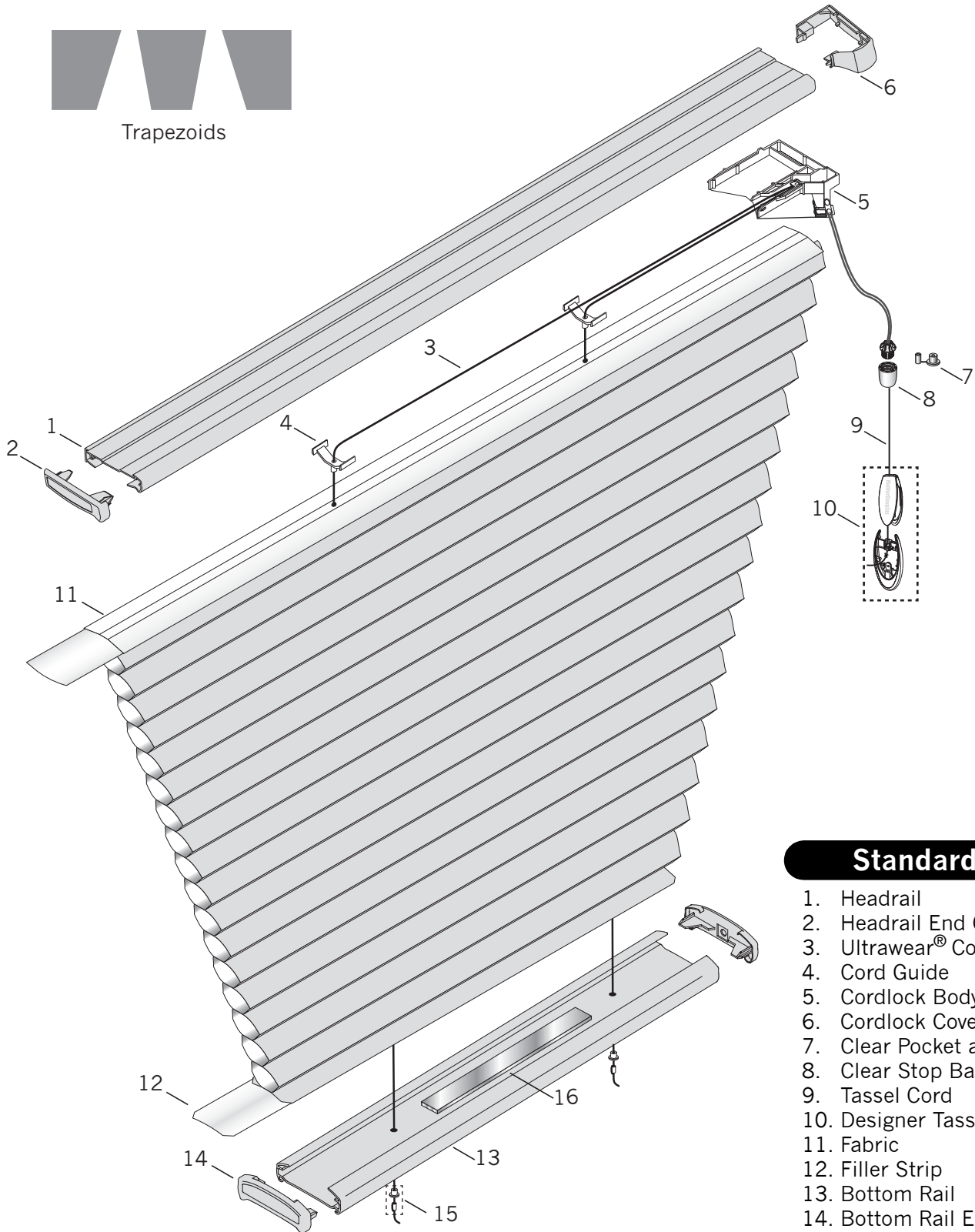


Duette® Trapezoid



Trapezoids



Standard Parts

1. Headrail
2. Headrail End Cap
3. Ultrawear® Cord
4. Cord Guide
5. Cordlock Body
6. Cordlock Cover
7. Clear Pocket and Ferrule
8. Clear Stop Ball
9. Tassel Cord
10. Designer Tassel
11. Fabric
12. Filler Strip
13. Bottom Rail
14. Bottom Rail End Cap
15. Washer
16. Rail Weight

Duette® Trapezoid

No.	PCN	Description
1.	Headrail	
	2250010xxx	3/8"
	2270010xxx	3/4", Double, & Triple Honeycomb
2.	Headrail End Cap	
	2250025xxx	RH (3/8")
	2250035xxx	LH (3/8")
	2270025xxx	RH (3/4", Double, & Triple Honeycomb)
	2270035xxx	LH (3/4", Double, & Triple Honeycomb)
3.	2679000000	0.9 mm Ultrawear® Cord
4.	Cord Guide	
	2950100000	3/8"
	2970300000	3/4", Double, & Triple Honeycomb
5.	Cordlock Body	
	2950067000	RH (3/8")
	2950068000	LH (3/8")
	2970067000	RH (3/4", Double, & Triple Honeycomb)
	2970068000	LH (3/4", Double, & Triple Honeycomb)
6.	Cordlock Cover	
	2250075xxx	RH (3/8")
	2250085xxx	LH (3/8")
	2270075xxx	RH (3/4", Double, & Triple Honeycomb)
	2270085xxx	LH (3/4", Double, & Triple Honeycomb)
7.	3200156000C	Clear Pocket and Ferrule (2-rout Shades Only)
8.	2930562000	Clear Stopball
9.	2930320xxx	2.2 mm Tassel Cord
10.	Designer Tassel	
	2931556xxx	Cover
	2931555000	Base
11.	N/A	Fabric (3/8", 3/4", Double & Triple Honeycomb)
12.	Filler Strip	
	2954000000	3/8"
	2974000000	3/4", Double, & Triple Honeycomb
13.	Bottom Rail	
	2971632xxx	3/8"
	2971640xxx	3/4", Double, & Triple Honeycomb
14.	Bottom Rail End Cap	
	2982015xxx	3/8"
	2982017xxx	3/4", Double, & Triple Honeycomb
15.	3200155xxx	Pocket & Ferrule
16.	2982028000	Rail Weight (used only if needed)

xxx = 3-digit color code