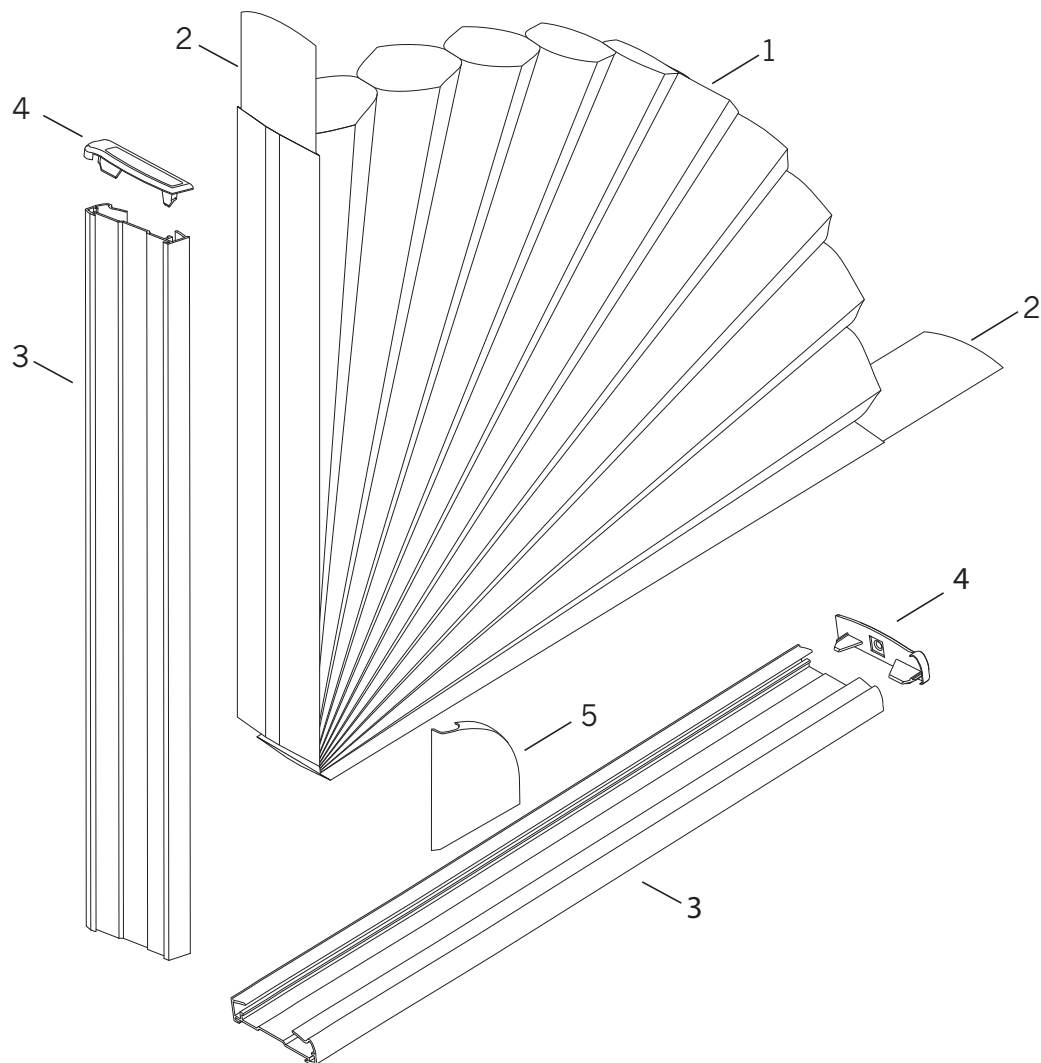


Duette® Quarter Circle



Standard Parts

1. Fabric
2. Filler Strip
3. Headrail
4. Headrail End Cap

Optional:

5. Duette® Disc Quarter Circle Cover

Duette® Quarter Circle

No.	PCN	Description
1.	N/A	Fabric ($\frac{3}{8}$ ", $\frac{3}{4}$ ", & Triple Honeycomb)
2.	2954000000	Filler Strip ($\frac{3}{8}$ ")
	2974000000	Filler Strip ($\frac{3}{4}$ " & Triple Honeycomb)
3.	2250010xxx	Headrail ($\frac{3}{8}$ ")
	2270010xxx	Headrail ($\frac{3}{4}$ " & Triple Honeycomb)
4.	2250025xxx	Headrail End Cap RH ($\frac{3}{8}$ ")
	2250035xxx	Headrail End Cap LH ($\frac{3}{8}$ ")
	2270025xxx	Headrail End Cap RH ($\frac{3}{4}$ " & Triple Honeycomb)
	2270035xxx	Headrail End Cap LH ($\frac{3}{4}$ " & Triple Honeycomb)
Optional:		
5.	2280612000	Duette® Disc Quarter Circle Cover

* Triple Honeycomb available as perfect quarter circles only

Additional Hardware:

(For pictures & specifics, see Duette® Specialty Shapes Additional Hardware)

2980038000	Specialty End Mount Bracket ($\frac{3}{8}$ ")
2980050000	Specialty End Mount Bracket ($\frac{3}{4}$ " & Triple Honeycomb)
2980039000	Arch Support Clip

xxx = 3-digit color code