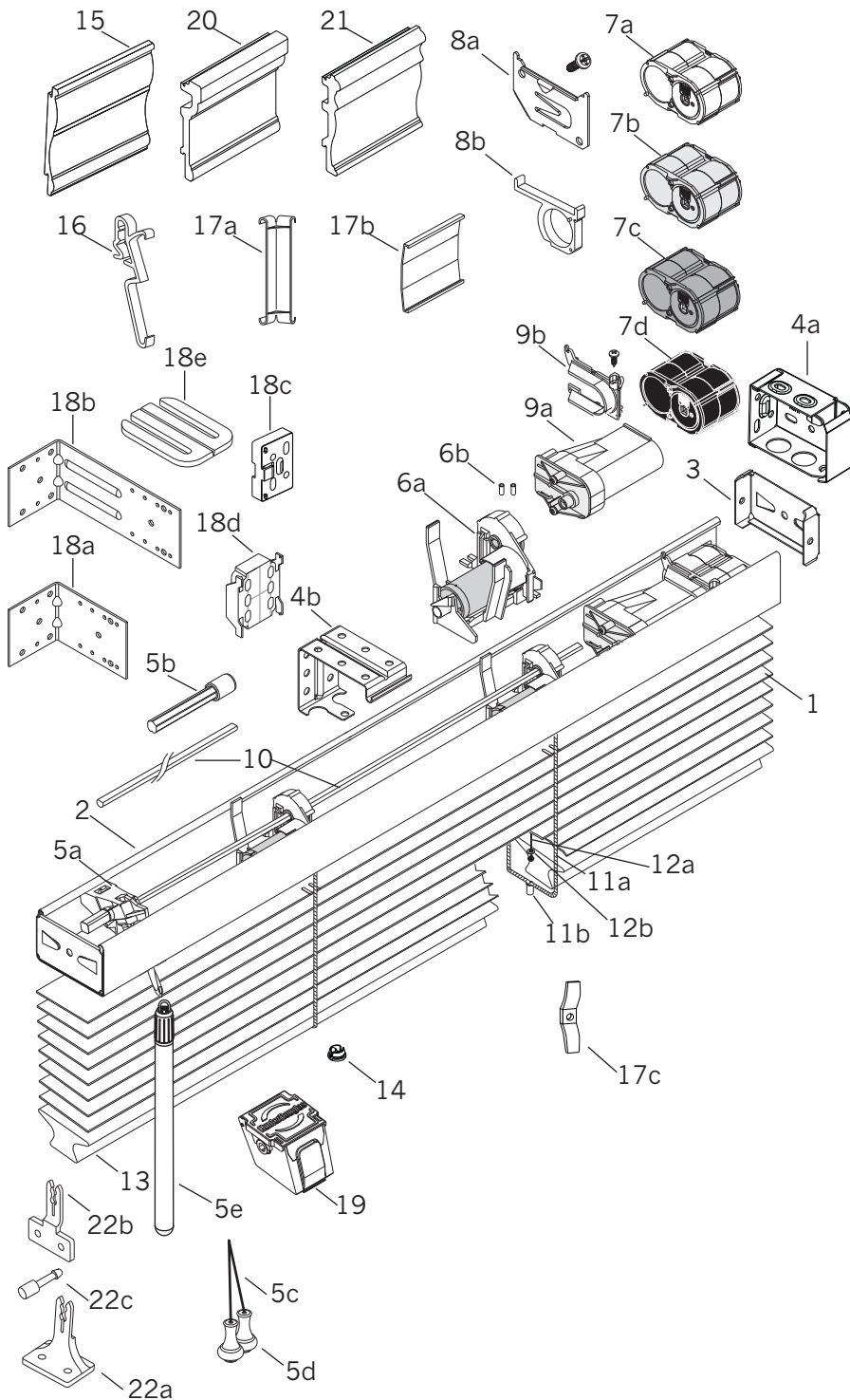


2" EverWood® with LiteRise®



Standard Parts

1. Slat
2. Headrail
3. Headrail End Lock
- 4a. Installation Bracket
- 4b. Intermediate Support Bracket
- 5a. Wand Tilter
- 5b. Tilter Adapter D-Rod
- 5c. Polyester Cord 1.4mm
- 5d. Wood Tassel
- 5e. Wood Wand
- 6a. LiteRise® 2" Lift and Tilt Roll Assembly
- 6b. "X" Tape Locator Grommet
- 7a. LiteRise C2 Motor – Natural
- 7b. LiteRise C2 Motor – Gray
- 7c. LiteRise C2 Motor – Red
- 7d. LiteRise C2 Motor – Black
- 8a. 2" LiteRise Motor Clamp
- 8b. Motor Spacer
- 9a. LiteRise C2 Transmission
- 9b. LiteRise C2 Transmission Adaptor
10. Tiltrod
- 11a. No Loop Cable Tape
- 11b. 2" Cable Tape Grommet
- 12a. Lift Cord 0.9mm
- 12b. Lift Cord Grommet
13. Bottom Rail
14. Tape Button
15. Valance
16. Valance Clip
- 17a. Valance Corner Key
- 17b. Valance Splice Clip
- 17c. Child Safety Kit (Cord Cleat)

Optional Parts

- 18a. Short Extension Bracket
- 18b. Long Extension Bracket
- 18c. Spacer Block (Bracket)
- 18d. Spacer Block (Support Bracket)
- 18e. Bracket Shim
19. Cord Tilter
20. RidgeCrest Valance
21. Sommerfield Valance
- 22a. Hold-Down Bracket (Sill)
- 22b. Hold-Down Bracket (Jamb)
- 22c. Hold-Down Pin

2" EverWood® with LiteRise®

No.	PCN	Description	Optional Parts:	
1.	7002499xxx	2" EverWood® Slat	18a. 5003167000	Low Profile Short Extension Bracket
2.	5003006xxx	2" Low Profile Headrail		
3.	5003655000	2" Low Profile Headrail End Lock	18b. 5003168000	Low Profile Long Extension Bracket
4a.	5003046xxx	2" Low Profile Installation Bracket	18c. 5003142000	Spacer Block (2" LP Bracket)
4b.	5003158000	2" Low Profile Intermediate Support Bracket	18d. 5003156000	Spacer Block (2" LP Support Bracket)
5a.	5003768000	2" Low Profile Wand Tilter	18e. 7007069000	1/8" Bracket Shim
5b.	5003872000	2" Low Profile Tilter Adapter – D-Rod	19. 50038874000	2" Low Profile Cord Tilter EPIC™
5c.	5009075xxx	1.4 mm Polyester Cord	20. 7005198xxx	RidgeCrest Valance
5d.	GTxxx	Wood Tassel	21. 7005298xxx	Sommerfield Valance
5e.	WDA24xxx	24" Wood Wand Assembly	22a. 7007075000	2" Hold-Down Bracket (Sill)
	WDA30xxx	30" Wood Wand Assembly	22b. 7007076000	2" Hold-Down Bracket (Jamb)
	WDA36xxx	36" Wood Wand Assembly		
	WDA48xxx	48" Wood Wand Assembly	22c. 5007307000	Hold-Down Pin
6a.	7300155000	LiteRise® 2" Lift and Tilt Roll Assembly (with Hole)	xxx = 3-digit color code	
6b.	5008047000	"X" Tape Locator Grommet (Top)		
7a.	7300117000	LiteRise C2 Motor (Natural)		
7b.	7300119000	LiteRise C2 Motor (Gray)		
7c.	7300187000	LiteRise C2 Motor (Red)		
7d.	7300120000	LiteRise C2 Motor (Black)		
8a.	7300139000	2" LiteRise Motor Clamp		
8b.	7300180000	2" LiteRise Motor Spacer (for use on blinds with 2 or more motors)		
9a.	7300185000	LiteRise C2 Transmission (Natural)		
9b.	7300132000	LiteRise C2 Transmission Adaptor with Screws		
10.	5908027000	"D" Tiltrod (1 each for tilt and lift)		
11a.	5003074xxx	No Loop Cable Tape Ladder – 44mm		
11b.	5003308000	2" Cable Tape Grommet (Bottom)		
12a.	5009077xxx	0.9 mm Lift Cord		
12b.	5008083000	Lift Cord Grommet		
13.	7003100xxx	High Profile EverWood Bottom Rail		
14.	7004034xxx	Wood Tape Button – 2"		
15.	7005396xxx	EverWood Grandover Valance		
16.	7007845000	Universal Valance Clip		
17a.	7007444000	Universal Valance Corner Key		
17b.	7007541000	Valance Splice Clip		
17c.	2980246000	Child Safety Kit (Cord Cleat)		