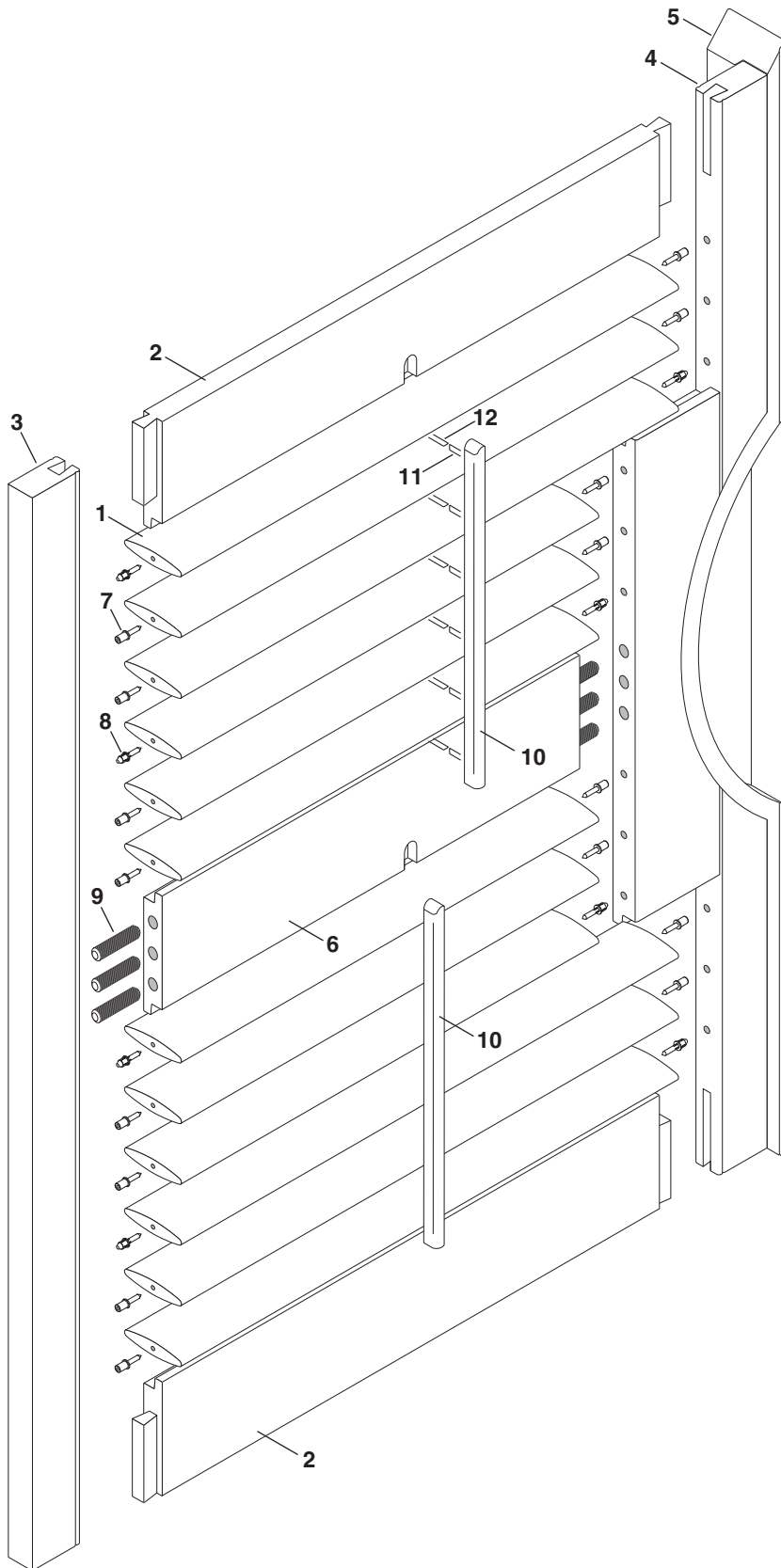


Shutter Panel — French Door Cut-Out



Standard Parts

1. Louver
2. Top/Bottom Rail
3. Stile
4. French Door Cut-Out Stile Assembly
5. French Door Frame Cut-Out
6. Divider Rail
7. Louver Pin
8. Tension Louver Pin
9. Dowel
10. Tilt Bar
11. Staples – Tilt Bar
12. Staples – Louver

Shutter Panel — French Door Cut-Out

No.	PCN	Description	Component Colors	
1.	WSL01xxx	2.5" Louver	701	Bright White
	WSL02xxx	3.5" Louver	708	Eggshell
	WSL03xxx	4.5" Louver	709	Linen
2.	WSR05xxx	Top/Bottom Rail	704	Golden Oak
3.	WSS01xxx	Rectangular Stile 2.5"	770	Warm Cherry
	WSS03xxx	Rectangular Stile 3.5"	Hinge Colors	
	WSS07xxx	Rectangular stile 4.5"	006	Brass
	WSS08xxx	Rabbeted stile 4.5"	007	Antique Brass
4.	WSF14xxx	French Door Cut-Out Stile Assembly 2.5" Left	008	Nickel
	WSF15xxx	French Door Cut-Out Stile Assembly 2.5" Right	009	White
	WSF16xxx	French Door Cut-Out Stile Assembly 3.5" Left	010	Off White
	WSF17xxx	French Door Cut-Out Stile Assembly 3.5" Right	011	Stainless Steel
			022	Venetian Bronze
			023	Satin Black
5.	WSF13xxx	French Door Frame Cut-Out	Rear Tilt Bar Colors	
6.	WSR01xxx	Divider Rail 2.5"/4.5"	009	Bright White
	WSR03xxx	Divider Rail 3.5"	010	Off White
7.	WHP01001	Louver Pin	012	Warm Cherry
8.	WHP02001	Tension Louver Pin	013	Golden Oak
9.	WHD01000	Dowel 10mm x 50mm	014	Buttercup
10.	WST01xxx	Tilt Bar	015	Gentle Taupe
	WHR01xxx	Rear Tilt Bar 2.5"	016	Black Coffee
	WHR02xxx	Rear Tilt Bar 3.5"	017	Cabernet
	WHR03xxx	Rear Tilt Bar 4.5"	018	Coffee
11.	WHS01001	Galvanized Staples ¼" Crown x ⅝" – Tilt Bar	019	Dark Chocolate
			020	Holly
12.	WHS01002	Galvanized Staples ¼" Crown x ⅞" – Louver	021	Milk Chocolate

xxx = 3-digit color code