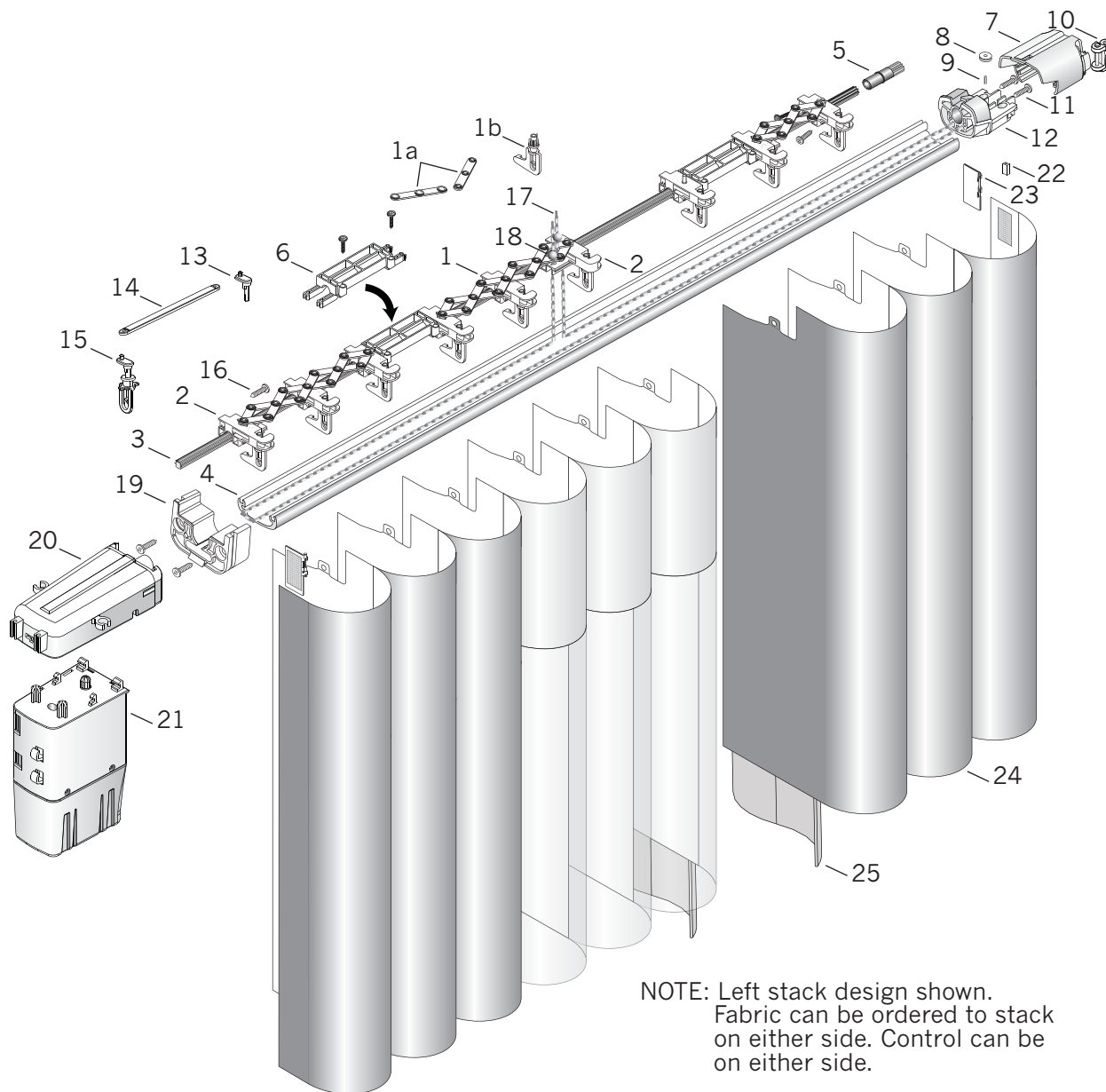


PowerGlide® Motorized Offset Stack Returns To The Wall



NOTE: Left stack design shown.
Fabric can be ordered to stack on either side. Control can be on either side.

Standard Parts

- | | | |
|----------------------------------------------------------------|---------------------------------------------|--------------------------------------------------|
| 1. Fabric Carrier Group Assembly w/ Tilt Reduction Pinion Clip | 8. End Cap Wheel | 16. Square Head Hi-Lo (Stationary Carrier) Screw |
| 1a. Scissors (Male and Female) | 9. Active Center SS Dowel Pin | 17. Bead Chain |
| 1b. Tilt Reduction Pinion Clip | 10. Cover Extension | 18. Split Bead Chain Clip (Chain Clip) |
| 2. Center Draw (Split Draw) Carrier Assembly | 11. Square Pan Head Tapping (End Cap) Screw | 19. Rail Adaptor (Motor Mount) |
| 3. Tilt Rod Extrusion - 16' | 12. Universal Bulkhead Body | 20. Drive Assembly |
| 4. Headrail - 16' | 13. Connector Arm | 21. Motor Assembly |
| 5. Tilt Drive Gear | 14. Link | 22. Swivel Catch |
| 6. Traverse Lock | 15. RTTW Tilt Clip With Connector Arm | 23. End Treatment Swivel Plate |
| 7. Universal Bulkhead Cover | | 24. Luminette® Fabric |
| | | 25. Contour Vane |

PowerGlide® Motorized Offset Stack Returns To The Wall

No.	PCN	Description
1.	4250355000	Fabric Carrier Group Assembly ^{w/} Tilt Reduction Pinion Clip
1a.	4250076000	Scissors (Male and Female)
1b.	4250142000	Tilt Reduction Pinion Clip
2.	Center Draw (Split Draw) Carrier Assembly	
	4250345000	RH
	4250350000	LH
3.	Tilt Rod Extrusion – 16'	
	4250470000	Aluminum
	4250360000	Brass
4.	4250010xxx	Headrail – 16'
5.	4250058000	Tilt Drive Gear
6.	4255191000	Traverse Lock
7.	4250012xxx	Universal Bulkhead Cover
8.	4250042000	End Cap Wheel
9.	4250102000	Active Center SS Dowel Pin 3/32" x 0.375"
10.	4254127xxx	Cover Extension
11.	4250212000	#6 x 1/2" Square Pan Head Tapping (End Cap) Screw
12.	4250011xxx	Universal Bulkhead Body
13.	4254240000	Connector Arm
14.	4254230000	Link
15.	4254240126	RTTW Tilt Clip With Connector Arm
16.	4250146000	Square Head Hi-Lo 6-19 x 3/4" (Stationary Carrier) Screw
17.	4254117000	Bead Chain
18.	4254124000	Split Bead Chain Clip (Chain Clip)
19.	4254270xxx	Rail Adaptor (Motor Mount)
20.	4254210126	Drive Assembly
21.	4254220000	Motor Assembly
22.	4254128xxx	Swivel Catch
23.	End Treatment Swivel Plate	
	4250120xxx	RH
	4250121xxx	LH
24.	N/A	Luminette® Fabric
25.	Contour Vane	
	4255196126	White
	4255196000	Clear

xxx = 3-digit color code