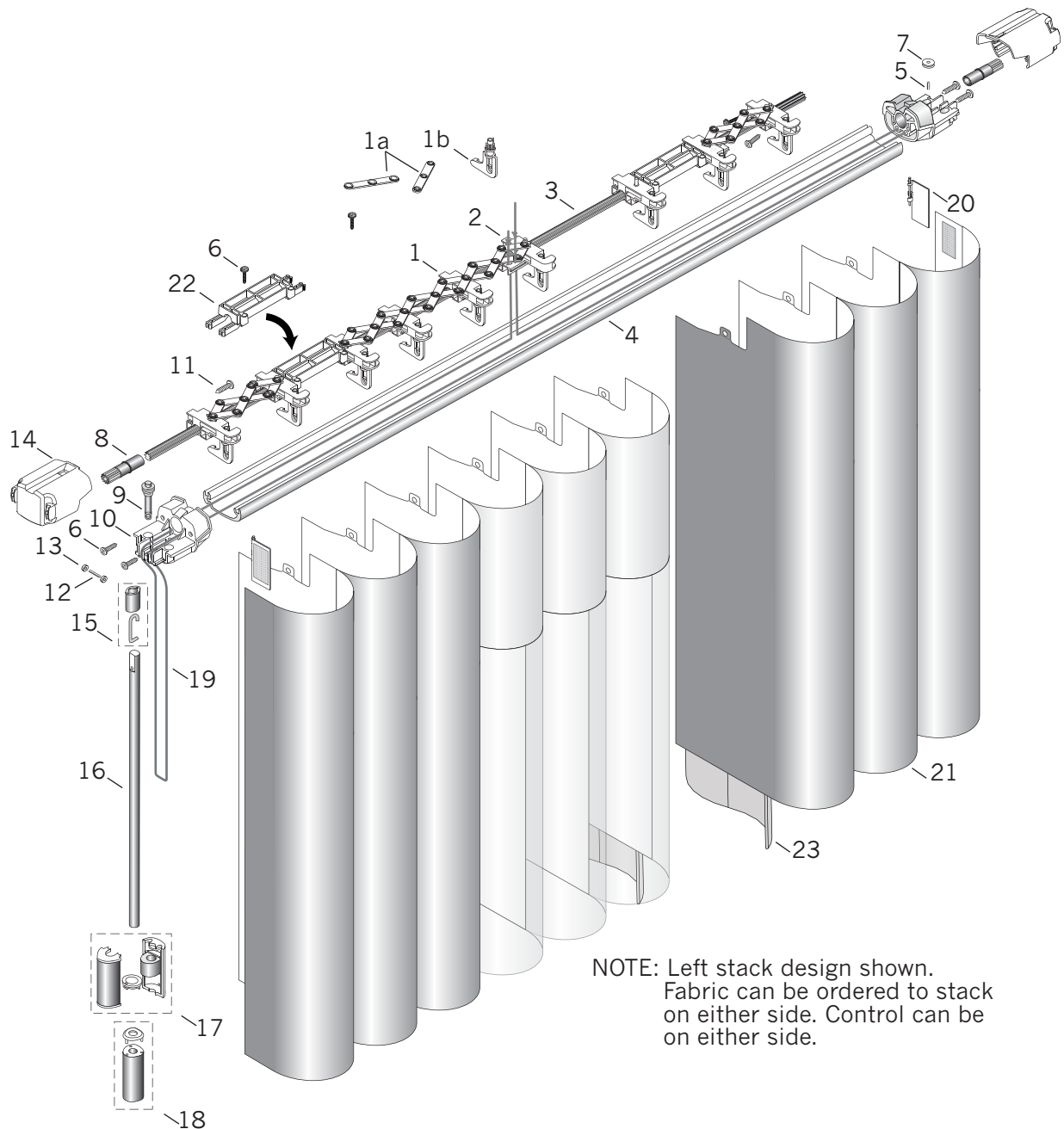


Luminette® Offset Stack



Standard Parts

- | | | |
|----------------------------------|---|---|
| 1. Fabric Carrier Group Assembly | 8. Tilt Drive Gear | 17. Weighted Tether Control |
| 1a. Scissors | 9. Tilt Drive Worm Gear | 18. Wand Handle & Cover |
| 1b. Tilt Reduction Pinion Clip | 10. Universal Bulkhead Body | 19. Cord |
| 2. Lead Carrier Assembly | 11. Square Head Hi-Lo Screw | 20. End Treatment Swivel Plate Assembly |
| 3. Tilt Rod Extrusion | 12. Active SS Dowel Pin | 21. Fabric |
| 4. Headrail | 13. Cord Pulley | 22. Traverse Lock |
| 5. SS Dowel Pin | 14. Universal Bulkhead Cover | 23. Contour Vane |
| 6. Square Pan Head Screw | 15. Wand Hook with Hook Cover | |
| 7. End Cap Wheel | 16. Wand | |
| | 17. Weighted Tether Control | |
| | 18. Wand Handle & Cover | |
| | 19. Cord | |
| | 20. End Treatment Swivel Plate Assembly | |
| | 21. Fabric | |
| | 22. Traverse Lock | |
| | 23. Contour Vane | |

Luminette® Offset Stack

No.	PCN	Description
1.	4250355000	Fabric Carrier Group Assembly with Tilt Reduction Pinion Clip
1a.	4250076000	Scissors (Male and Female)
1b.	4250142000	Tilt Reduction Pinion Clip
2.	Center Draw (Split Stack) Lead Carrier Assembly	
	4250345000	RH
	4250350000	LH
3.	Tilt Rod Extrusion – 16'	
	4250470000	Aluminum
	4250360000	Brass
4.	4250010xxx	Headrail – 16'
5.	4250102000	Active Center SS Dowel Pin 3/32" x 0.375
6.	4250212000	#6 x 1/2" Square Pan Head Tapping (End Cap) Screw
7.	4250042000	End Cap Wheel
8.	4250058000	Tilt Drive Gear
9.	4250051000	Tilt Drive Worm Gear
10.	4250011xxx	Universal Bulkhead Body
11.	4250146000	Square Head Hi-Lo 6-19 x 3/4" (Stationary Carrier) Screw
12.	4250048000	Active SS Dowel Pin 3/32" x 1/2"
13.	4250047000	Cord Pulley
14.	4250012xxx	Universal Bulkhead Cover
15.	4250062xxx	Wand Hook with Hook Cover
16.	Wand	
	4250090xxx	21" Standard
	4250091xxx	28" Standard
	4250092xxx	38" Standard
	4250093xxx	48" Standard
	4250095xxx	68" Standard
	4250094xxx	58" Non-Standard
	4250096xxx	78" Non-Standard
	4250097xxx	88" Non-Standard
	4250098xxx	96" Non-Standard
	4250110xxx	120" Non-Standard
	4250111xxx	144" Non-Standard
17.	4250150xxx	Weighted Tether Control Assembly
18.	4250107xxx	Wand Handle & Cover
19.	4250050xxx	D26 Cord
20.	End Treatment Swivel Plate Assembly	
	4250120xxx	RH
	4250121xxx	LH
21.	N/A	Luminette® Fabric
22.	4255191000	Traverse Lock
23.	Contour Vane	
	4255196126	White
	4255196000	Clear

xxx = 3 – digit color code