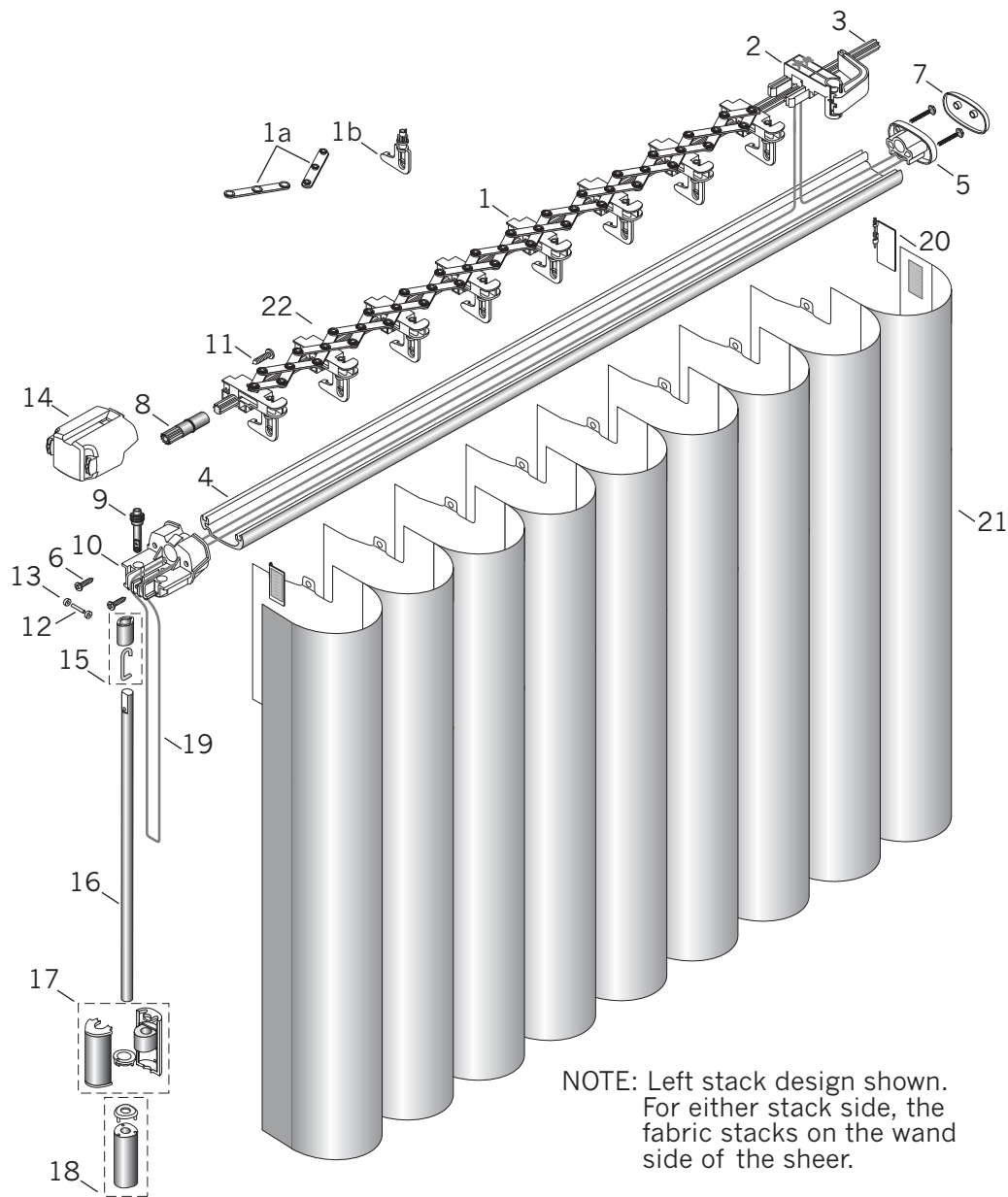


Luminette® Side Stack



NOTE: Left stack design shown.
For either stack side, the
fabric stacks on the wand
side of the sheer.

Standard Parts

- | | | |
|----------------------------------|----------------------------------|--|
| 1. Fabric Carrier Group Assembly | 7. Passive End Cap Cover | 17b. Cord Tether Locking Ring |
| 1a. Scissors | 8. Tilt Drive Gear | 17c. Cord Tether Set Screw |
| 1b. Carrier Body Assembly | 9. Tilt Lock | 18. Wand Handle & Cover |
| 1c. Carrier Body | 10. Universal Bulkhead Body | 19. Cord |
| 1d. Tilt Reduction Pinion Clip | 11. Square Head Hi-Lo Screw | 20. End Treatment Swivel Plate Assembly |
| 2. Lead Carrier Assembly | 12. Active SS Dowel Pin | 21. Fabric |
| 3. Tilt Rod Extrusion | 13. Cord Pulley | 21a. Fabric Vane |
| 4. Headrail | 14. Universal Bulkhead Cover | 21b. Fabric Face |
| 5. Passive End Cap Assembly | 15. Wand Hook with Hook Cover | 21c. Fabric Valance |
| 5a. SS Dowel Pin | 16. Wand | 21d. Fabric End Treatment |
| 5b. End Cap Wheel | 17. Weighted Tether Control | 21e. Polytab |
| 6. Square Pan Head Screw | 17a. Cord Tether Weight Assembly | |

Luminette® Side Stack

| No. | PCN | Description |
|------------|------------|---|
| 1. | 4250355000 | Fabric Carrier Group Assembly with Tilt Reduction Pinion Clip |
| 1a. | 4250076000 | Scissors (Male and Female) |
| 1b. | 4250142000 | Tilt Reduction Pinion Clip |
| 2. | | Lead Carrier Assembly |
| | 4250127xxx | RH |
| | 4250128xxx | LH |
| 3. | | Tilt Rod Extrusion – 16' |
| | 4250470000 | Aluminum |
| | 4250360000 | Brass |
| 4. | 4250010xxx | Headrail – 16' |
| 5. | 4250108xxx | Passive End Cap Assembly |
| 6. | 4250212000 | #6 x 1/2" Square Pan Head Tapping (End Cap) Screw |
| 7. | 4250109xxx | Passive End Cap Cover |
| 8. | 4250058000 | Tilt Drive Gear |
| 9. | 4255190000 | Tilt Lock |
| 10. | 4250011xxx | Universal Bulkhead Body |
| 11. | 4250146000 | Square Head Hi-Lo 6-19 x 3/4" (Stationary Carrier) Screw |
| 12. | 4250048000 | Active SS Dowel Pin 3/32" x 1/2" |
| 13. | 4250047000 | Cord Pulley |
| 14. | 4250012xxx | Universal Bulkhead Cover |
| 15. | 4250062xxx | Wand Hook with Hook Cover |
| 16. | | Wand |
| | 4250090xxx | 21" Standard |
| | 4250091xxx | 28" Standard |
| | 4250092xxx | 38" Standard |
| | 4250093xxx | 48" Standard |
| | 4250095xxx | 68" Standard |
| | 4250094xxx | 58" Non-Standard |
| | 4250096xxx | 78" Non-Standard |
| | 4250097xxx | 88" Non-Standard |
| | 4250098xxx | 96" Non-Standard |
| | 4250110xxx | 120" Non-Standard |
| | 4250111xxx | 144" Non-Standard |
| 17. | 4250150xxx | Weighted Tether Control Assembly |
| 18. | 4250107xxx | Wand Handle & Cover |
| 19. | 4250050xxx | D26 Cord |
| 20. | | End Treatment Swivel Plate Assembly |
| | 4250120xxx | RH |
| | 4250121xxx | LH |
| 21. | N/A | Luminette® Fabric |

xxx = 3 - digit color code